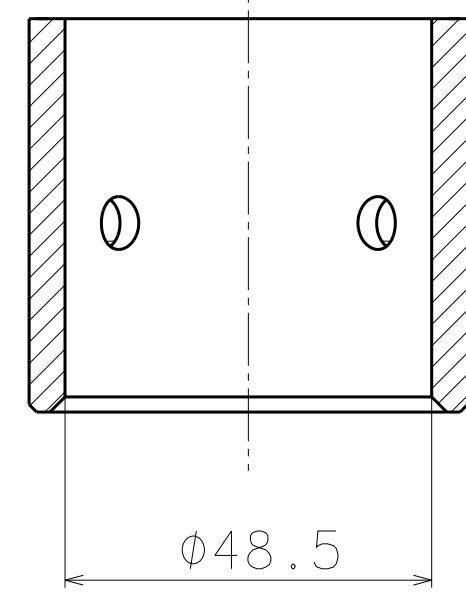
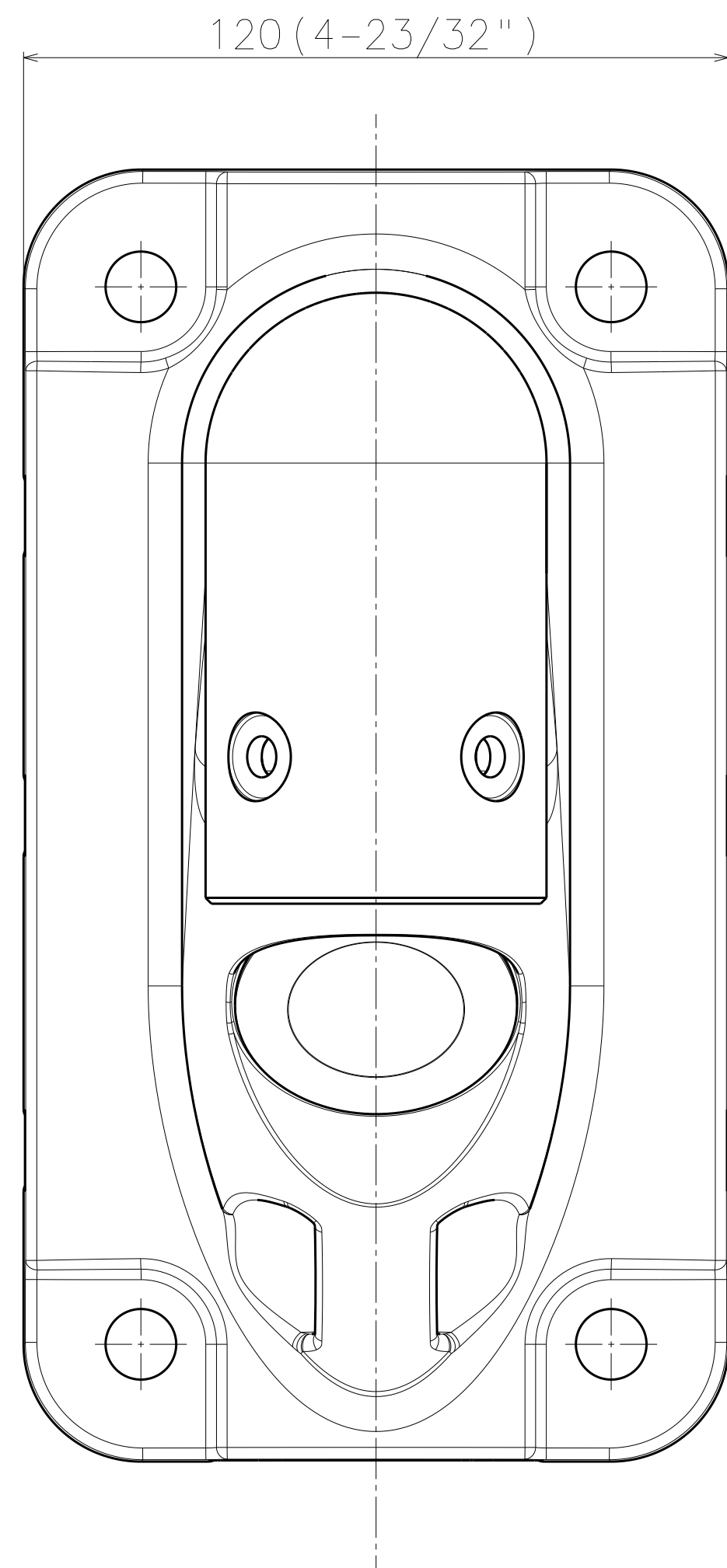
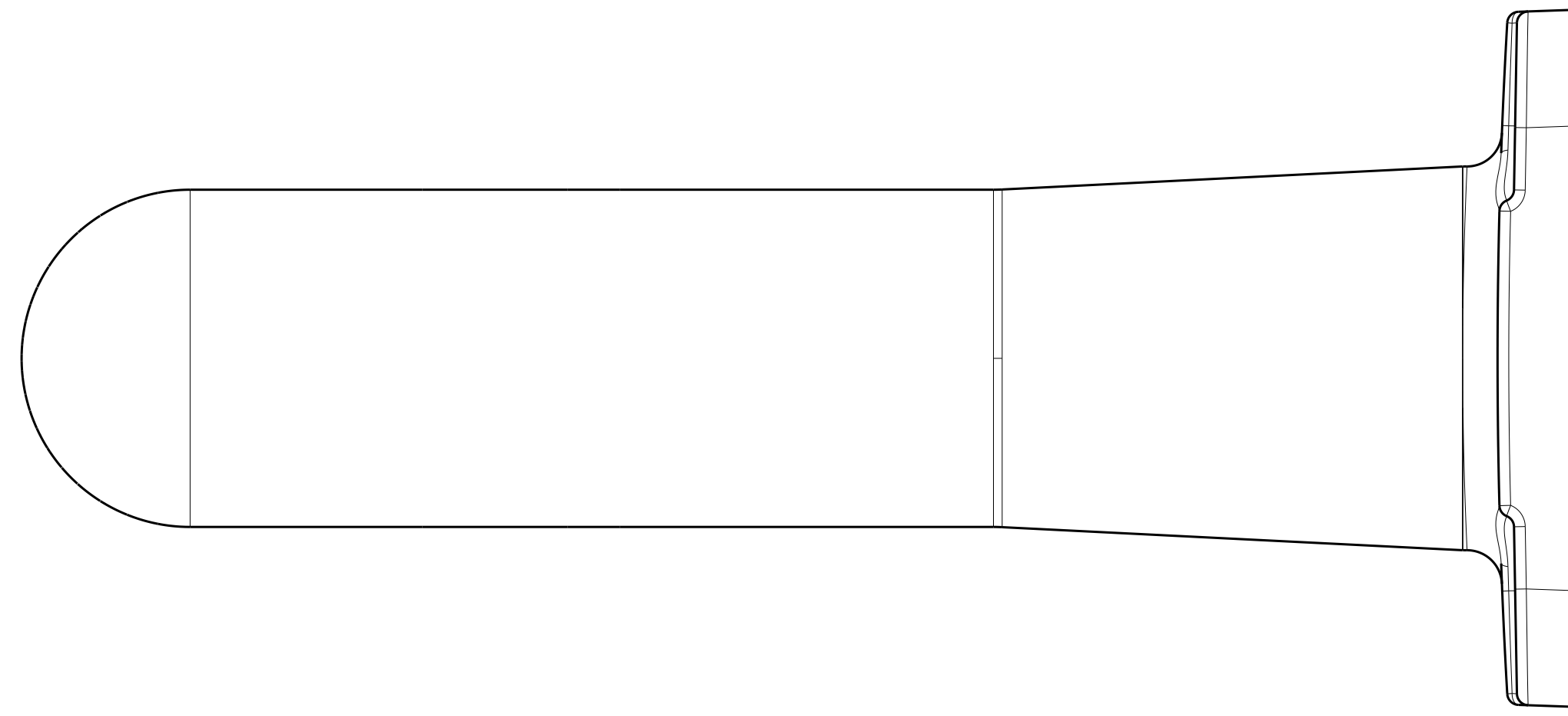
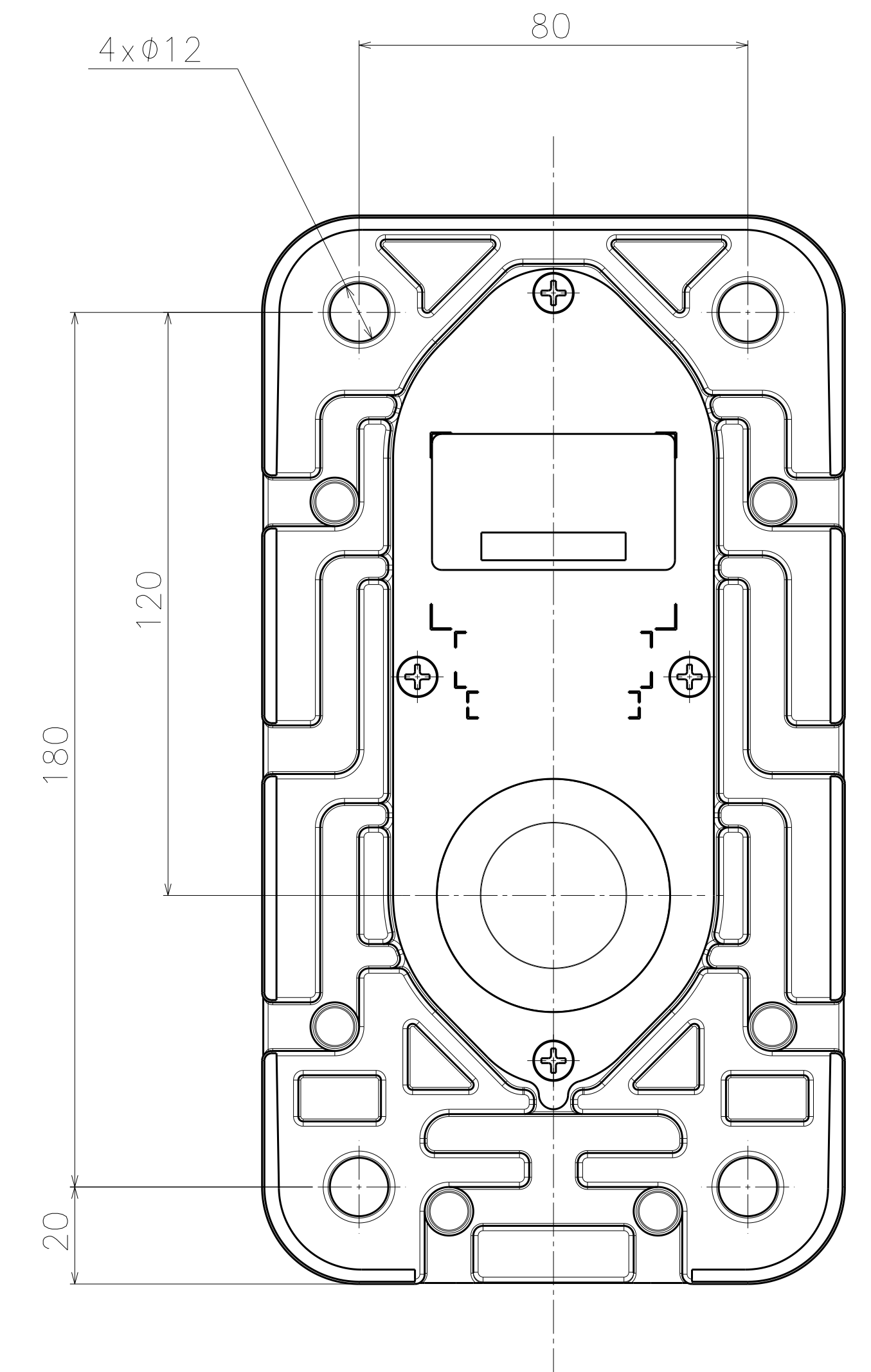
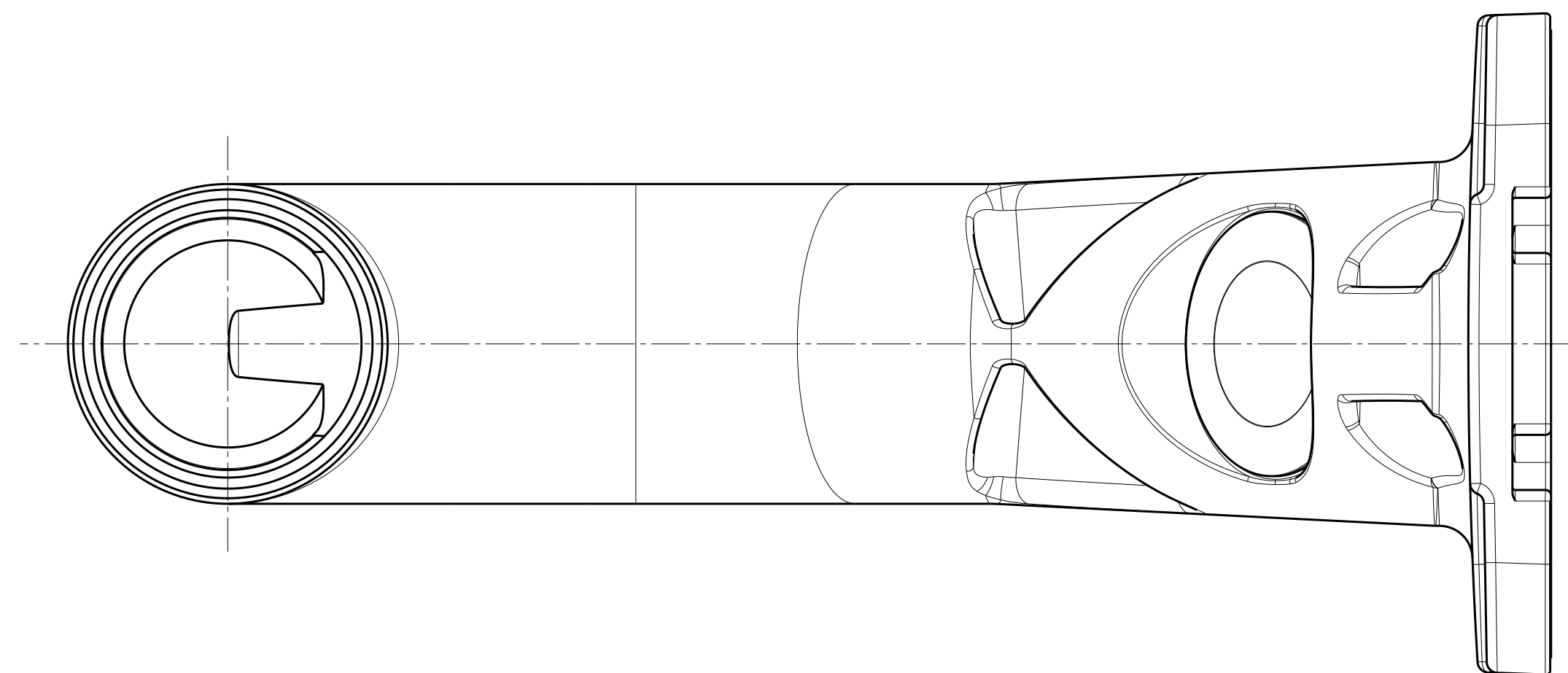
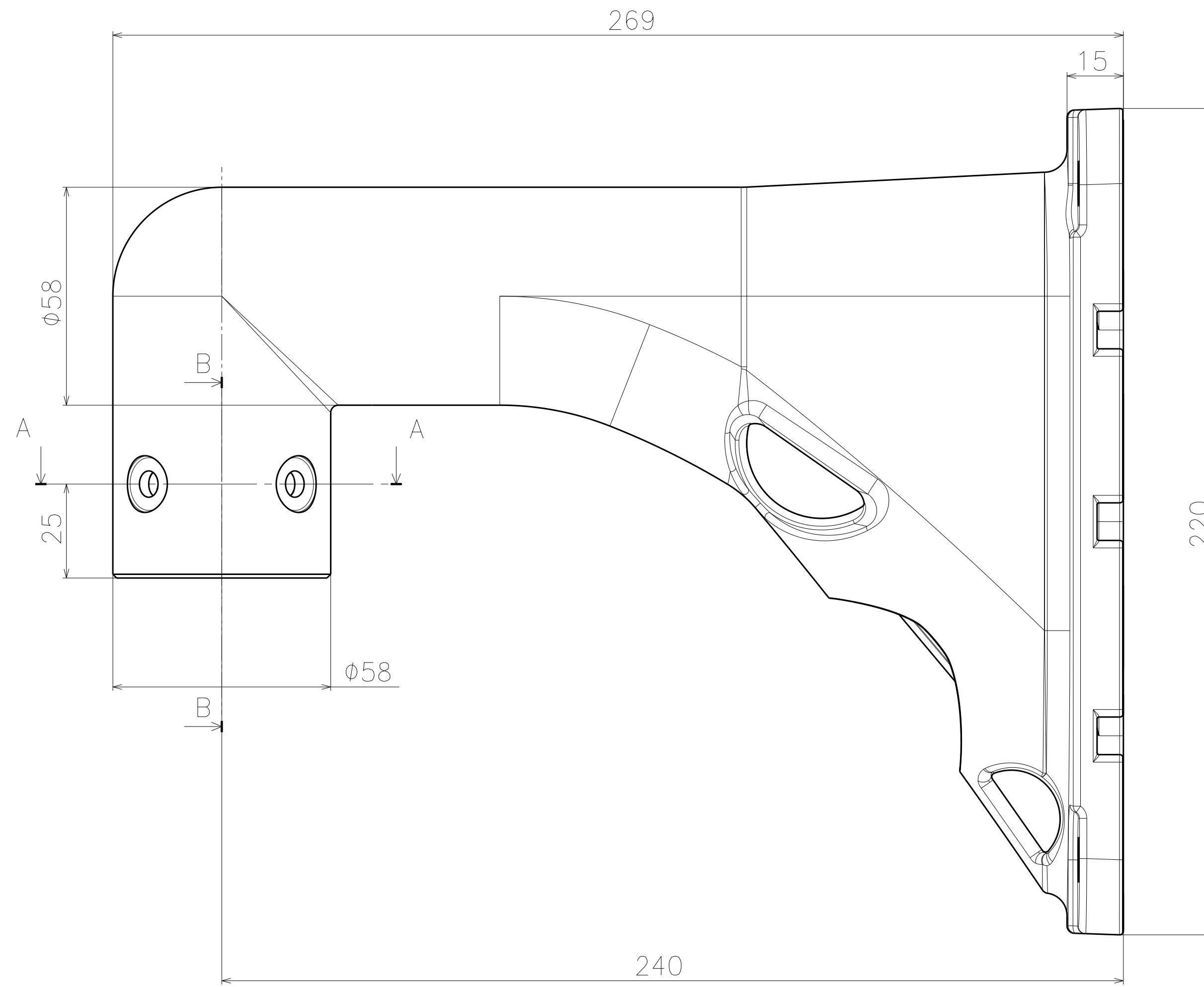


Sec A-A



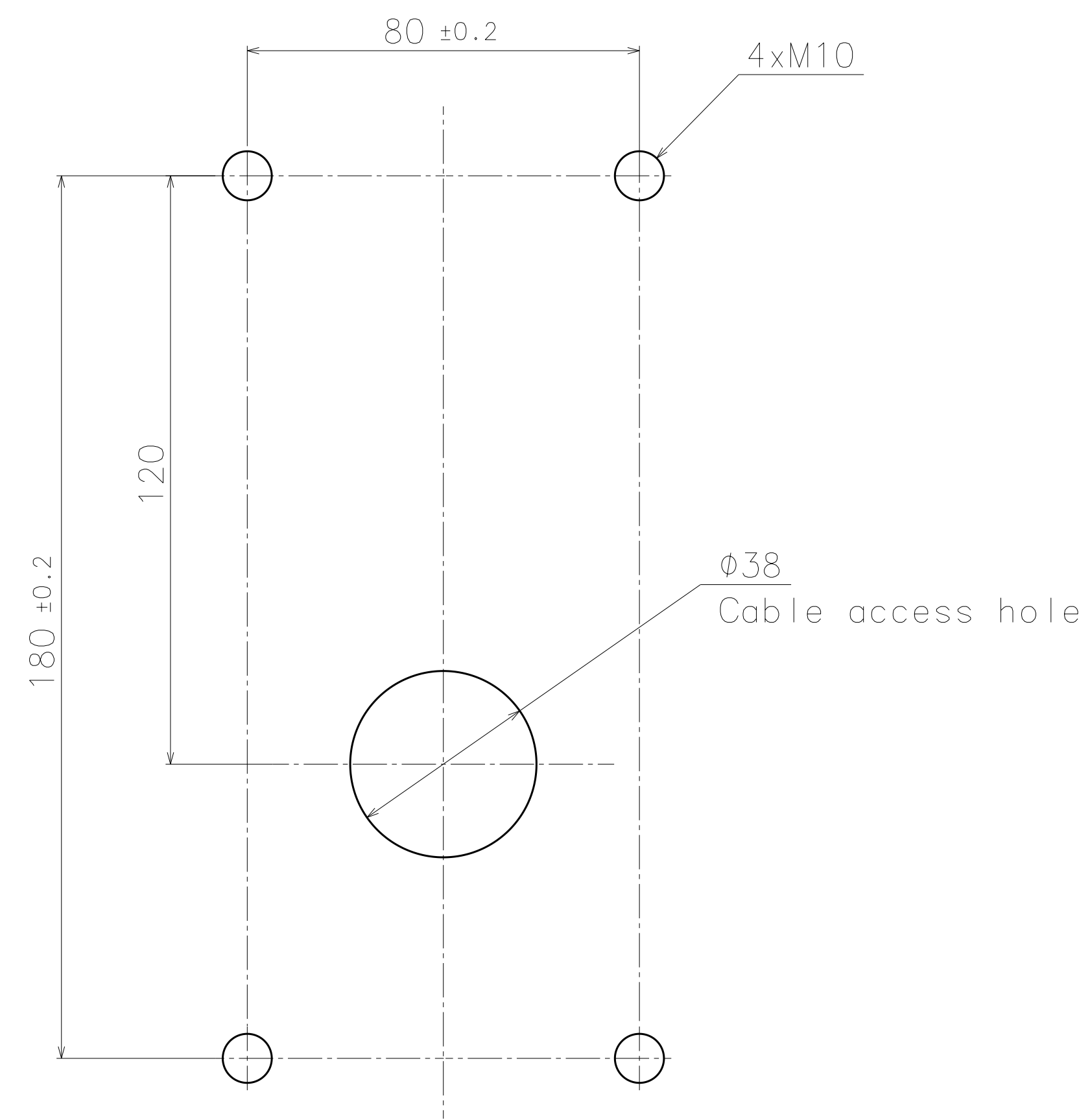
Sec B-B



Model number	Color
WV-QWL501-W	i-PRO white
WV-QWL501-B	Black
WV-QWL501S-W	i-PRO white (Heavy salt damage resistance)

	投影面積/Projected area
側面図/Side-view	0.027 (m <sup>2</sup> )
平面図/Top-view	0.016 (m <sup>2</sup> )

Mass : Approx. 2 kg {4.42 lbs}



取付位置/Mounting position  
(S=1:1)

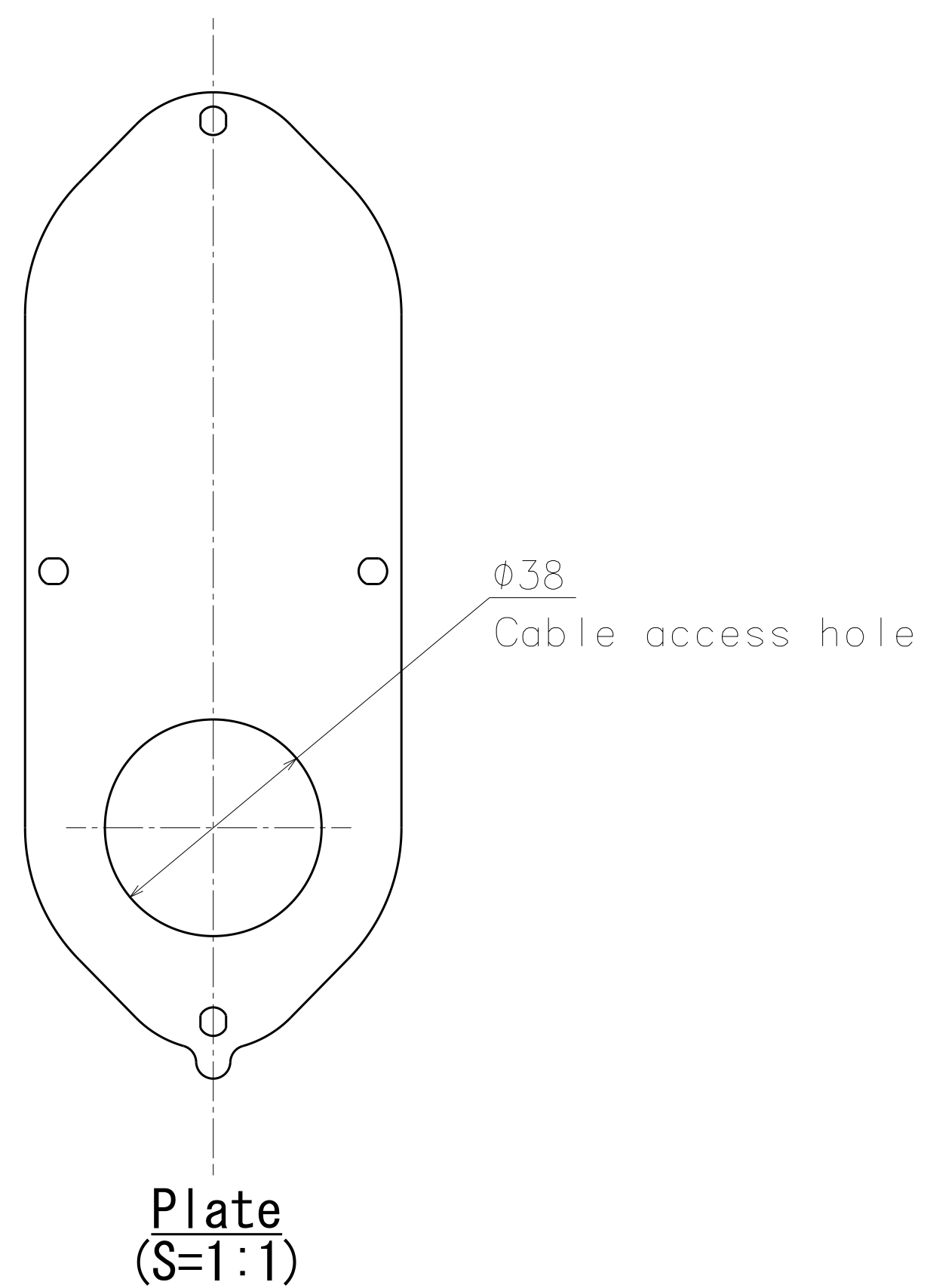
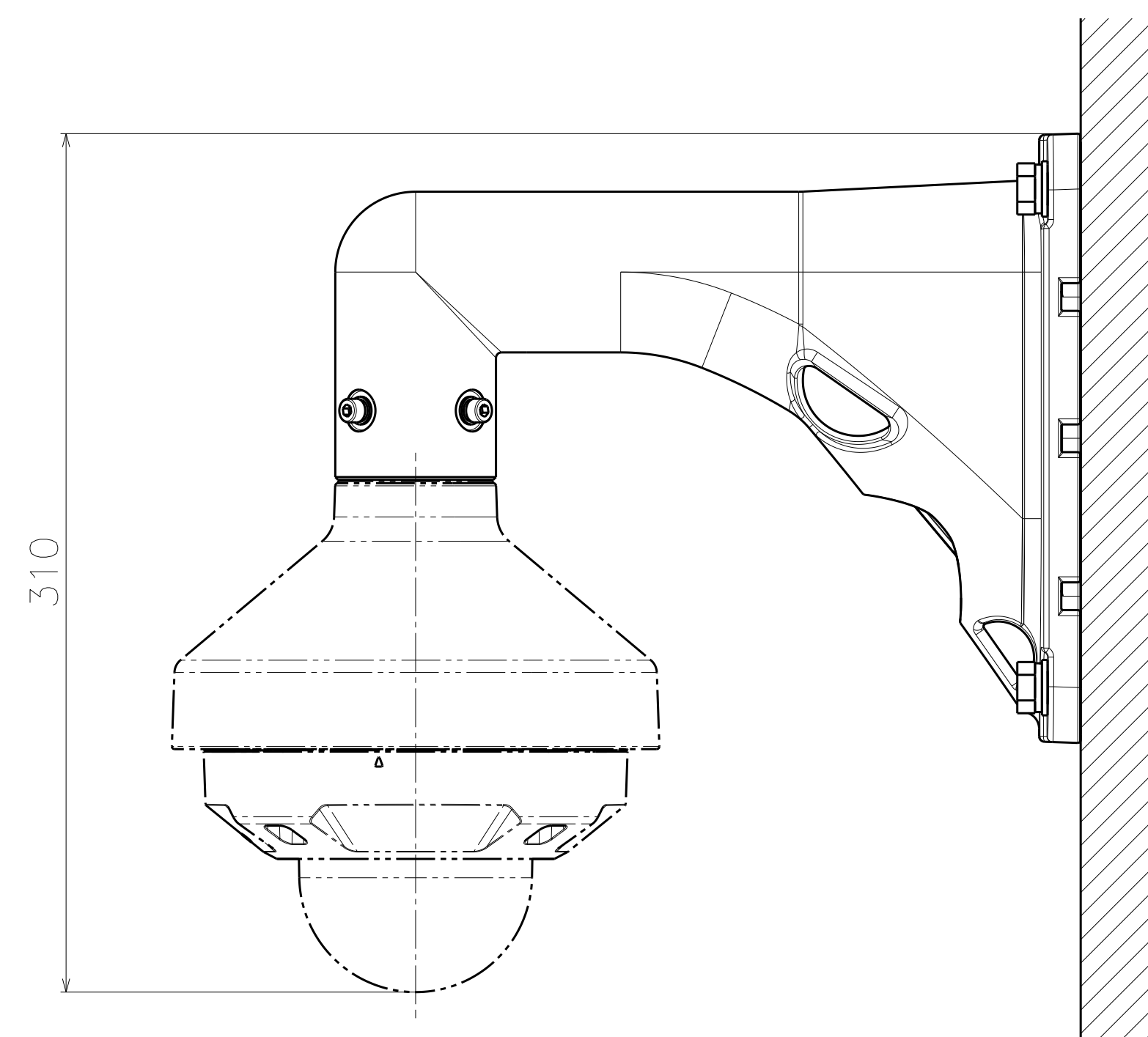


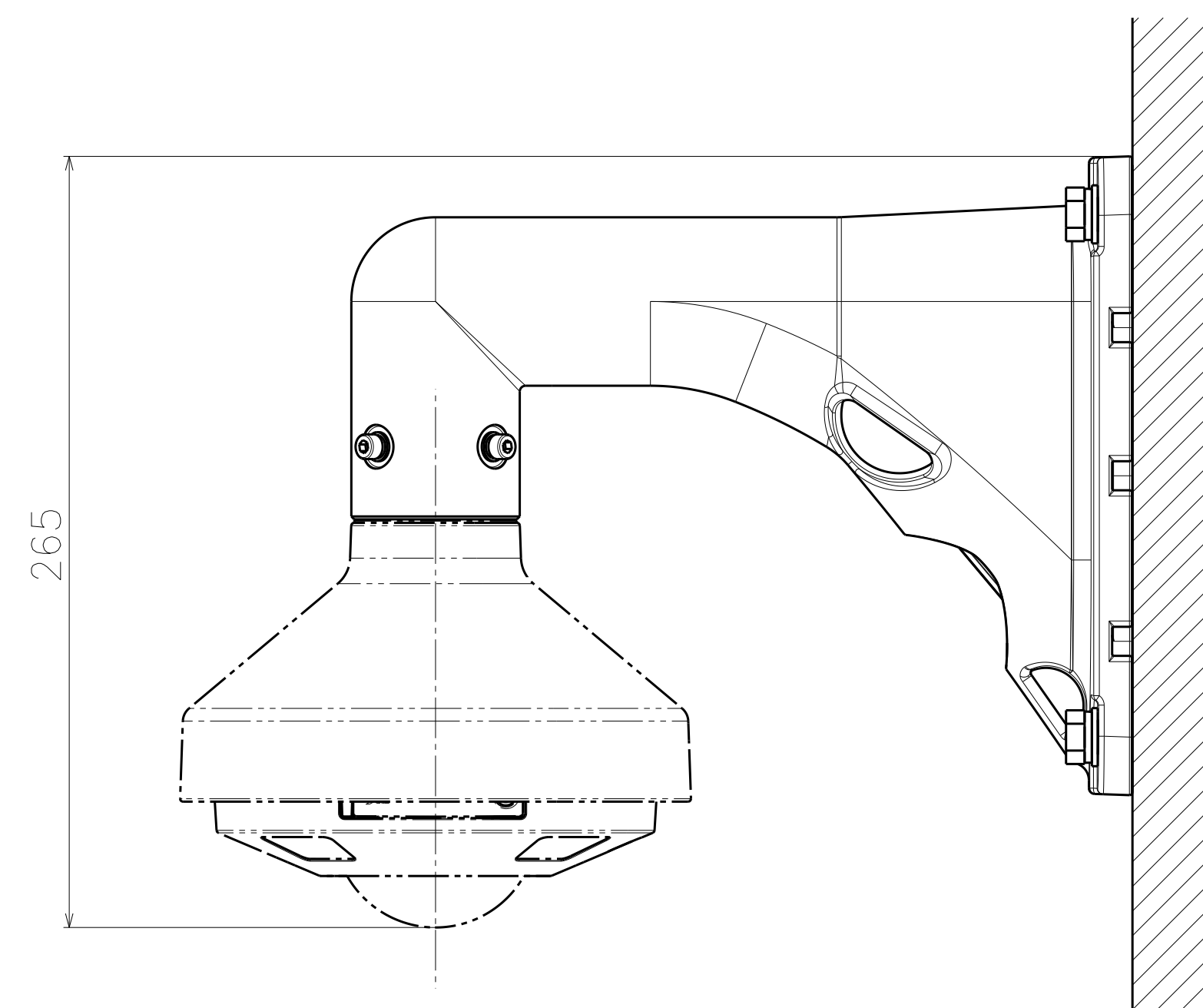
Plate  
(S=1:1)

カメラとの組み合わせ例  
Example of combination with a camera



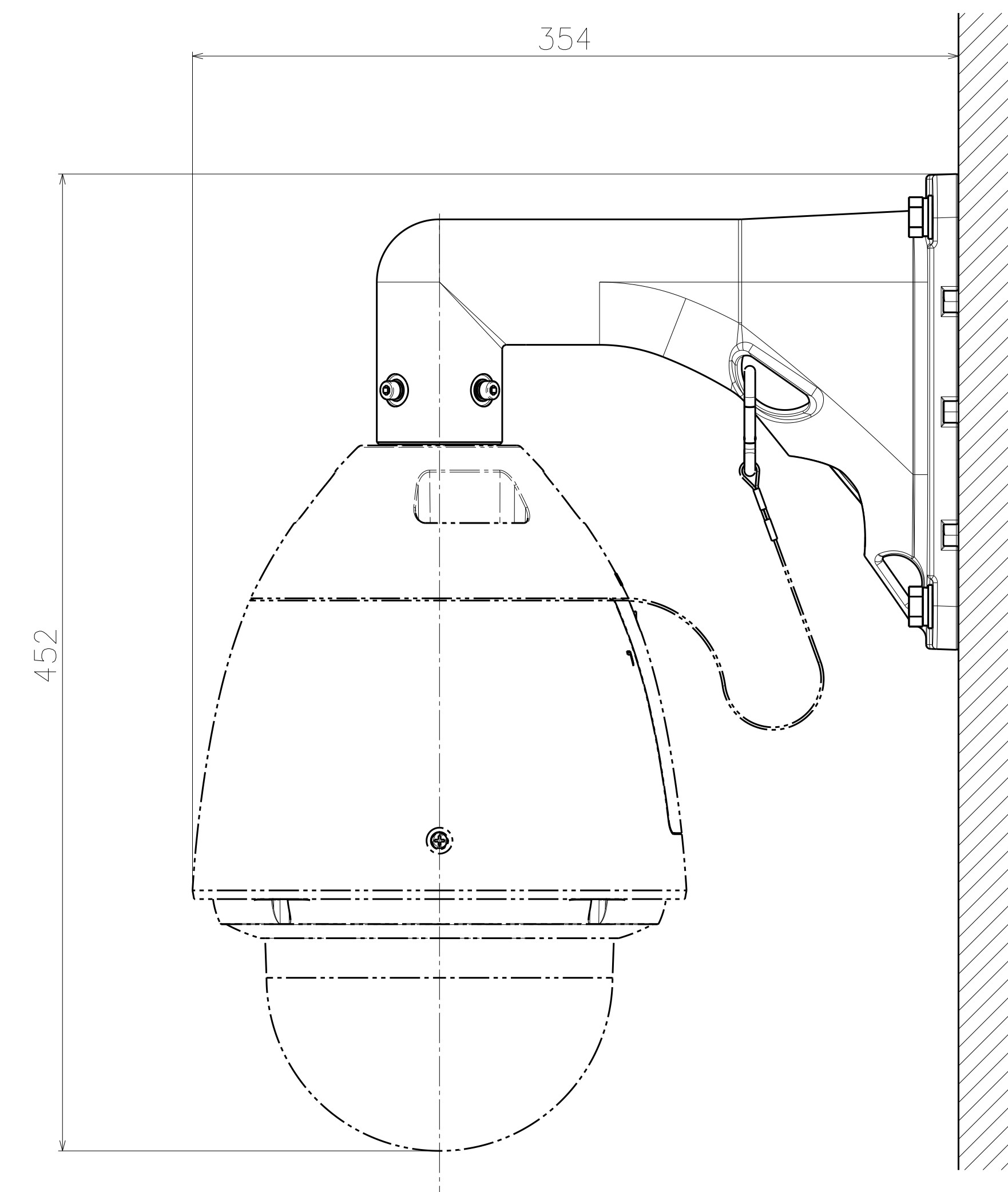
Attach to WV-S2536L\*\* & WV-QSR501-\* (S=1:2)

	投影面積 (Projected area)
側面図/Side-view	0.049 (m <sup>2</sup> )
平面図/Top-view	0.035 (m <sup>2</sup> )



Attach to WV-S4551L & WV-QSR501-\* (S=1:2)

	投影面積 (Projected area)
側面図/Side-view	0.043 (m <sup>2</sup> )
平面図/Top-view	0.035 (m <sup>2</sup> )



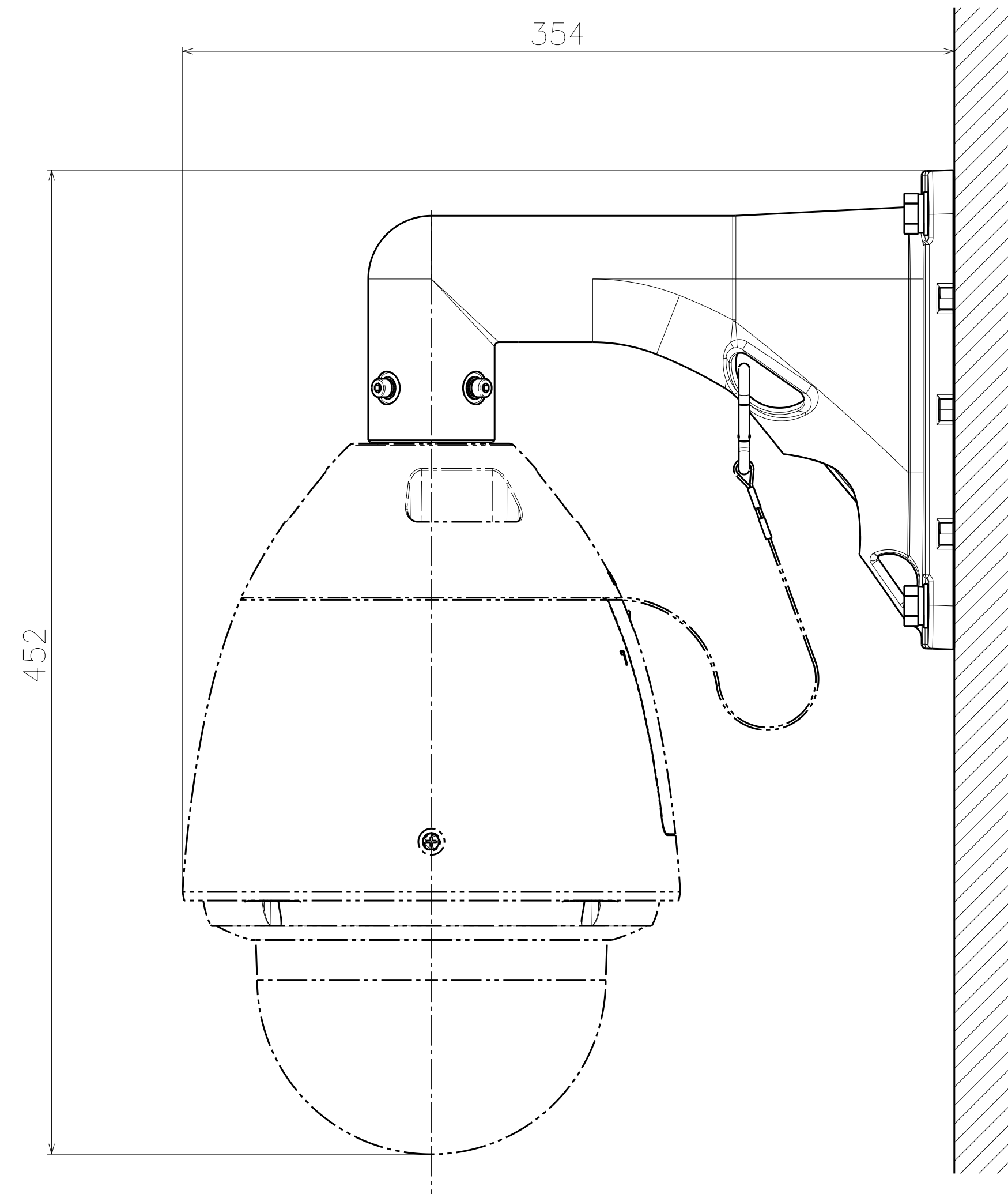
Attach to WV-S65340\*\* & WV-QSR504-\* (S=1:2)

	投影面積/Projected area
側面図/Side-view	0.083 (m <sup>2</sup> )
平面図/Side-view	0.050 (m <sup>2</sup> )

Model number  
WV-QWL501-W  
WV-QWL501-B

カメラとの組み合わせ例  
Example of combination with a camera

耐重塩害モデル  
Heavy salt damage version



Attach to WV-S65340-Z2K & WV-QSR504S-W (S=1:2)

	投影面積/Projected area
側面図/Side-view	0.083 (m <sup>2</sup> )
平面図/Side-view	0.050 (m <sup>2</sup> )

Model number  
WV-QWL501S-W