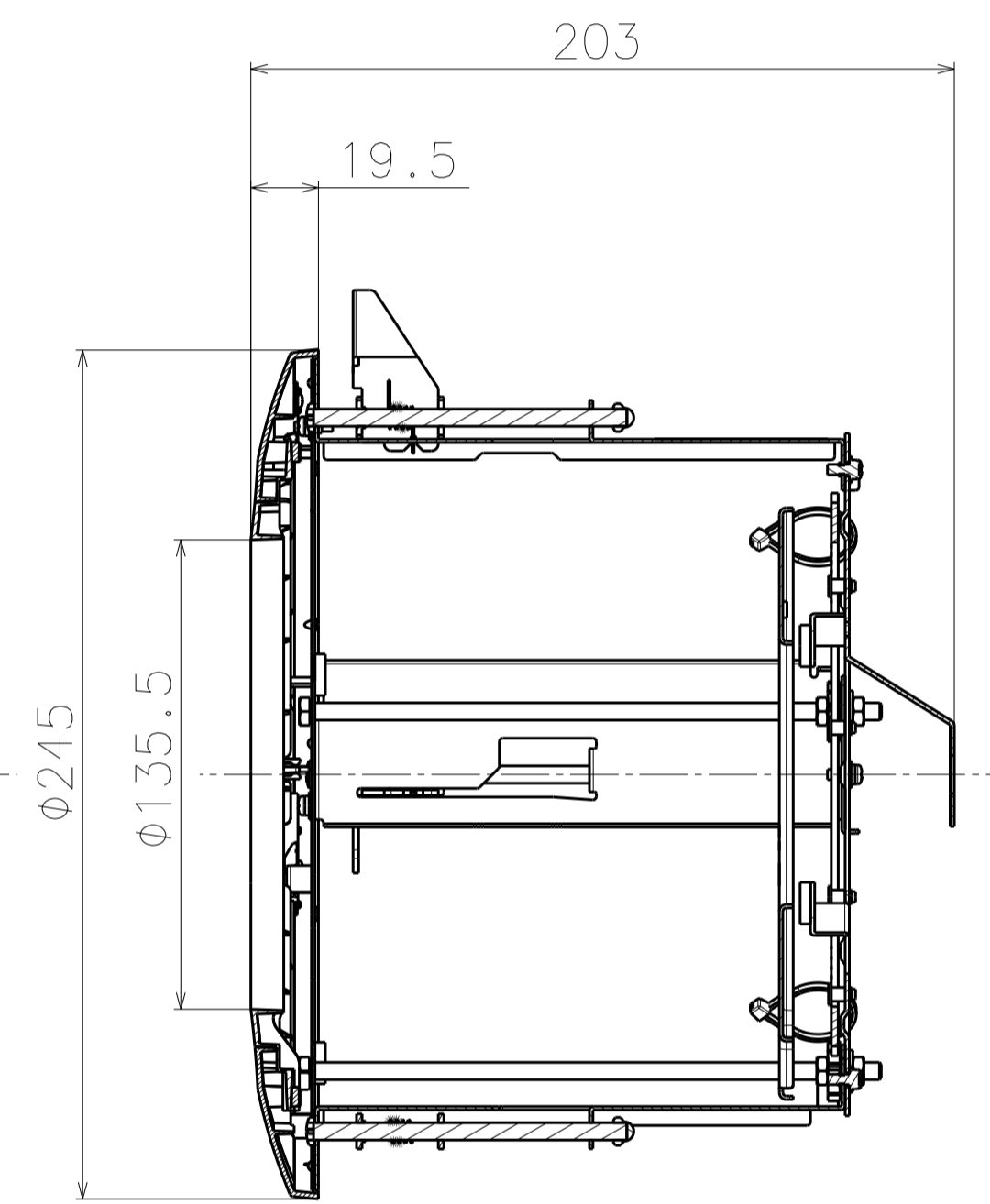
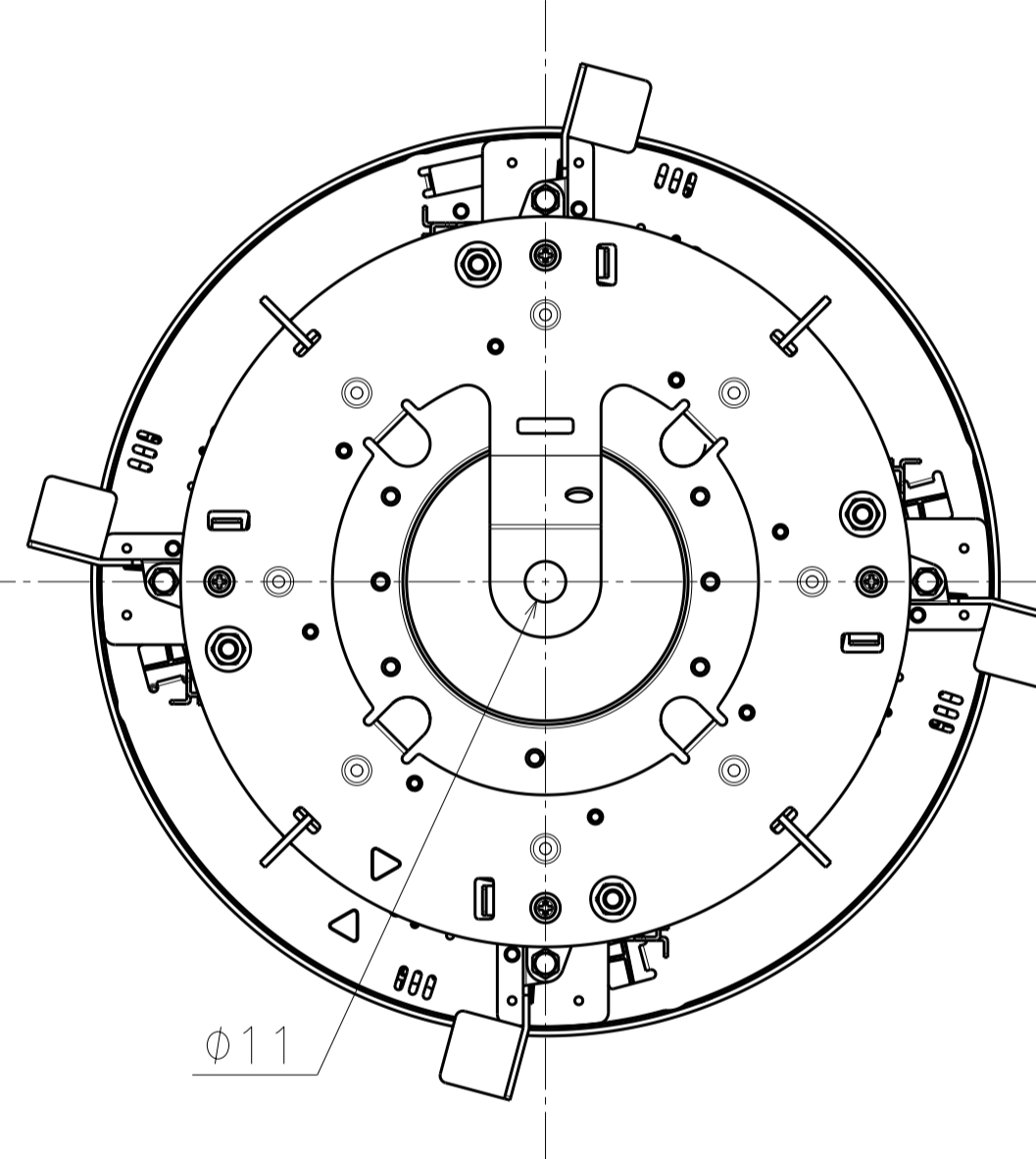
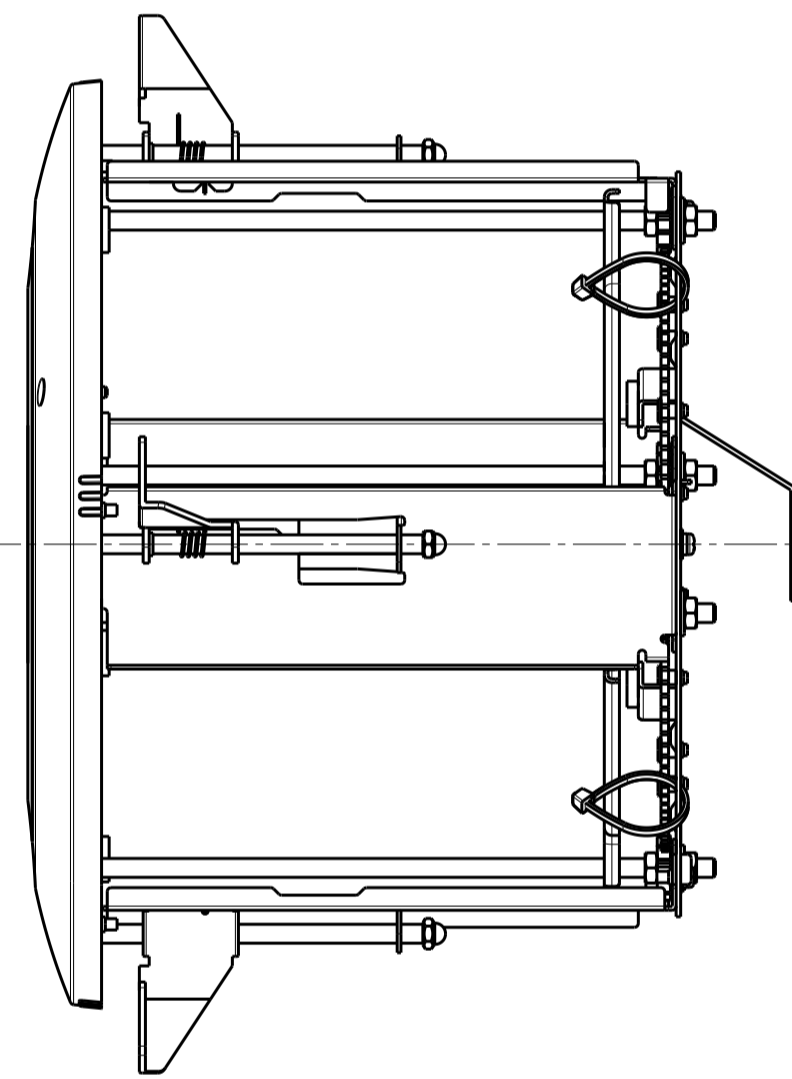
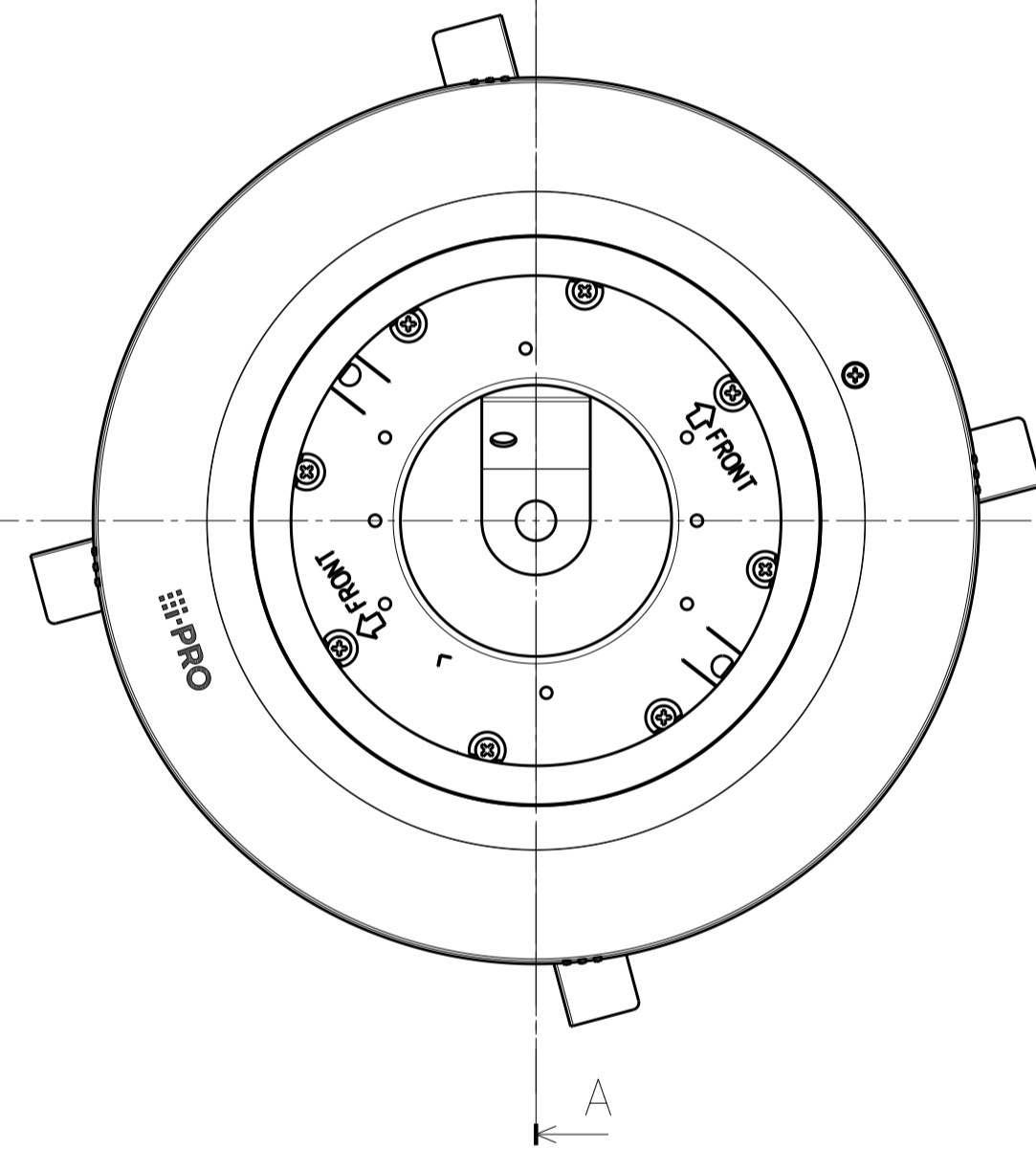
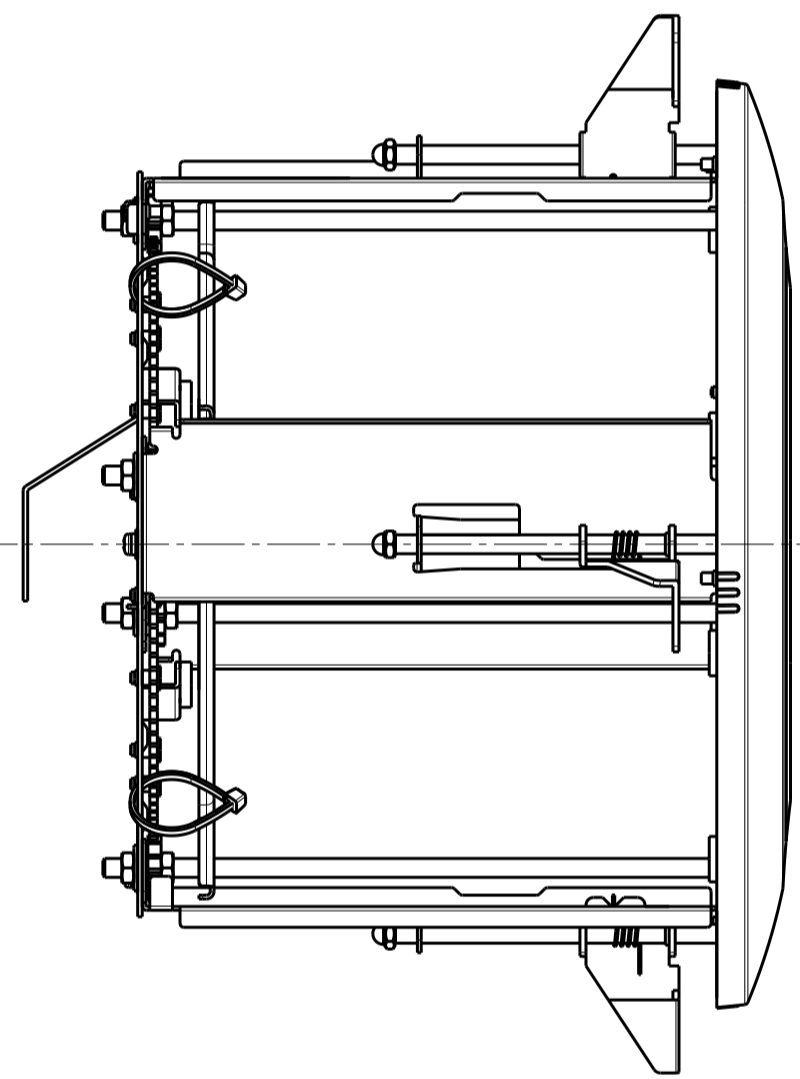
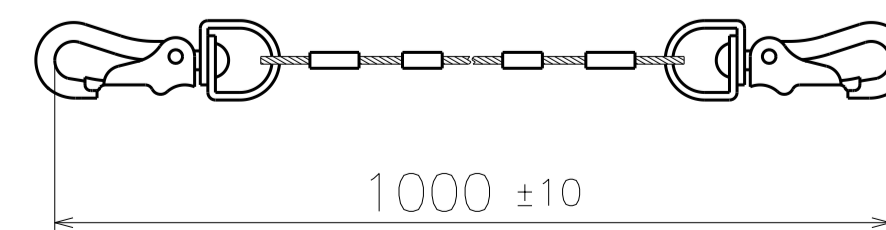
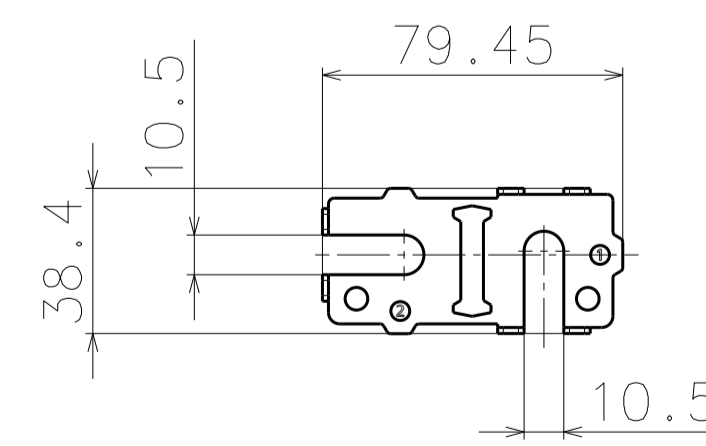
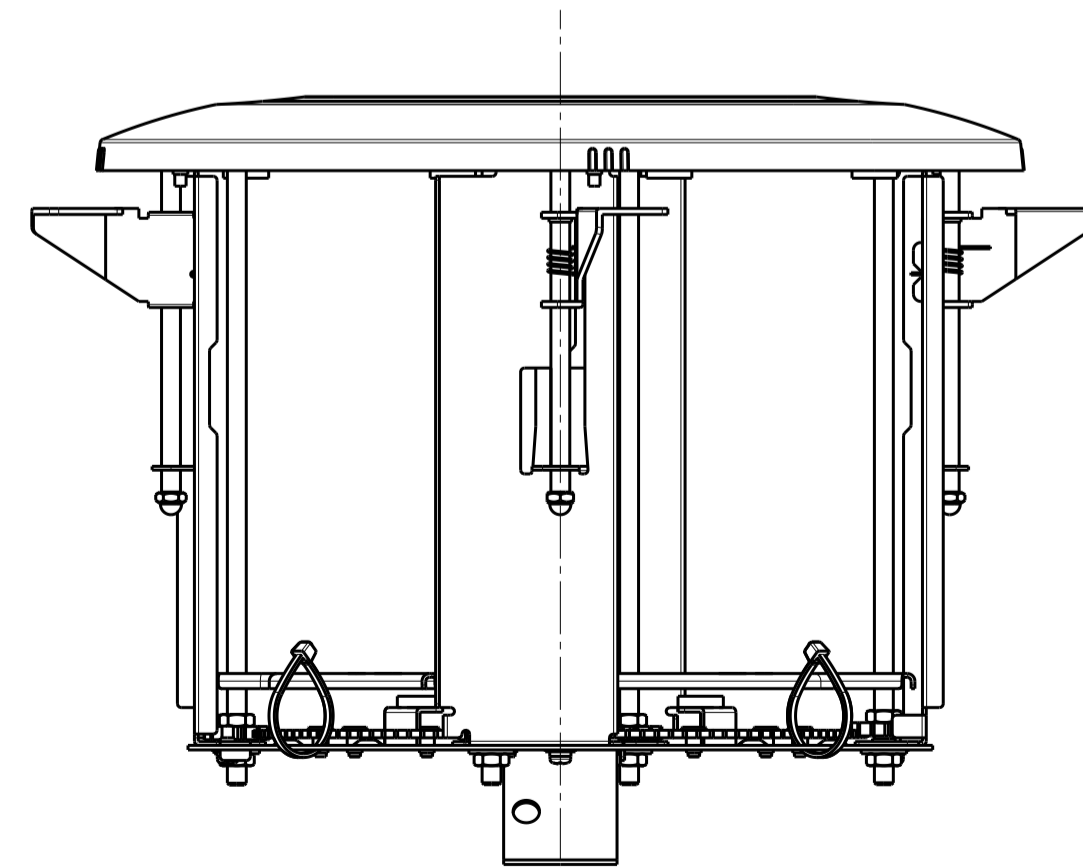


Removing decorative cover



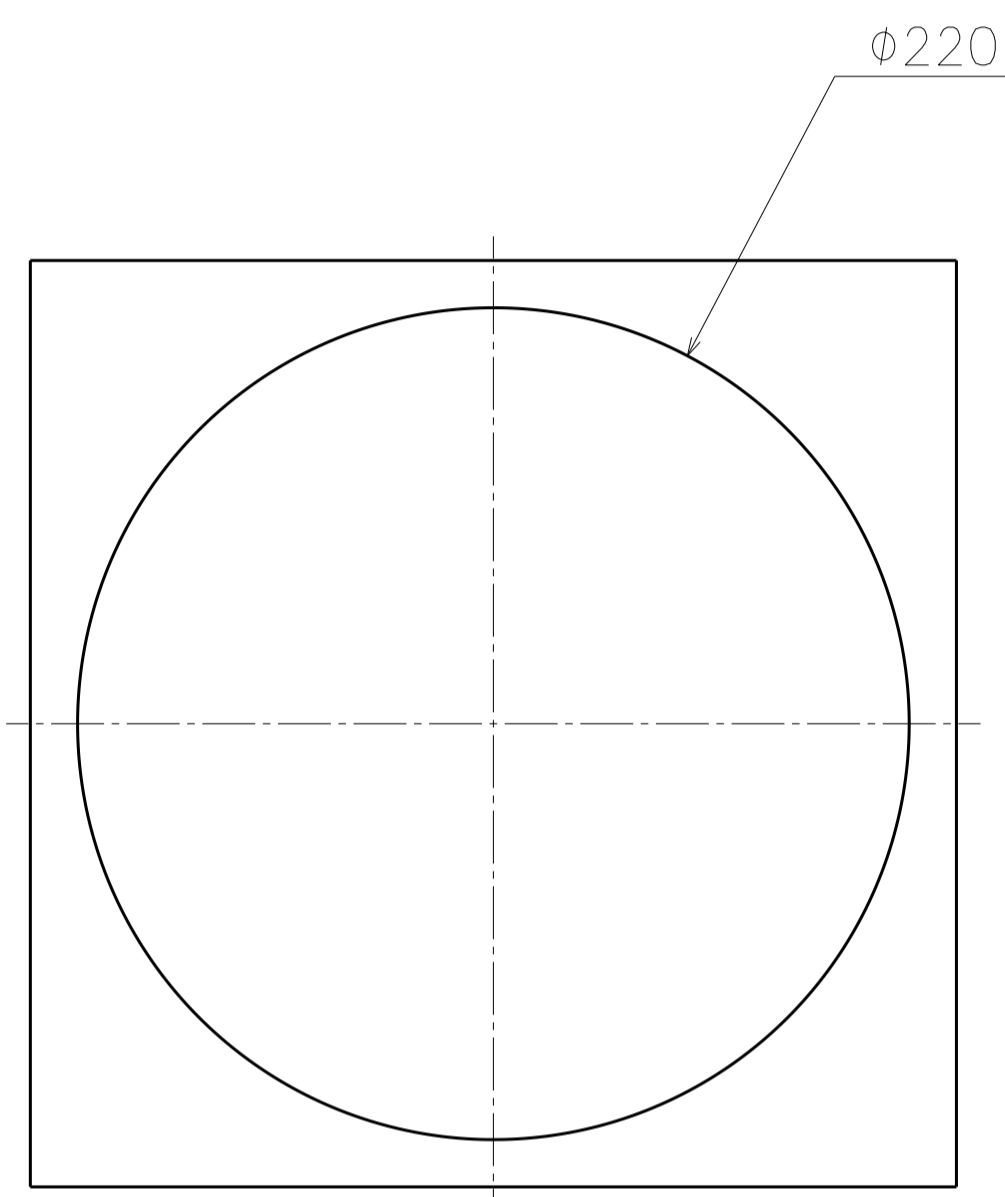
Sec A-A



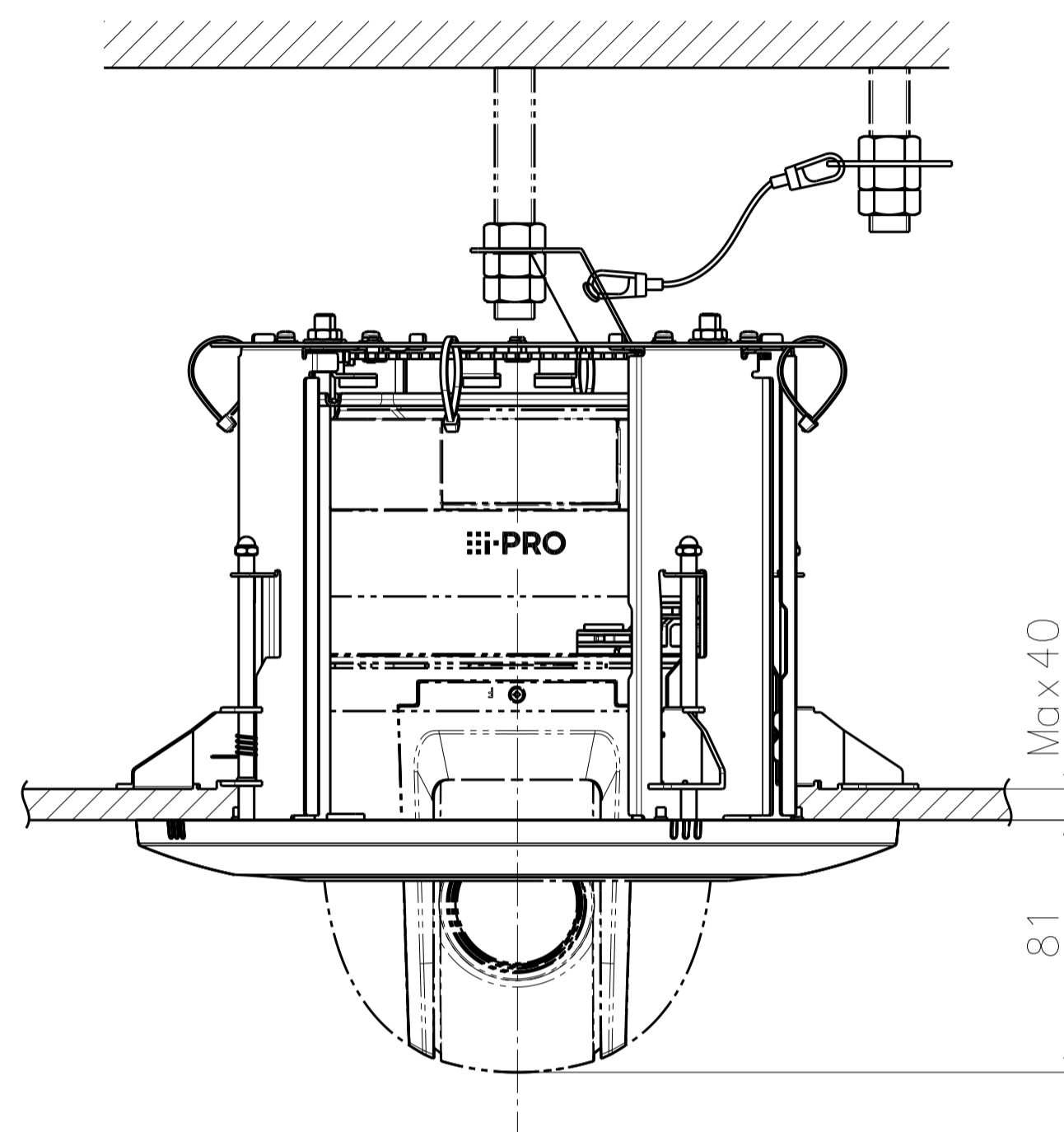
Model number
WV-QEM101-W

Mass : Approx. 1.3 kg {2.87 lbs}

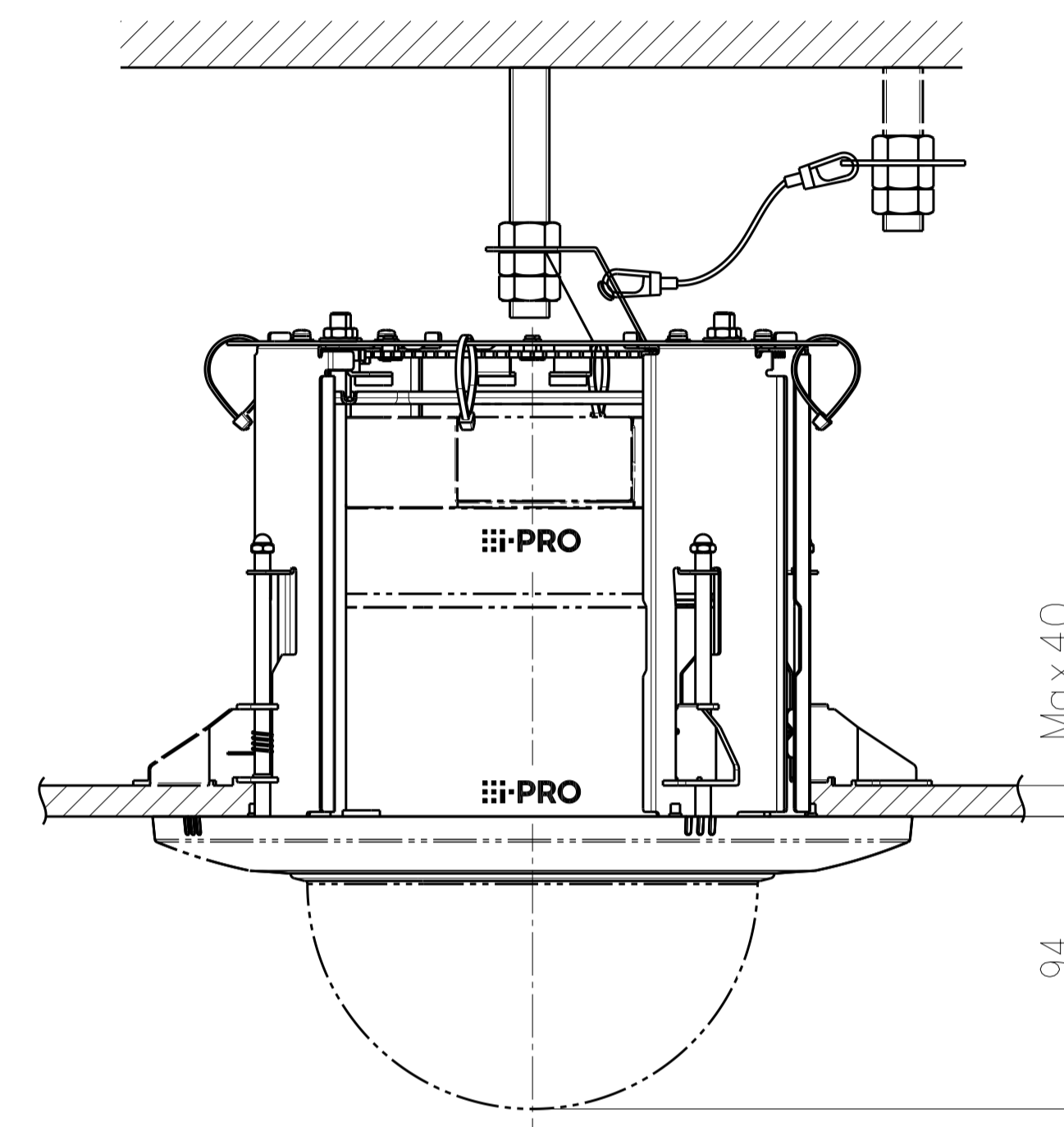
カメラとの組み合わせ例
Example of combination with a camera



Template for mounting



Attach to WV-S61302-Z4



Attach to WV-S61302-Z4 & WV-QDC100G-W