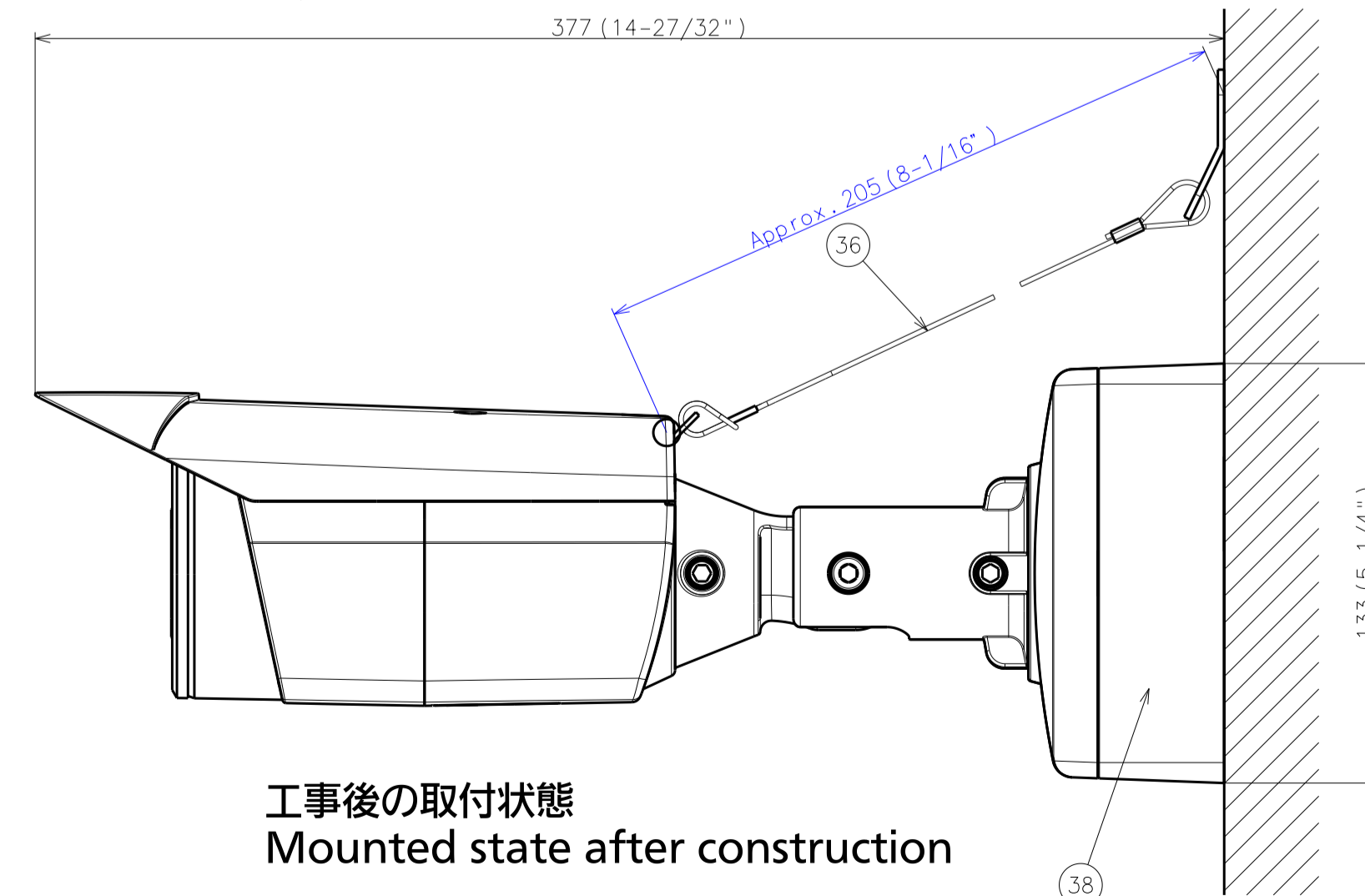
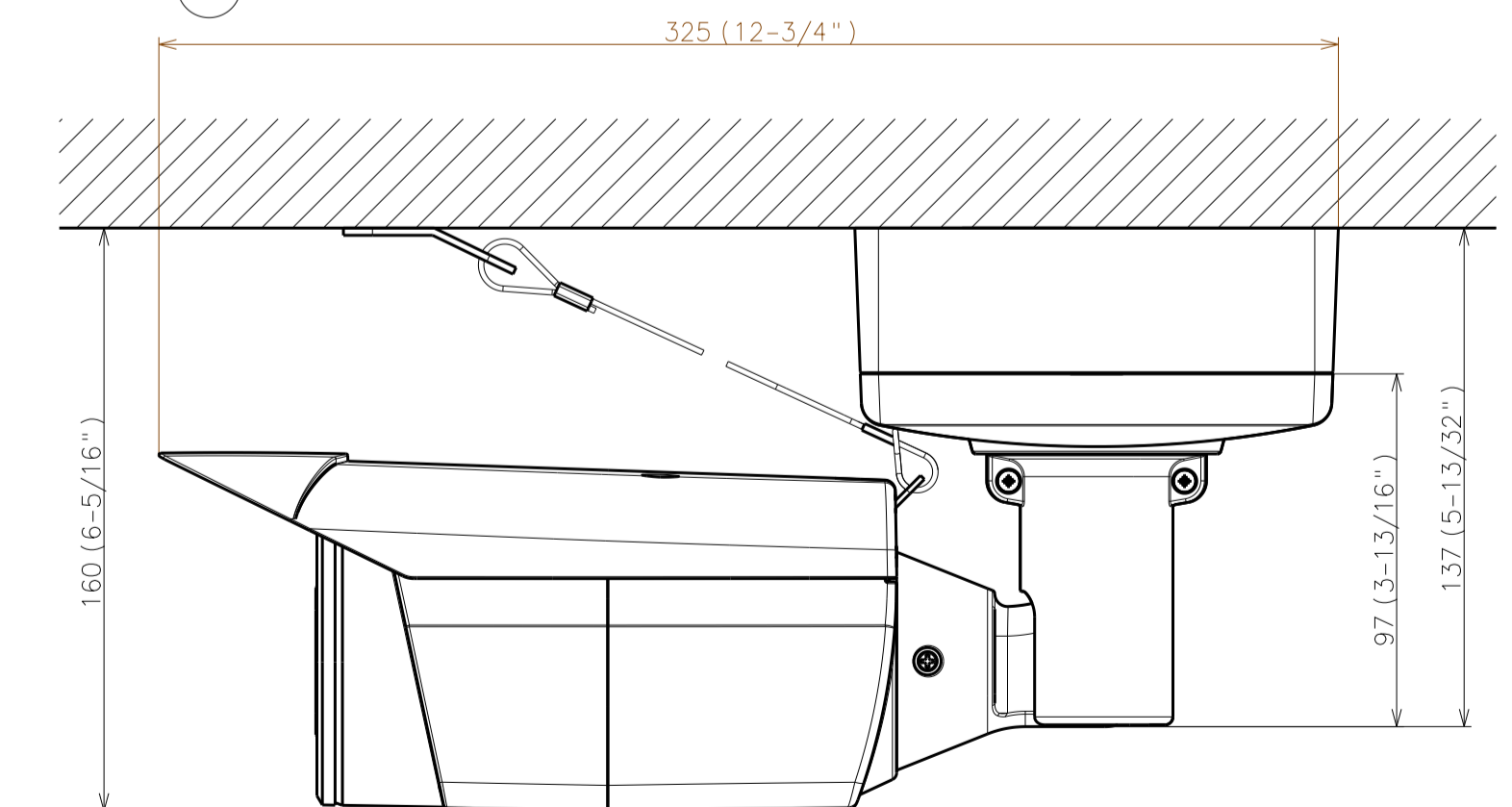


with Adapter BOX



工事後の取付状態  
Mounted state after construction



工事後の取付状態  
Mounted state after construction

|               | 投影面積/Projected area |                       |
|---------------|---------------------|-----------------------|
|               | (With Adapter Box)  | (Without Adapter Box) |
| 平面図/Top-view  | 0.031 (m2)          | 0.025 (m2)            |
| 側面図/Side-view | 0.028 (m2)          | 0.023 (m2)            |

| No. | 部品                                 | Part Name   | Material           | Process-Remark                     |
|-----|------------------------------------|---|--------------------|------------------------------------|
| 1   | フロントパネル                            | Front Panel   | PC(Clear)          | Rain wash coating                  |
| 2   | フロントカバー                            | Front cover   | Aluminium die cast | Coating (Silver Metallic)          |
| 3   | リアカバー                              | Rear cover  | Aluminium die cast | Coating (Silver Metallic)-Printing |
| 4   | サンシェード                             | Sunshade  | PC+ABS             | Coating (Silver Metallic)          |
| 5   | 傾斜(TILT)アングル                       | Vertical (TILT) angle                                   | Aluminium die cast | Coating (Silver Metallic)          |
| 6   | 水平(PAN)アングル                        | Horizontal (PAN) angle A                                | Aluminium die cast | Coating (Silver Metallic)          |
| 7   | 水平(PAN)アングル                        | Horizontal (PAN) angle B                                | Aluminium die cast | Coating (Silver Metallic)          |
| 8   | カメラ取付カバー                           | Camera mount bracket cover                              | PC+ABS             | Coating (Silver Metallic)          |
| 9   | PANロックネジ                           | PAN lock screw  | Stainless Steel    | Corrosion-resistant treatment      |
| 10  | TILTロックネジ                          | TILT lock screw   | Stainless Steel    | Corrosion-resistant treatment      |
| 11  | YAWロックネジ                           | YAW lock screw  | Stainless Steel    | Corrosion-resistant treatment      |
| 12  | 遮断ワイヤ取付用                           | Safety wire lug   | Stainless Steel    |                                    |
| 13  | カメラ取付台                             | Camera mount bracket                                    | Aluminium die cast | Coating (Silver Metallic)          |
| 14  | カメラカバー                             | Rosahl cover  | ASA                | Coating (Silver Metallic)          |
| 15  | RJ45ネットワークケーブル                     | RJ45 Network cable                                      |                    |                                    |
| 16  | アラーム出力ケーブル                         | Alarm I/O cable   |                    |                                    |
| 17  | 電源ケーブル(DC12 V)                     | Power cable (12 V DC)                                   |                    |                                    |
| 18  | オーディオ出力ケーブル(黒)                     | Audio output cable (black)                              |                    |                                    |
| 19  | オーディオ入力ケーブル(白)                     | Audio input cable (white)                               |                    |                                    |
| 20  | レンズカバー                             | Lens cover  | PC                 | Black                              |
| 21  | IR LEDカバー                          | IR LED cover  | Aluminium die cast | Coating (Black)                    |
| 22  | PCBホルダー                            | PCB holder  | PC                 | Black                              |
| 23  | 赤外線LED                             | IR LED  |                    |                                    |
| 24  | SD ERRORランプ                        | SD ERROR indicator                                      |                    |                                    |
| 25  | SD ON/OFFボタン                       | SD ON/OFF button  |                    |                                    |
| 26  | SDスロット                             | SD slot   |                    |                                    |
| 27  | LINKランプ                            | LINK indicator  |                    |                                    |
| 28  | ACTランプ                             | ACT indicator   |                    |                                    |
| 29  | SD ERROR/AFランプ                     | SD ERROR/AF indicator                                   |                    |                                    |
| 30  | SD MOUNTランプ                        | SD MOUNT indicator                                      |                    |                                    |
| 31  | TELEボタン                            | TELE button   |                    |                                    |
| 32  | WIDEボタン                            | WIDE button   |                    |                                    |
| 33  | MONITOR OUT端子<br>(工場出荷時:NTSCモニター用) | MONITOR OUT terminal<br>(factory shipment:NTSC monitor) |                    |                                    |
| 34  | INITIAL SETボタン                     | INITIAL SET button                                      |                    |                                    |
| 35  | AFボタン                              | AF button   |                    |                                    |
| 36  | 遮断ワイヤ                              | Safety wire   | Stainless Steel    |                                    |
| 37  | フロントカバー固定ネジ                        | Front cover fixing screw                                | Stainless Steel    | Corrosion-resistant treatment      |
| 38  | カメラ取付台                             | Adapter Box   | Aluminium die cast | Coating (Silver Metallic)          |
| 39  | 注意ラベル                              | Caution label   | Polyester Film     | Printing                           |
| 40  | 名称                                 | Name plate  | Polyester Film     | Printing                           |
| 41  | FCCラベル                             | FCC label   | Polyester Film     | Printing                           |
| 42  | シリアルNo.ラベル                         | Serial number label                                     | Polyester Film     | Printing                           |
| 43  | コードラベル                             | Code label  | Polyester Film     | Printing                           |
| 44  | 注意ラベル                              | Caution label   | Polyester Film     | Printing                           |
| 45  | PALスイッチラベル                         | PAL switch label  | Polyester Film     | Printing                           |
| 46  | データマトリクスラベル                        | Data Matrix label                                       | Polyester Film     | Printing                           |
| 47  | ケーブル注意ラベル                          | Wiring Attention Label                                  | Polyester Film     | Printing                           |

REMARK  
Weight:  
Approx.2.1 kg (Add the Adapter Box)  
Approx.1.6 kg (Except the Adapter Box)