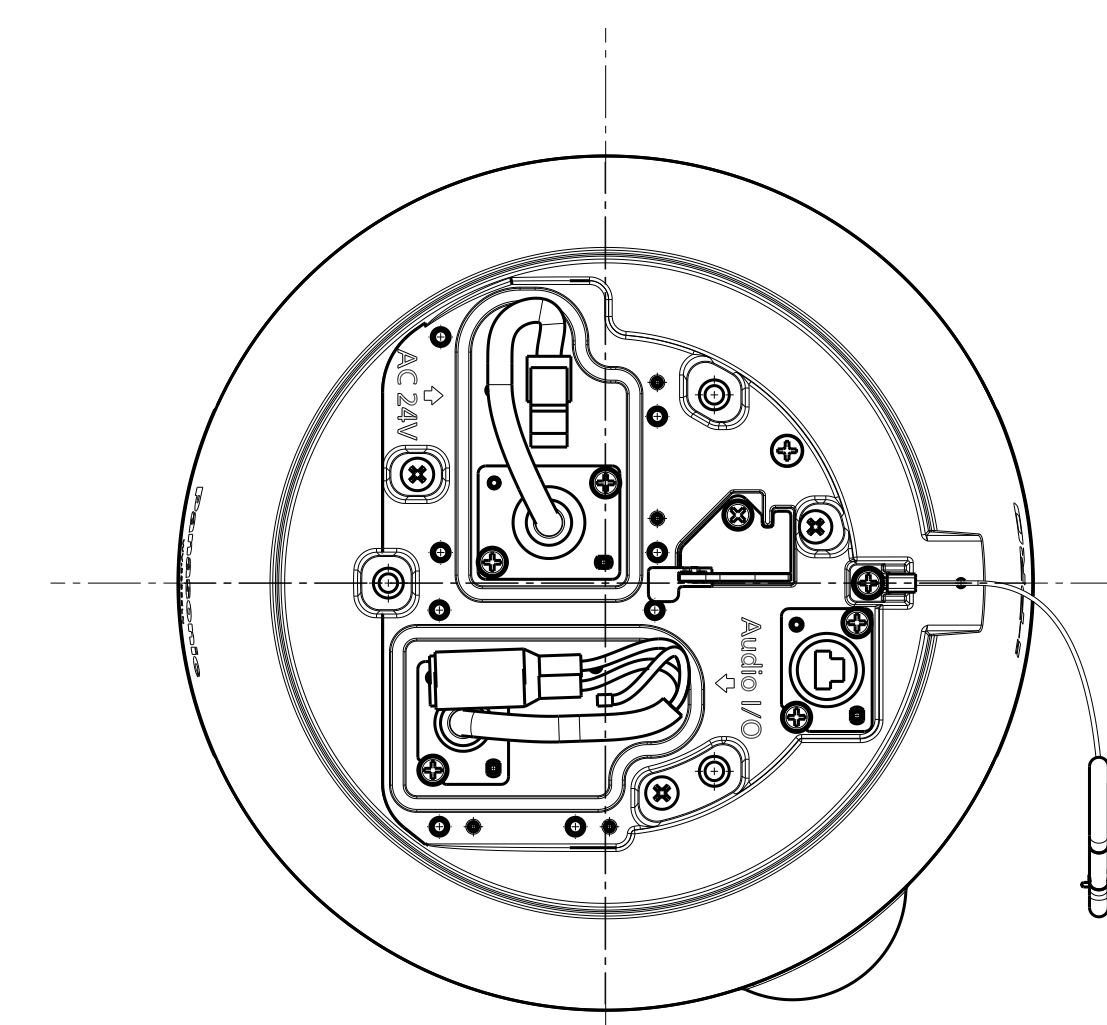
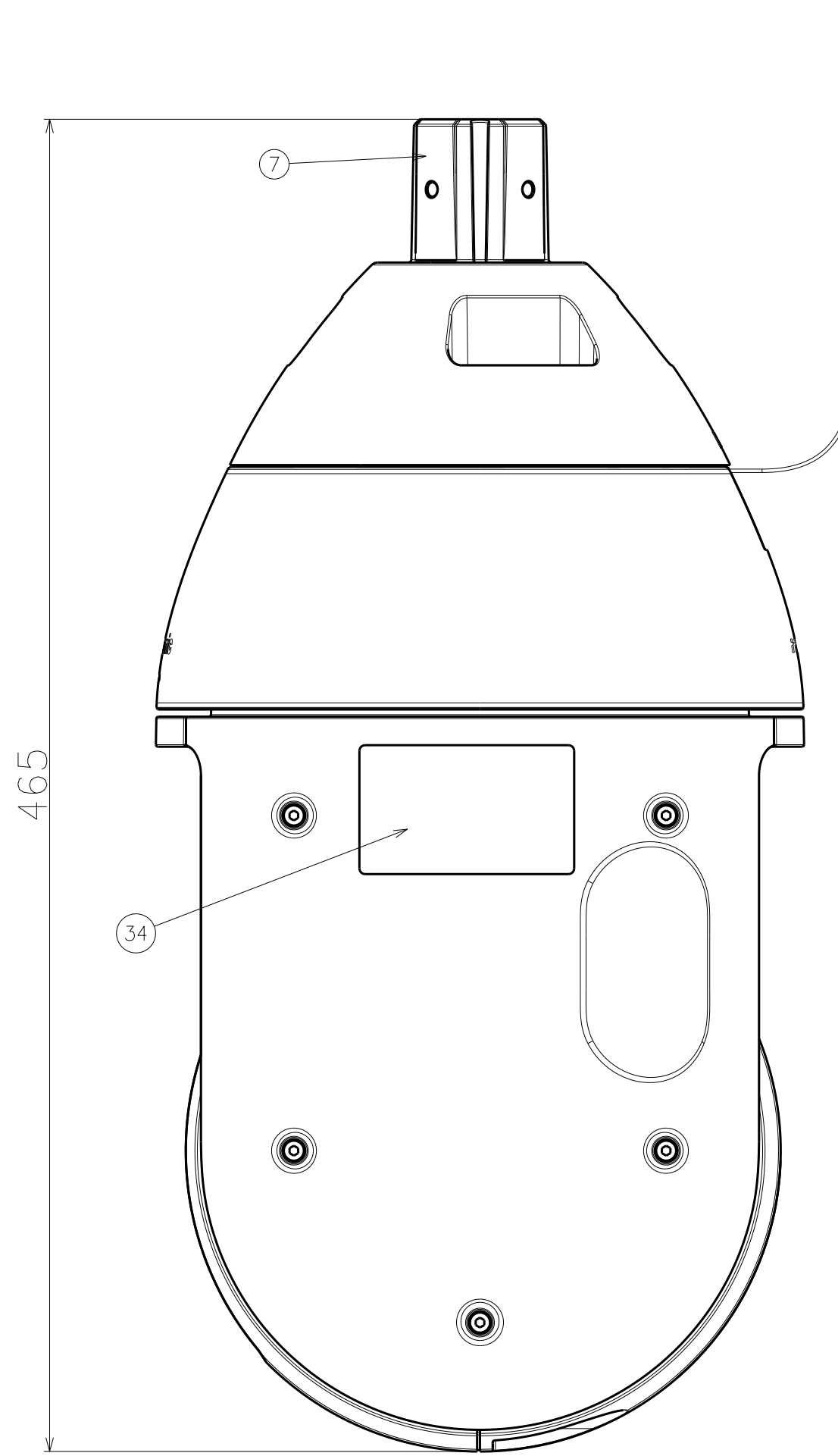
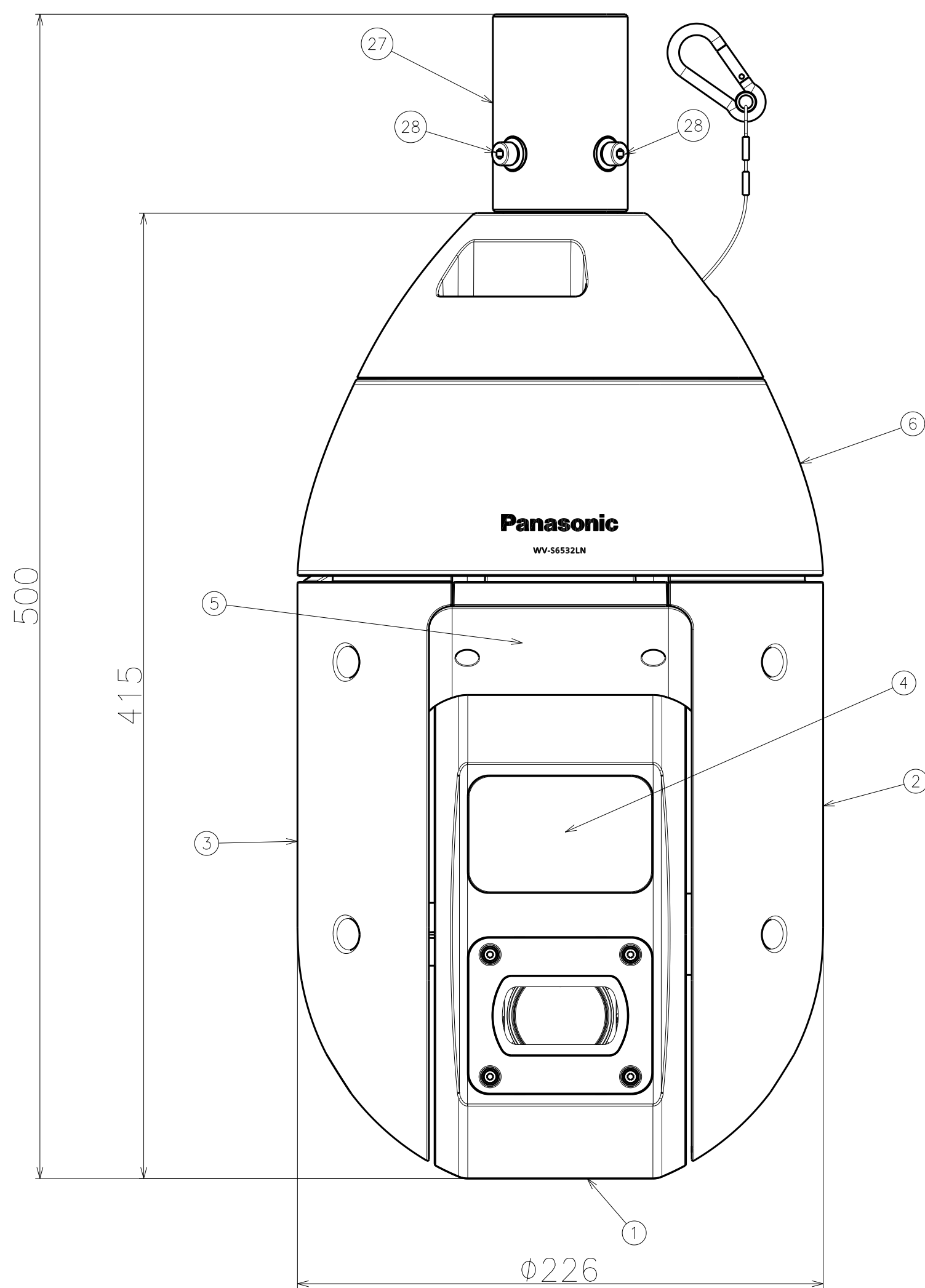
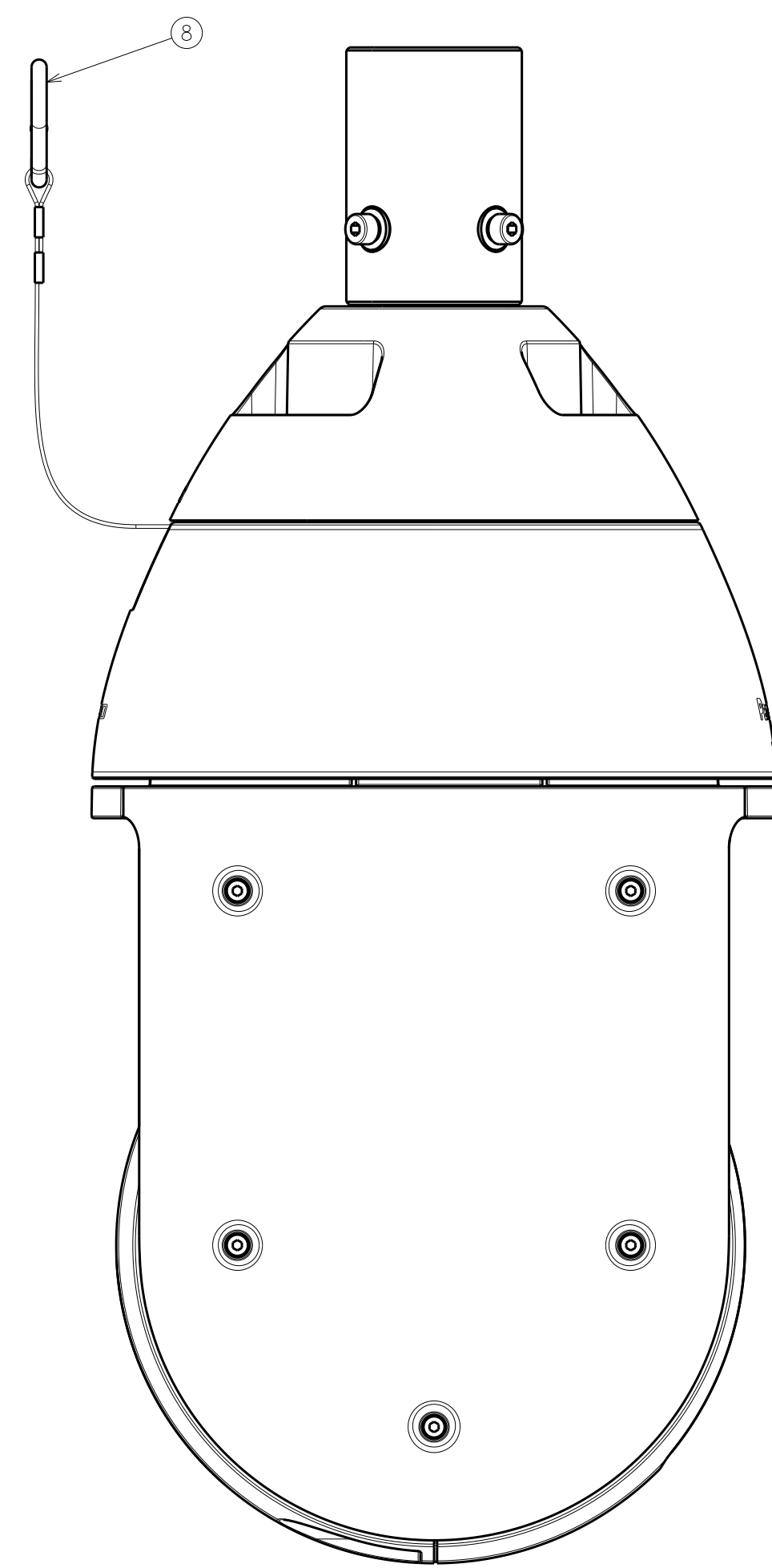
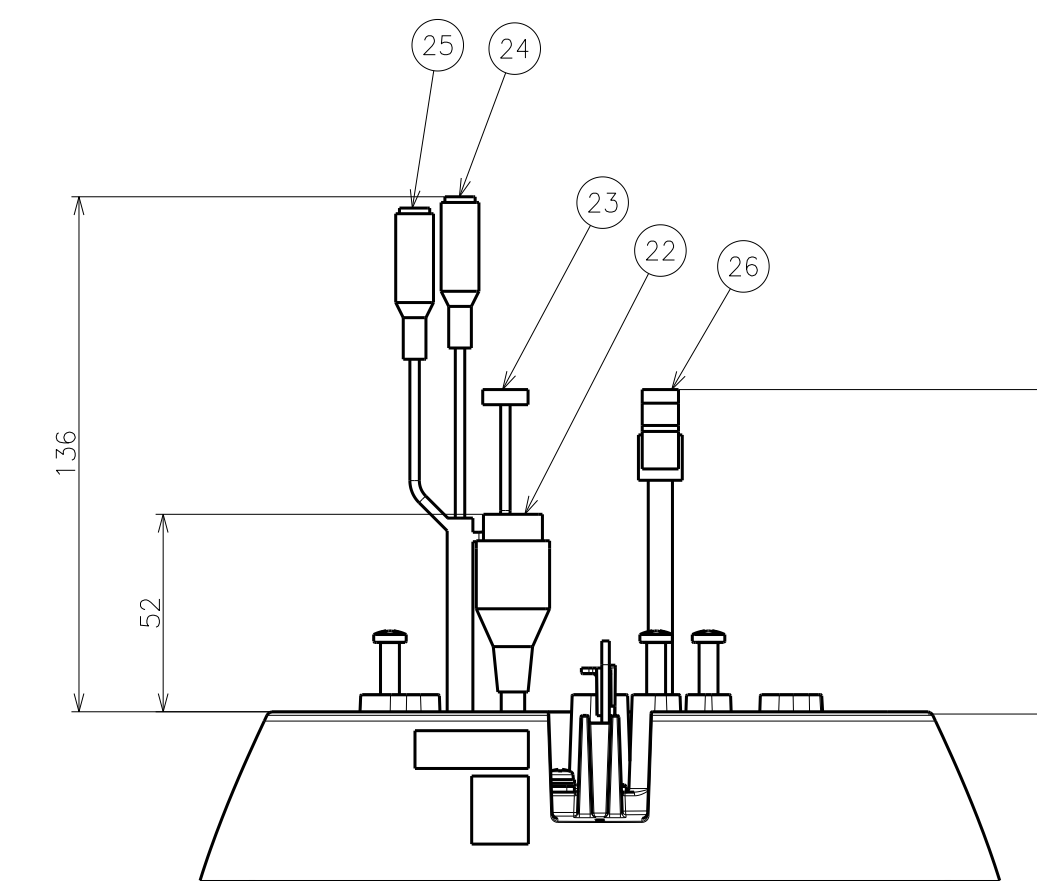
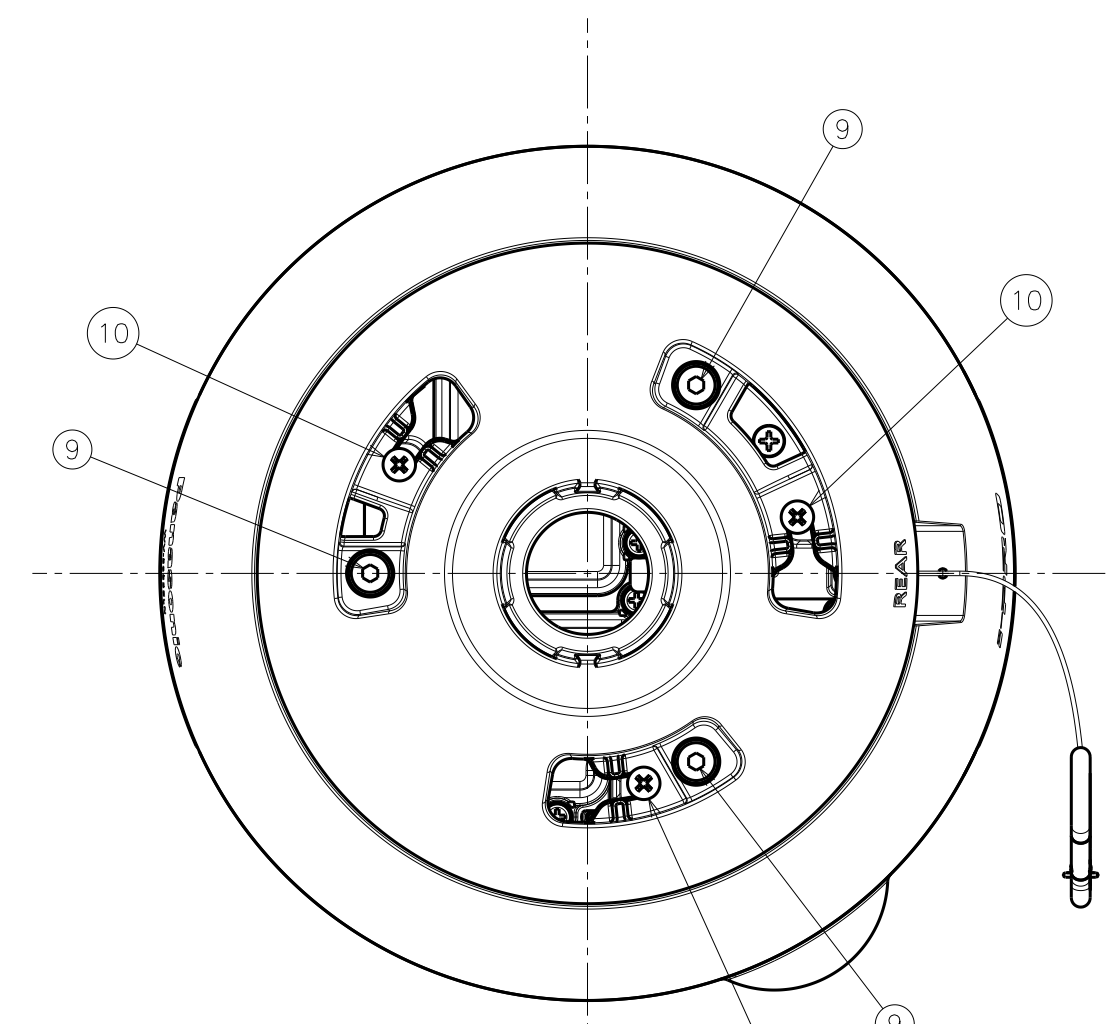
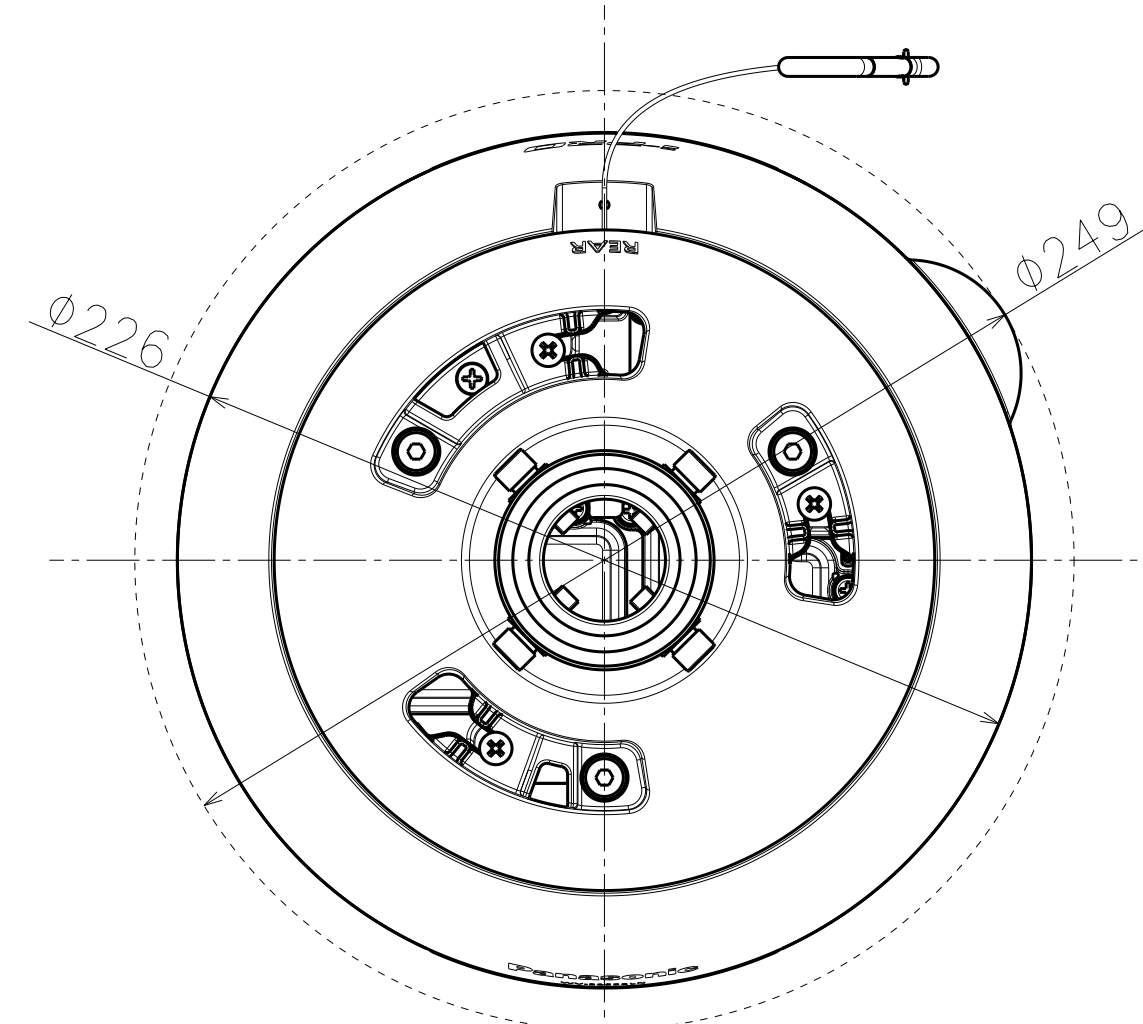


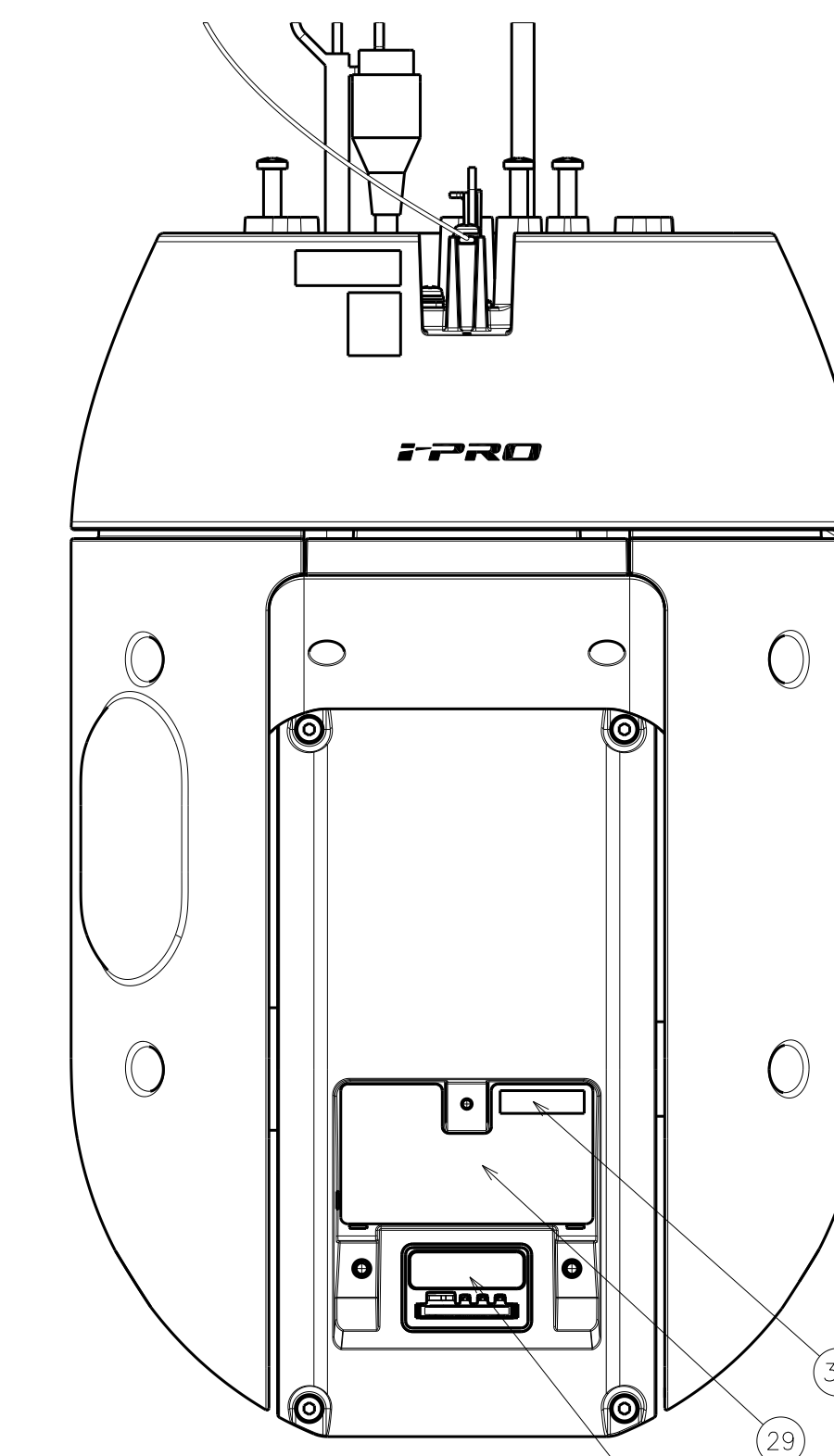
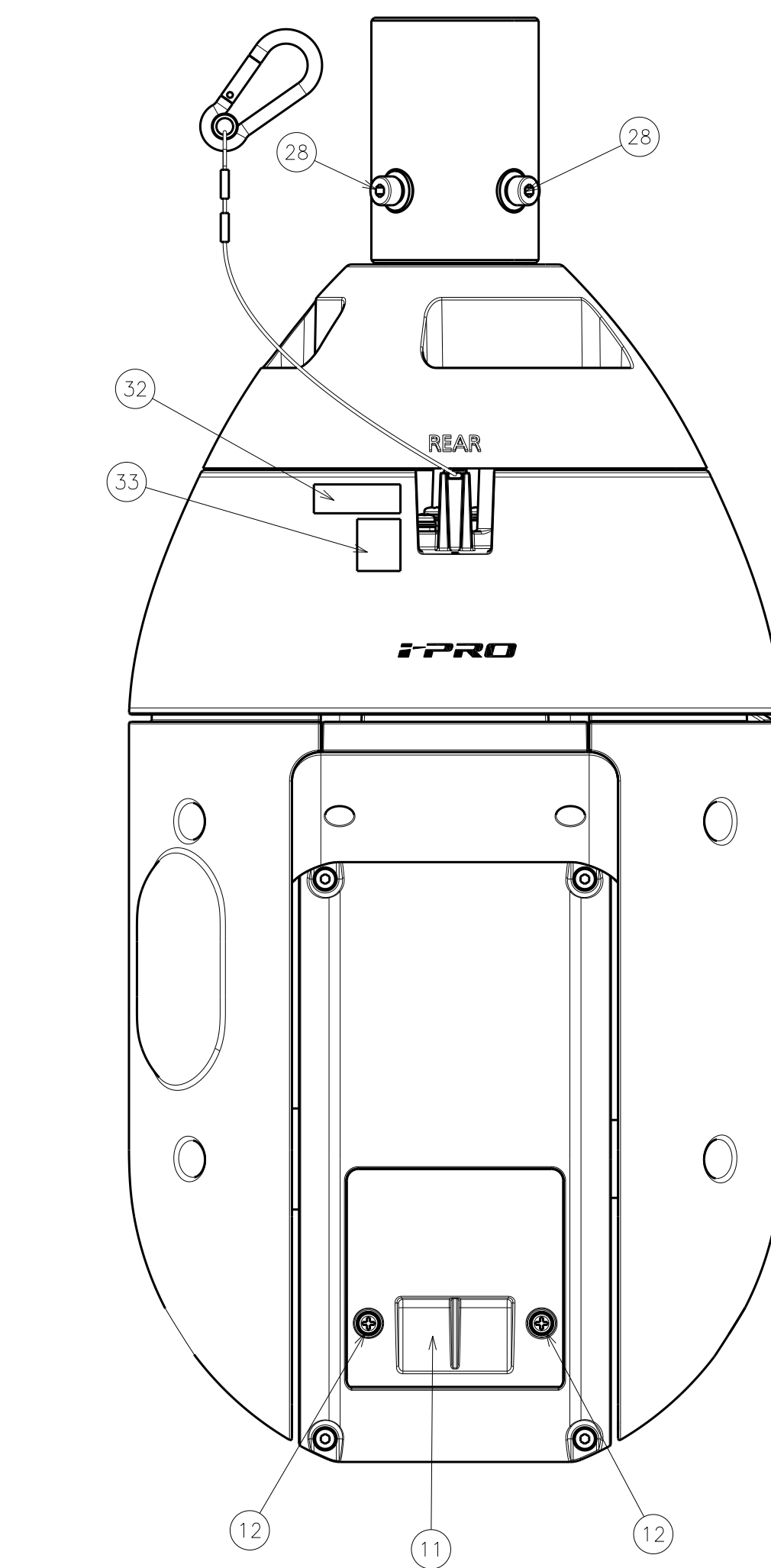
Remove Cable cover



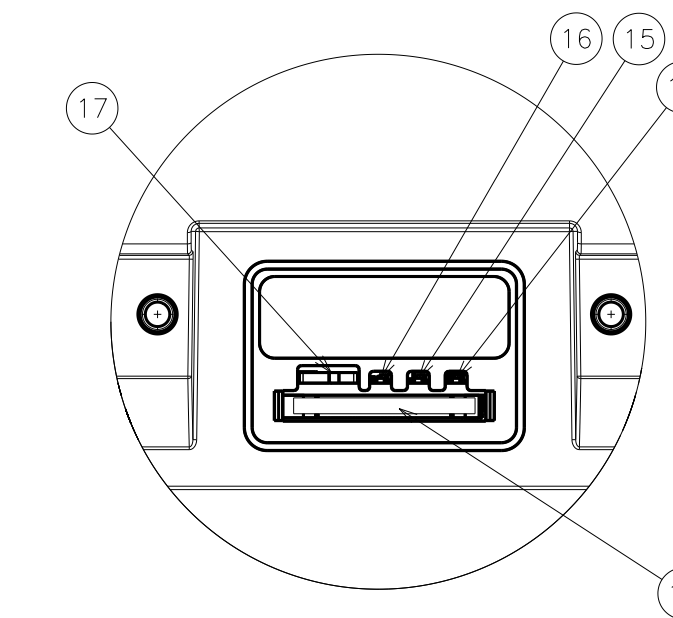
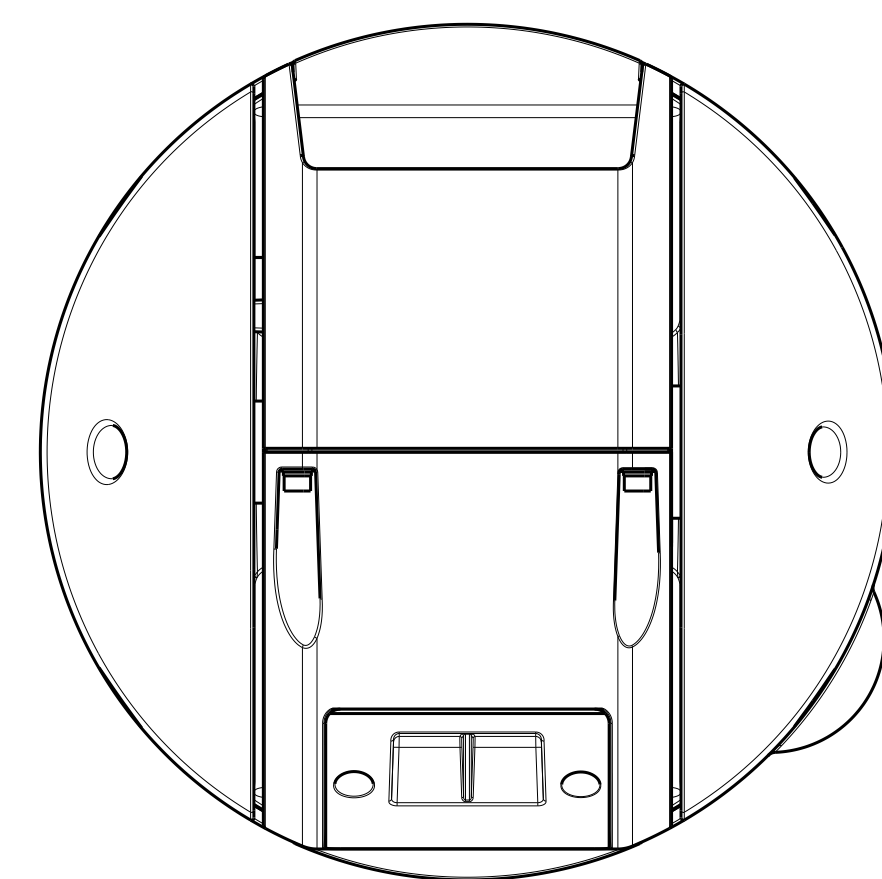
Remove Cable case



Remove ATTACHMENT



Remove SD slot cover / Connect



Remove SD slot cover

No.	Part Name	Material	Process-Remark
1	Camera unit	-	
2	TILT arm unit	-	
3	TILT support arm unit	-	
4	IR LED	-	
5	PAN unit	-	
6	Pedestal unit	-	
7	Connect	Aluminium die cast	
8	Safety wire	Stainless Steel	
9	Pedestal unit fixing screw	Stainless Steel M6 (3pcs)	
10	Mounting guide pin	Steel (3pcs)	
11	SD slot cover	PC+ABS	
12	SD slot cover fixing screw	Stainless Steel M4 (2pcs)	
13	SD slot	-	
14	SD ERROR indicator	-	
15	ACT indicator	-	
16	LINK indicator	-	
17	INITIAL SET button	-	
18	Wire hook	Stainless Steel	
19	Wire stopper	ABS	
20	Cable cover	PC+ABS (2pcs)	
21	Cable cover fixing screw	Stainless Steel M4 (8pcs)	
22	RJ45 Network cable	-	
23	Alarm I/O cable	-	
24	Audio output cable (black)	-	Black
25	Audio input cable (white)	-	White
26	Power cable (AC 24V)	-	
27	Attachment pipe	Aluminium die cast	
28	Bracket fixing screw	Stainless Steel M6 (4pcs)	
29	Name plate	Polyester Film	Printing
30	Serial barcode label	Polyester Film	Printing
31	SD slot label	Polyester Film	Printing
32	Code label	Polyester Film	Printing
33	Data matrix label	Polyester Film	Printing
34	IR caution label	Polyester Film	Printing

	投影面积/Projected area
平面図/Top-view	0.041(㎡)
側面図/Side-view	0.083(㎡)