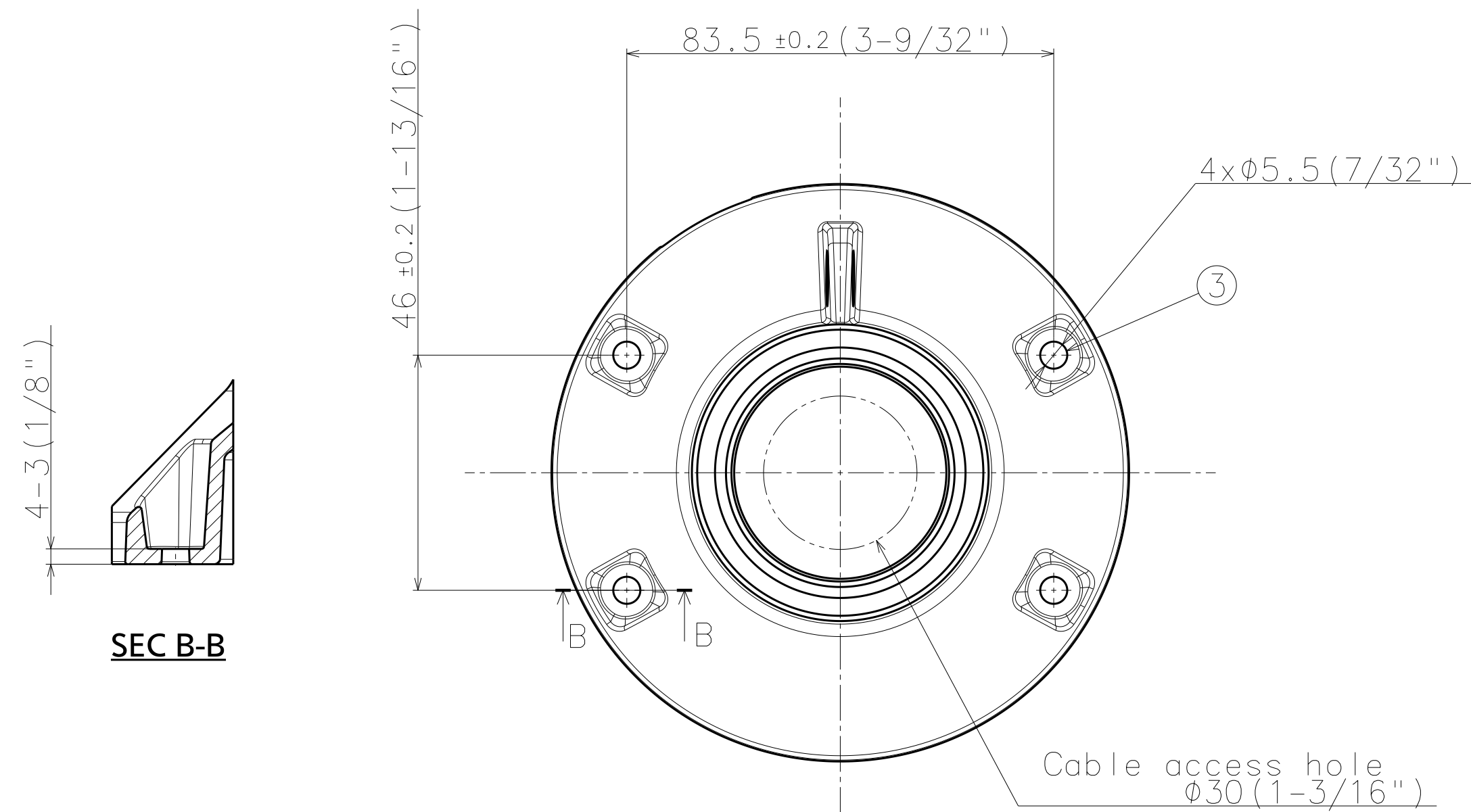
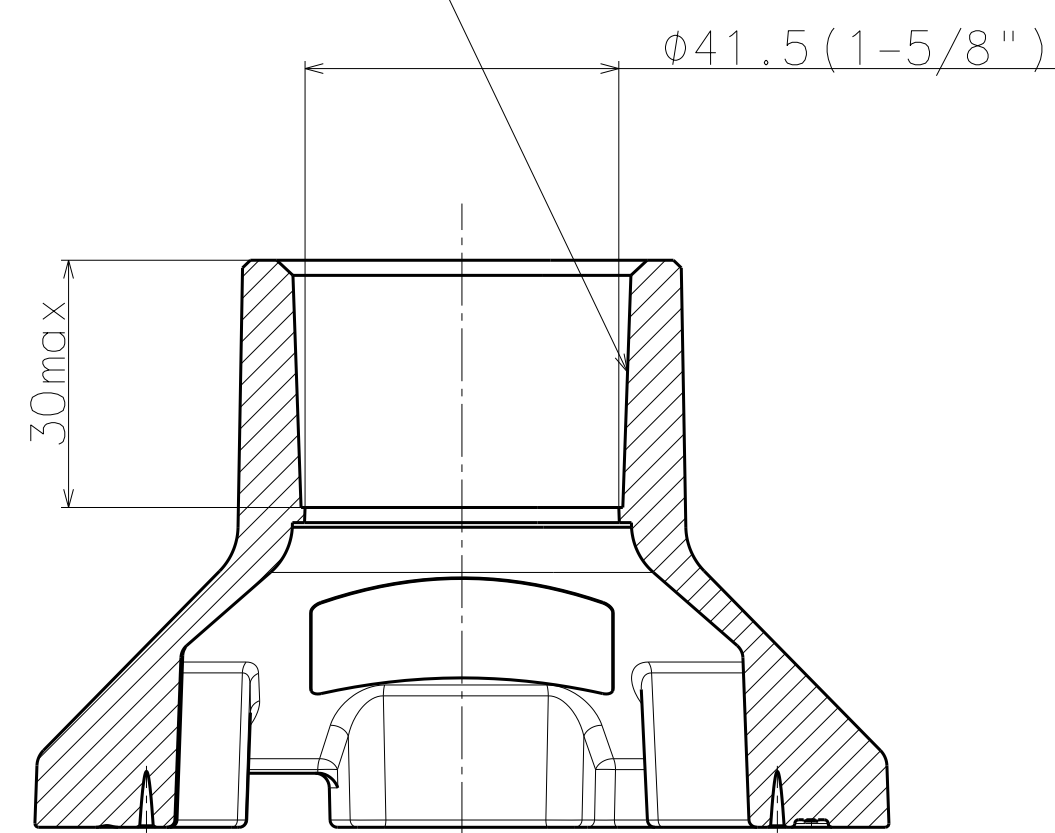


No.	品名	Part Name	Material	Process·Remark
1	カメラ天井吊り下げ金具	Ceiling Mount Bracket	Aluminium die cast	Coating (i-PRO white)
2	ワイヤー引っかけ穴	Wire hook hole	-	-
3	天井取付け孔	Mounting hole for ceiling	-	-
4	主銘板	Name plate	Polyester Film	Printing
5	シリアルバーコードラベル	Serial barcode label	Polyester Film	Printing

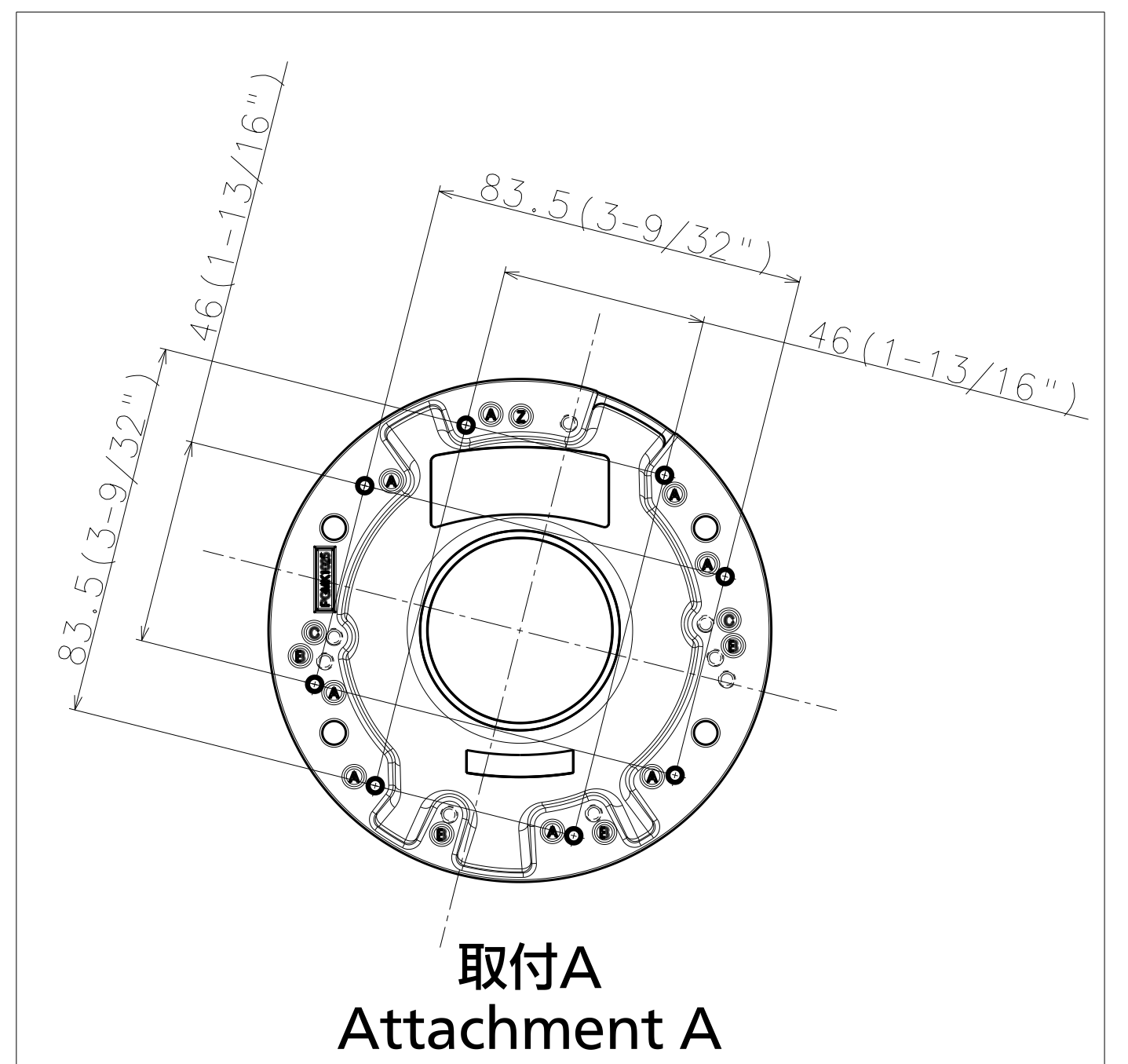
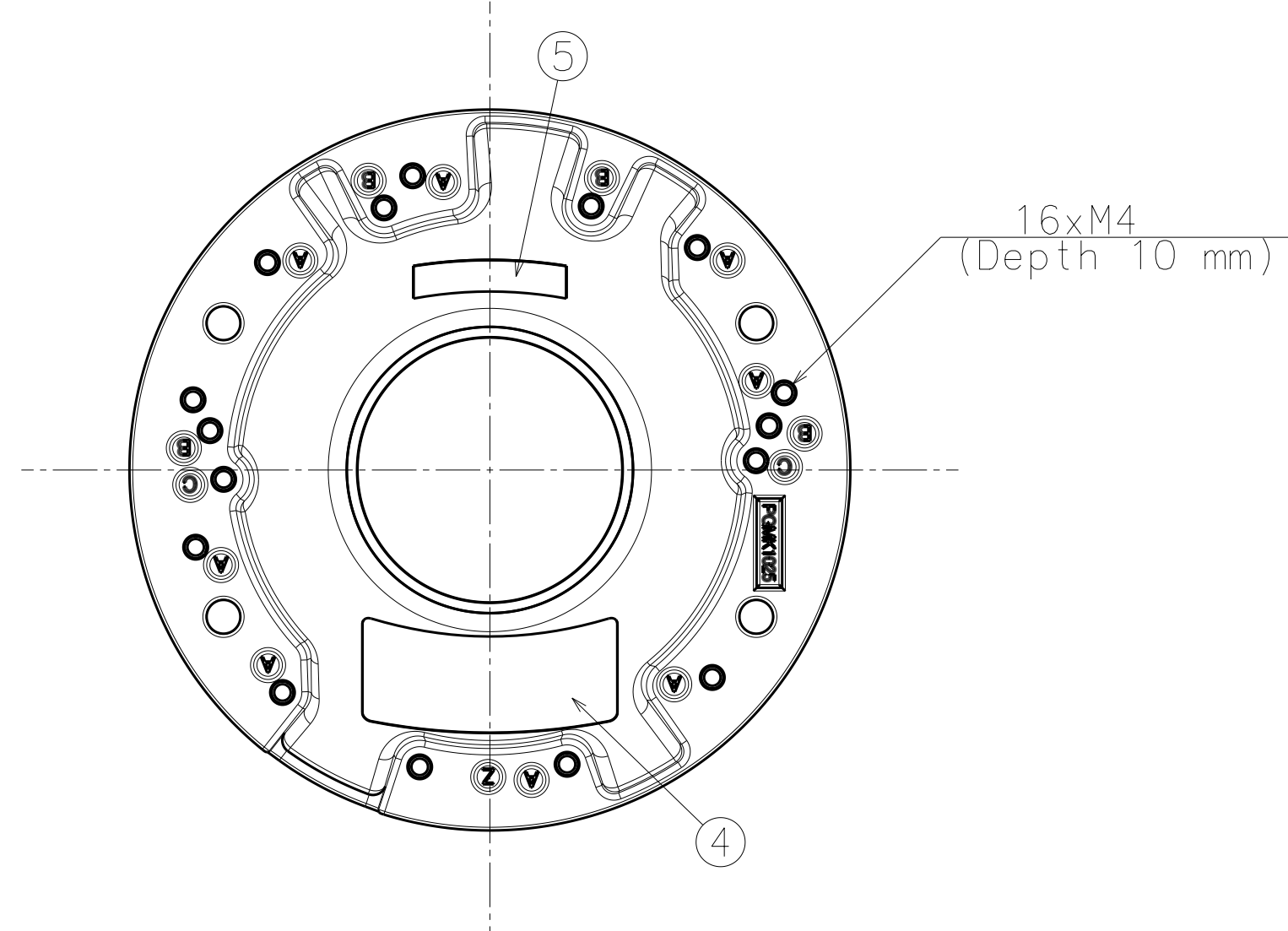
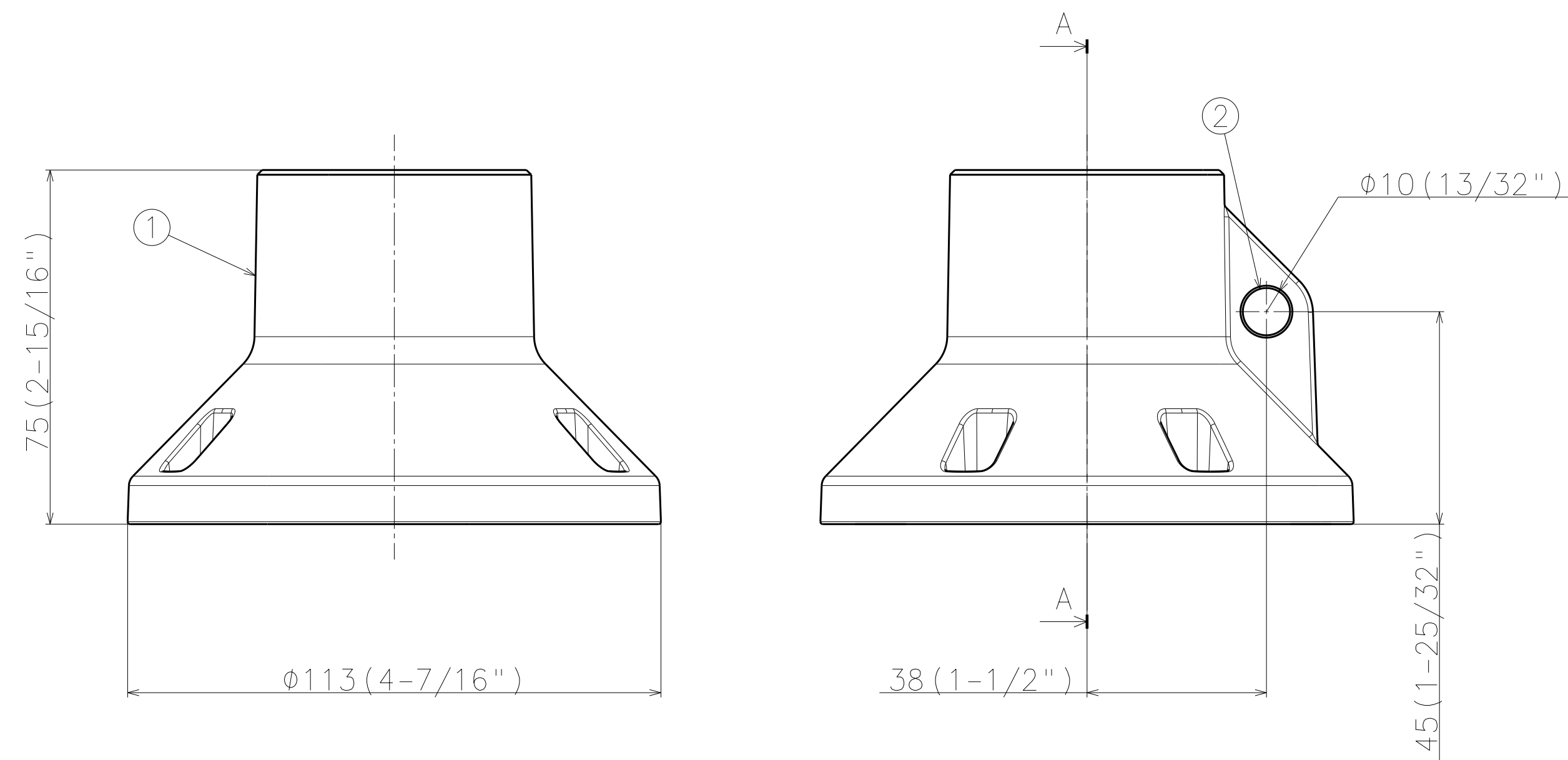


SEC B-B

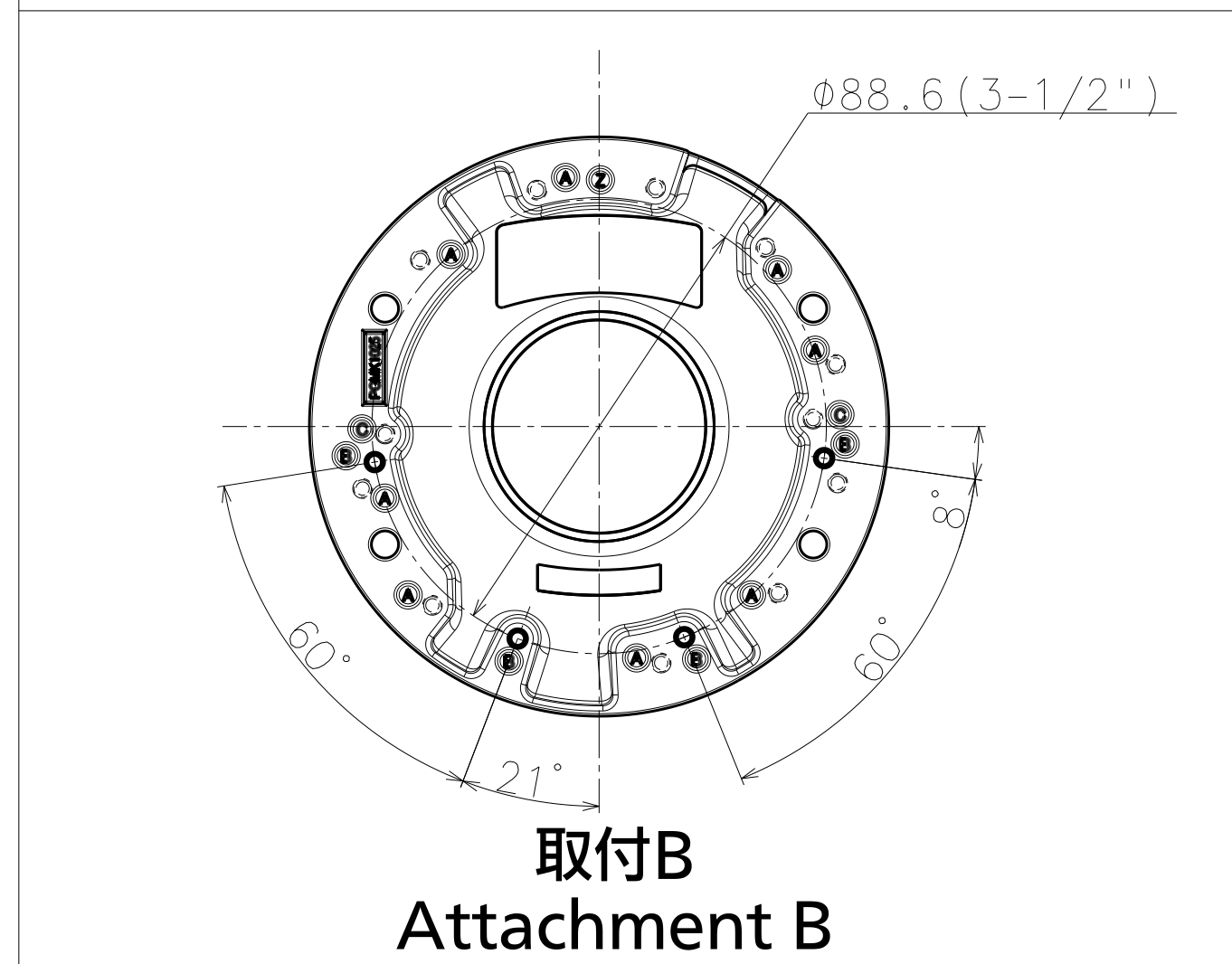
Rp 1-1/2, 11 crest,
deep 30 MAX
(Parallel pipe straight)



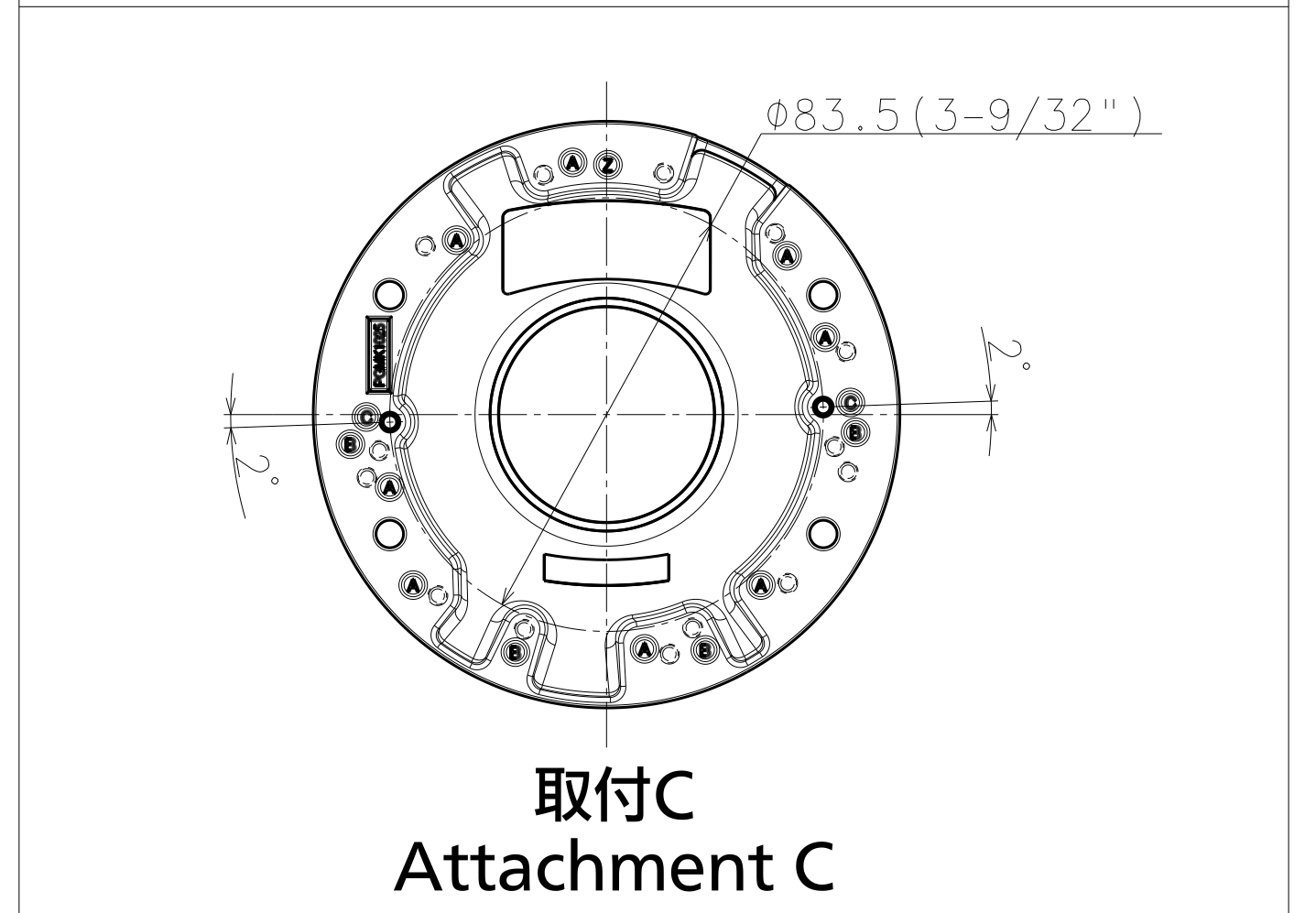
SEC A-A



取付A
Attachment A



取付B
Attachment B

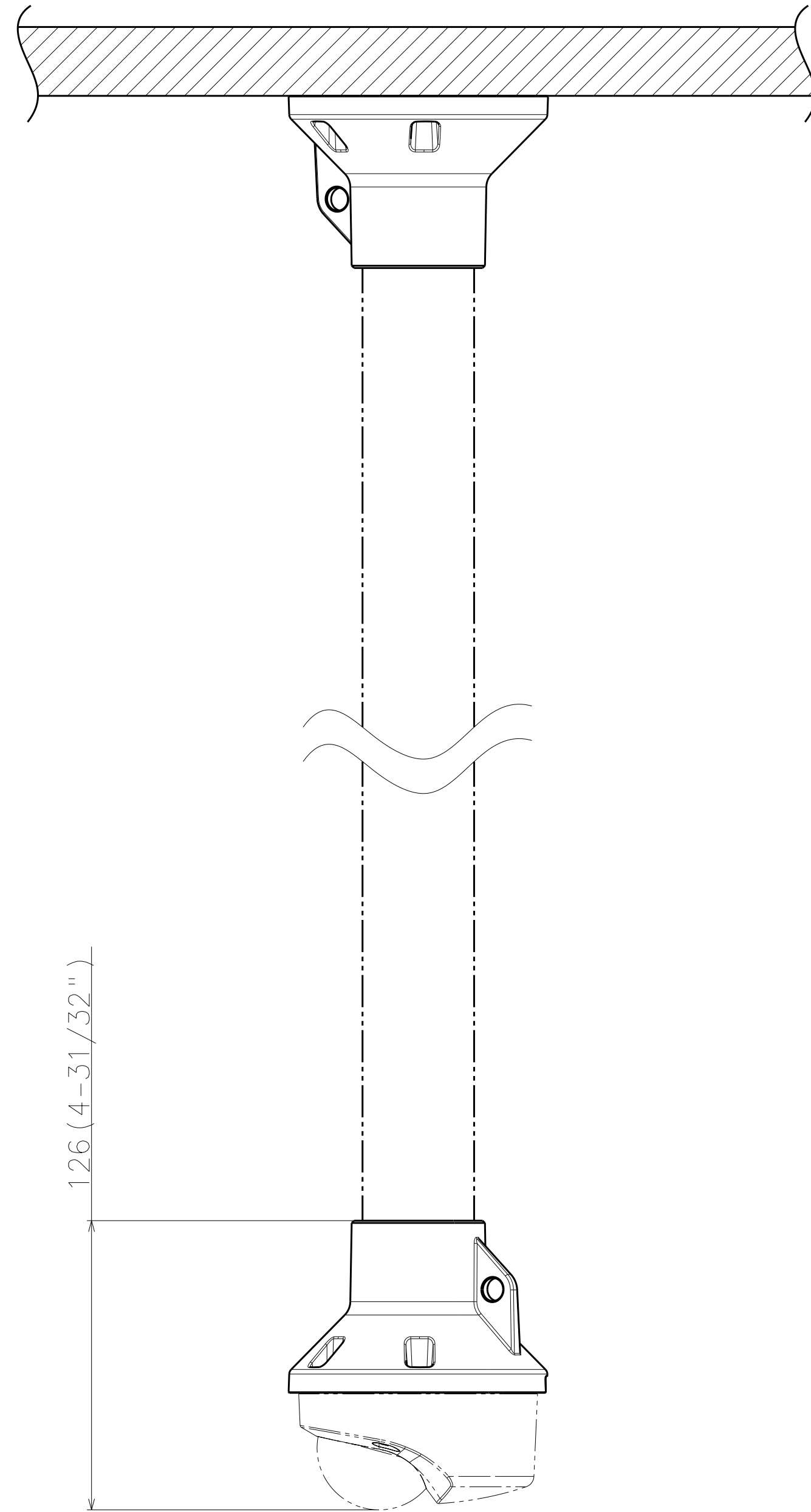


取付C
Attachment C

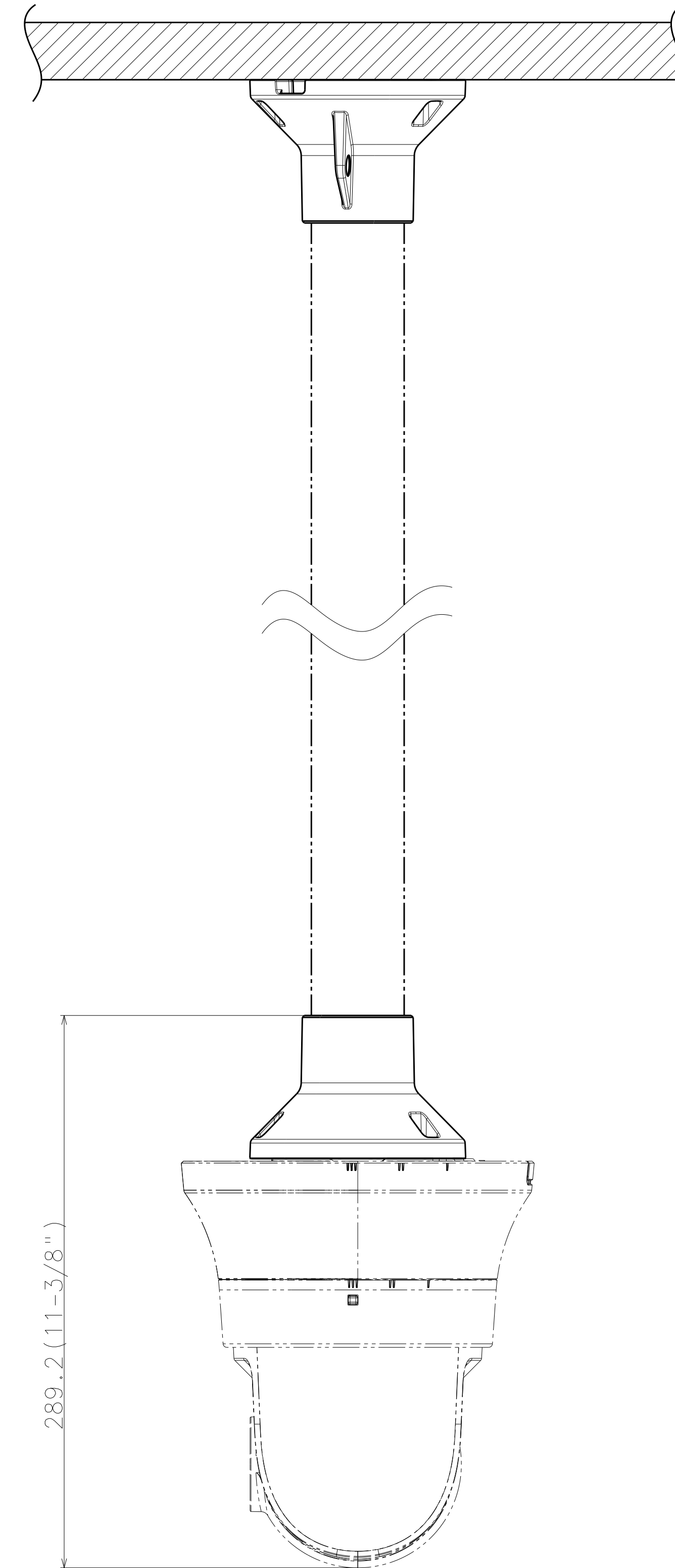
Weight : Approx. 300 g {0.66 lbs}

WV-QCL100-W(WV-QCL100-WUYS)

Connect to WV-S3131L



Connect to WV-S6131



WV-QCL100-W (WV-QCL100-WUYS)