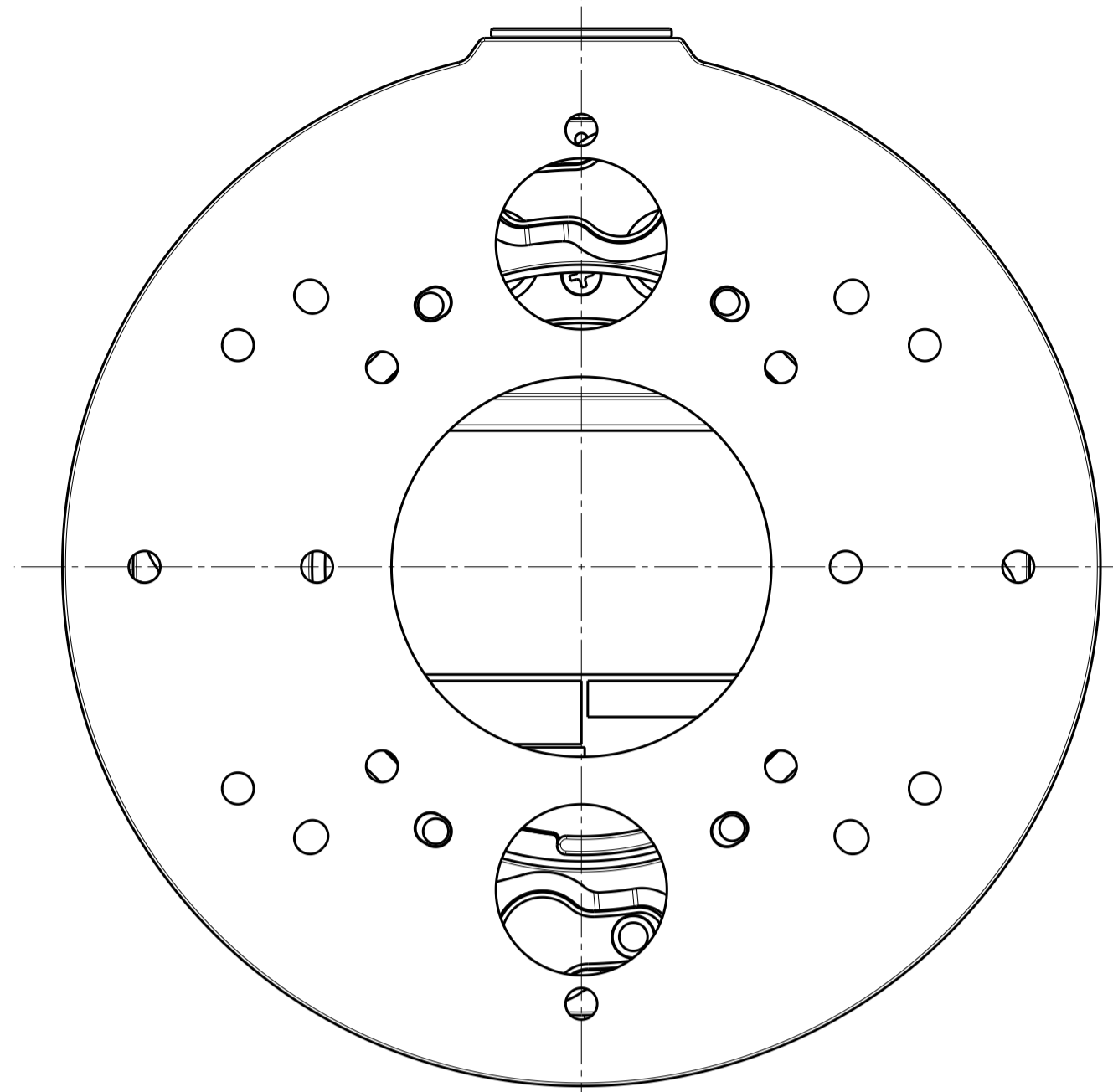


	投影面積/Projected area
側面図/Side-view	0.011 (m2)

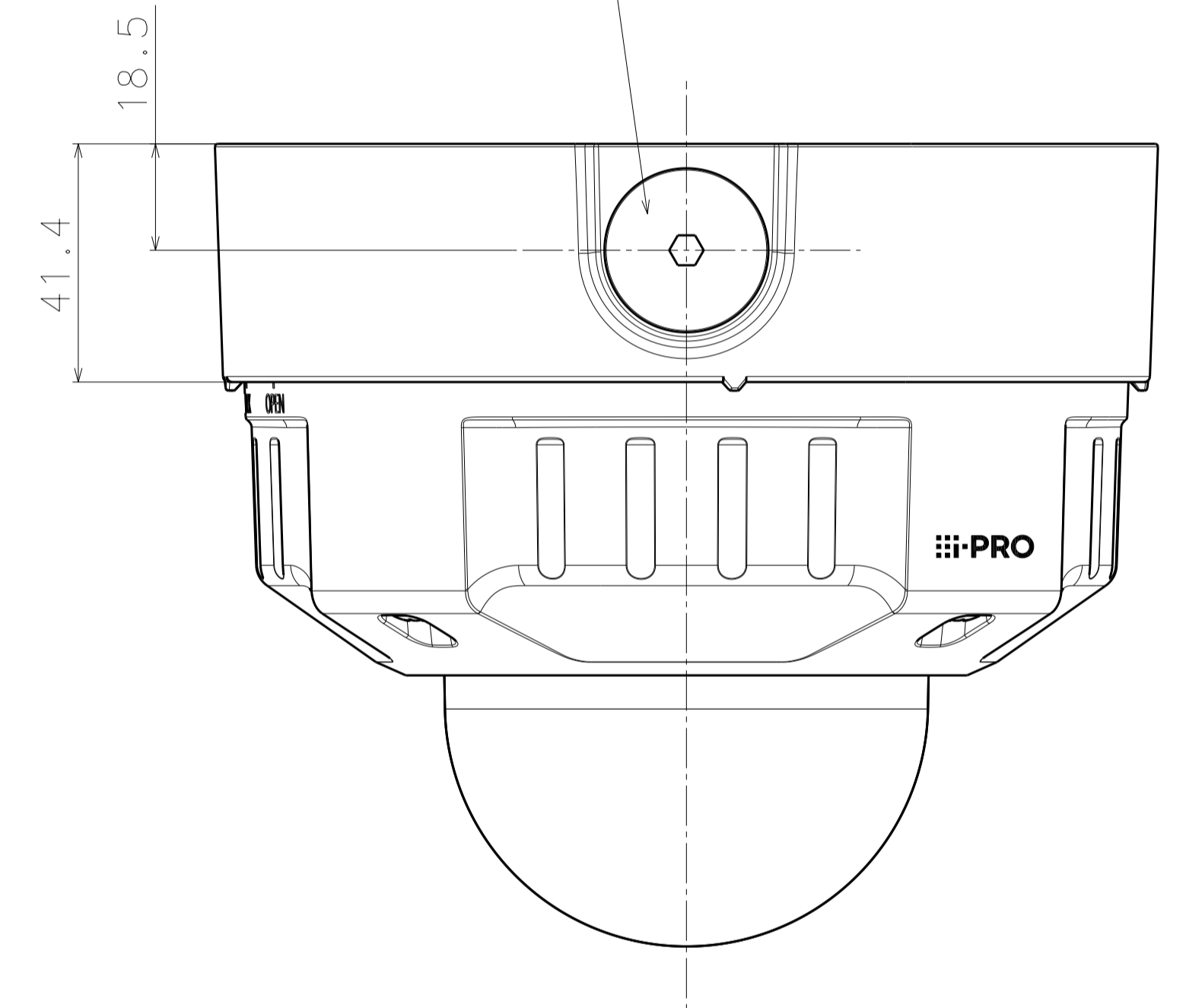
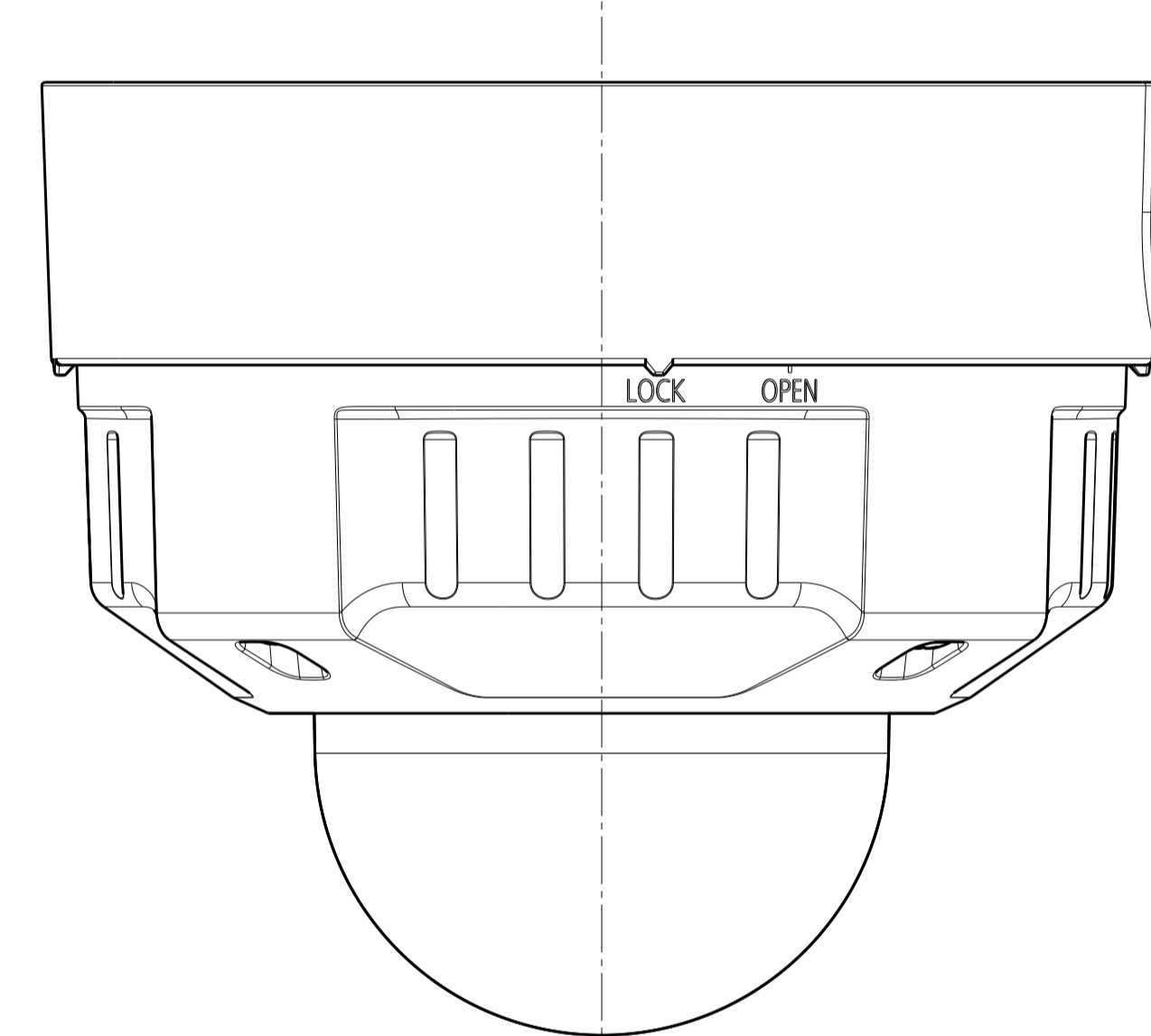
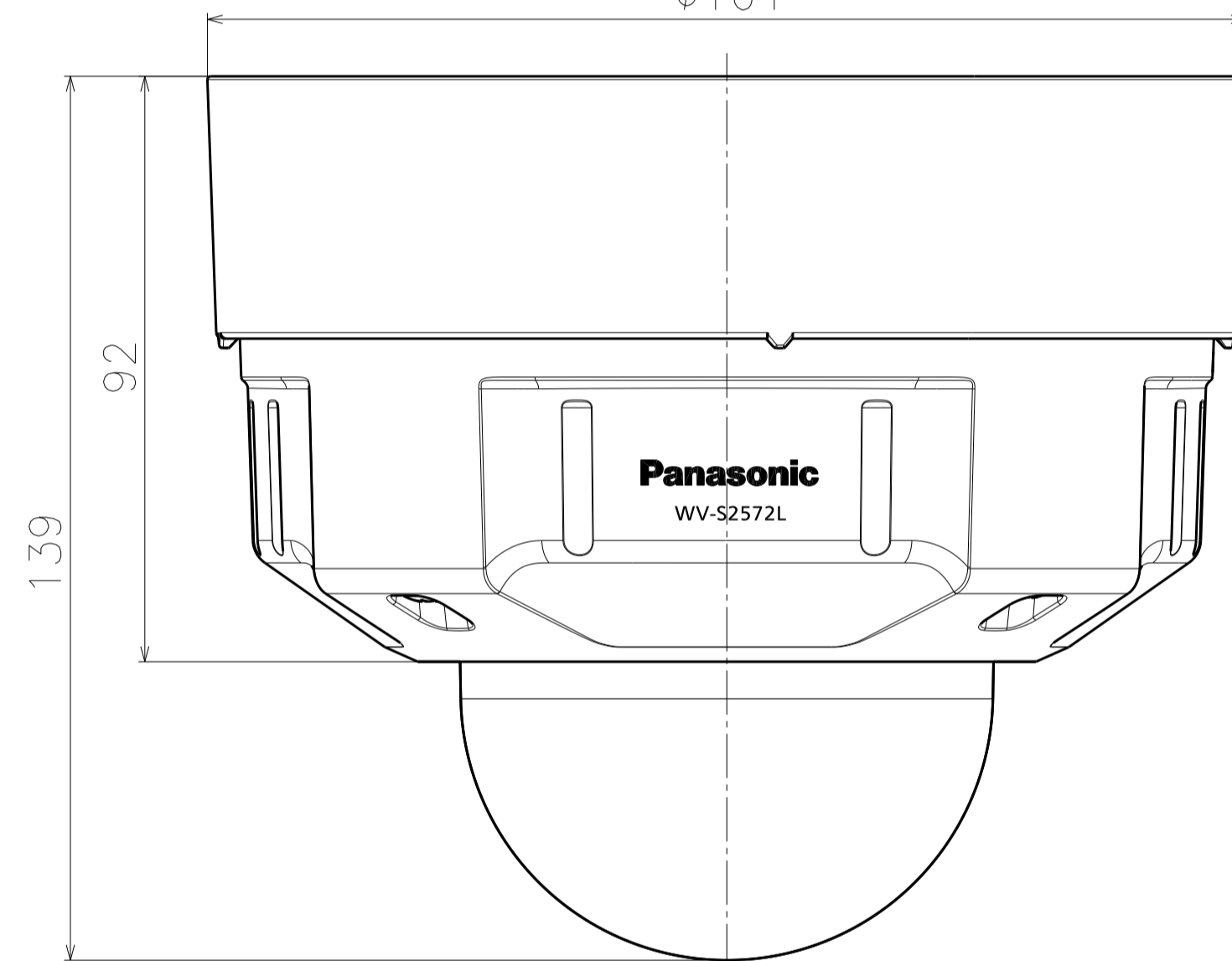
Weight : Approx. 1.2 kg {2.65 lbs} (When using the Attachment plate)

With Attachment plate

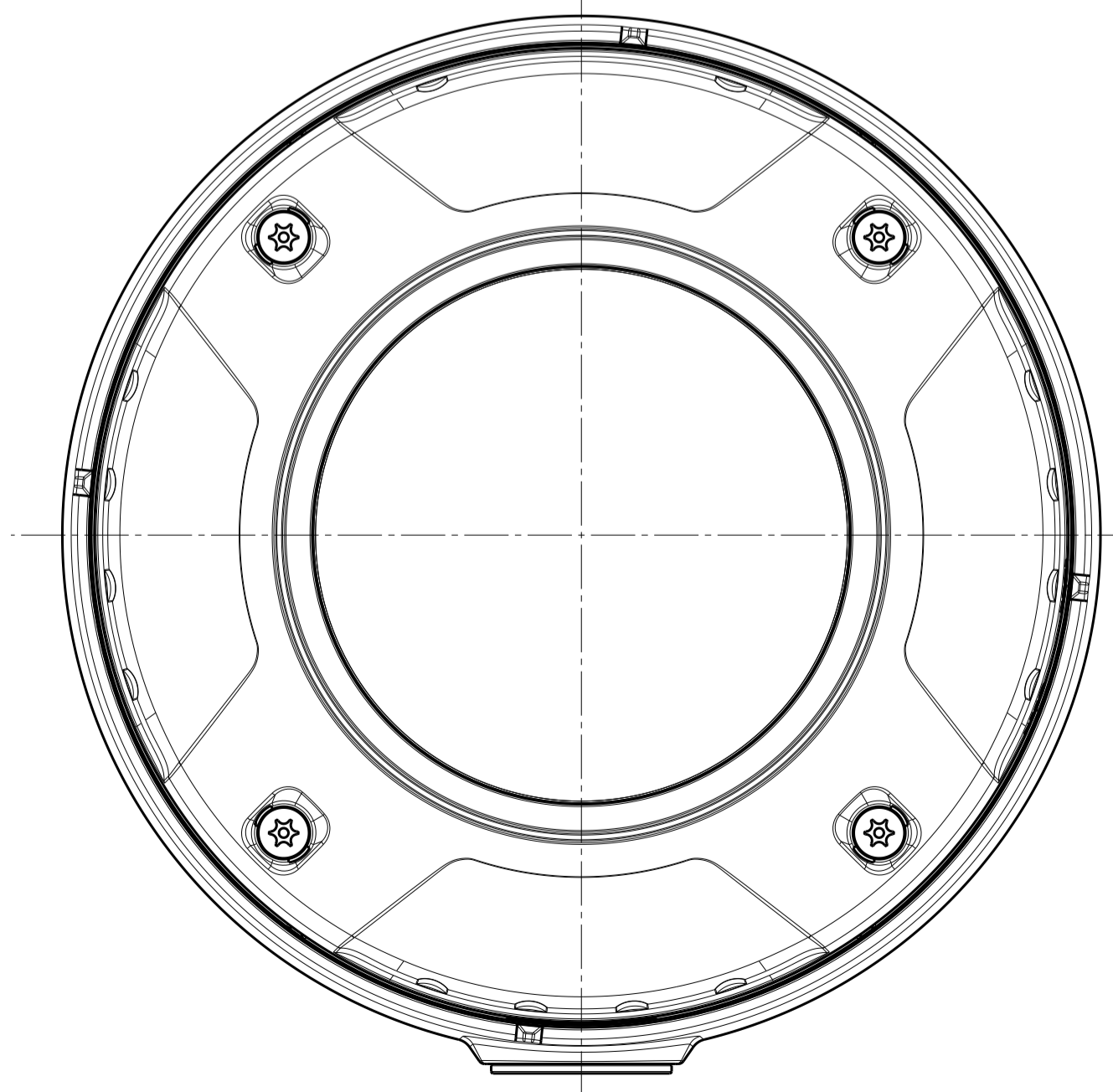
WV-S2572L



Φ164



接続管用ねじ
CTG22 または G3/4
female thread for conduit
NPSM3/4 or G3/4

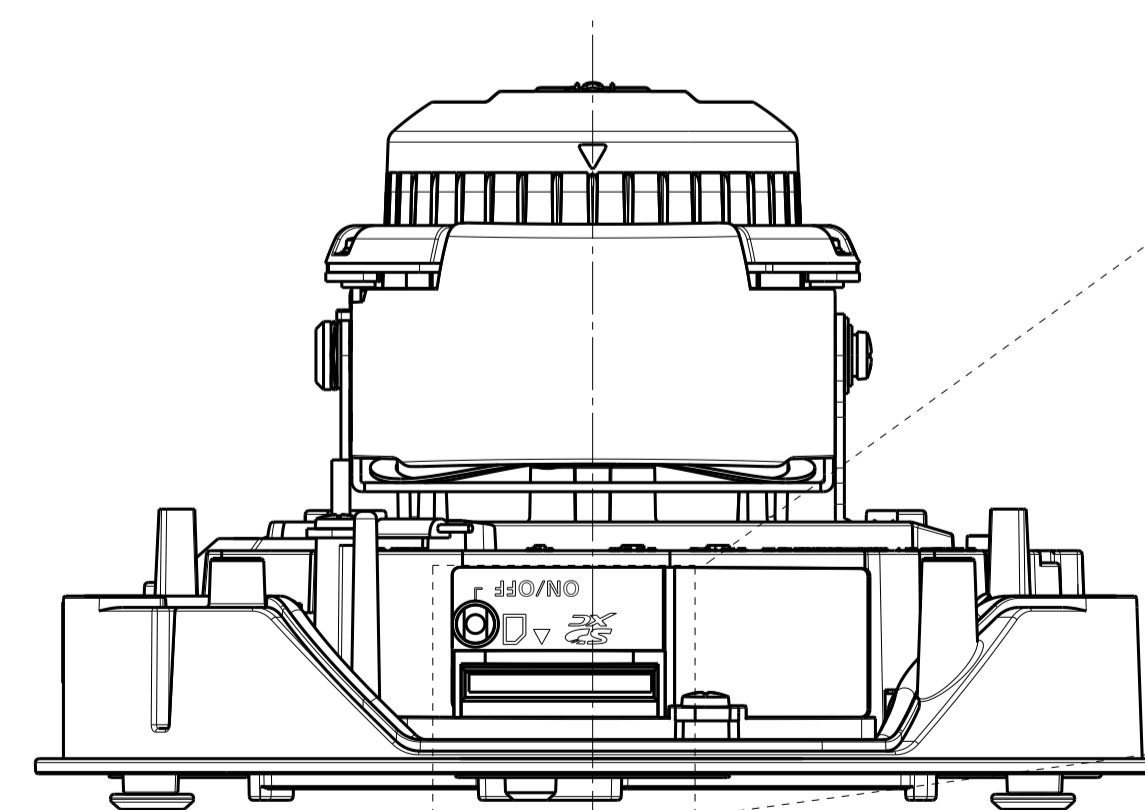
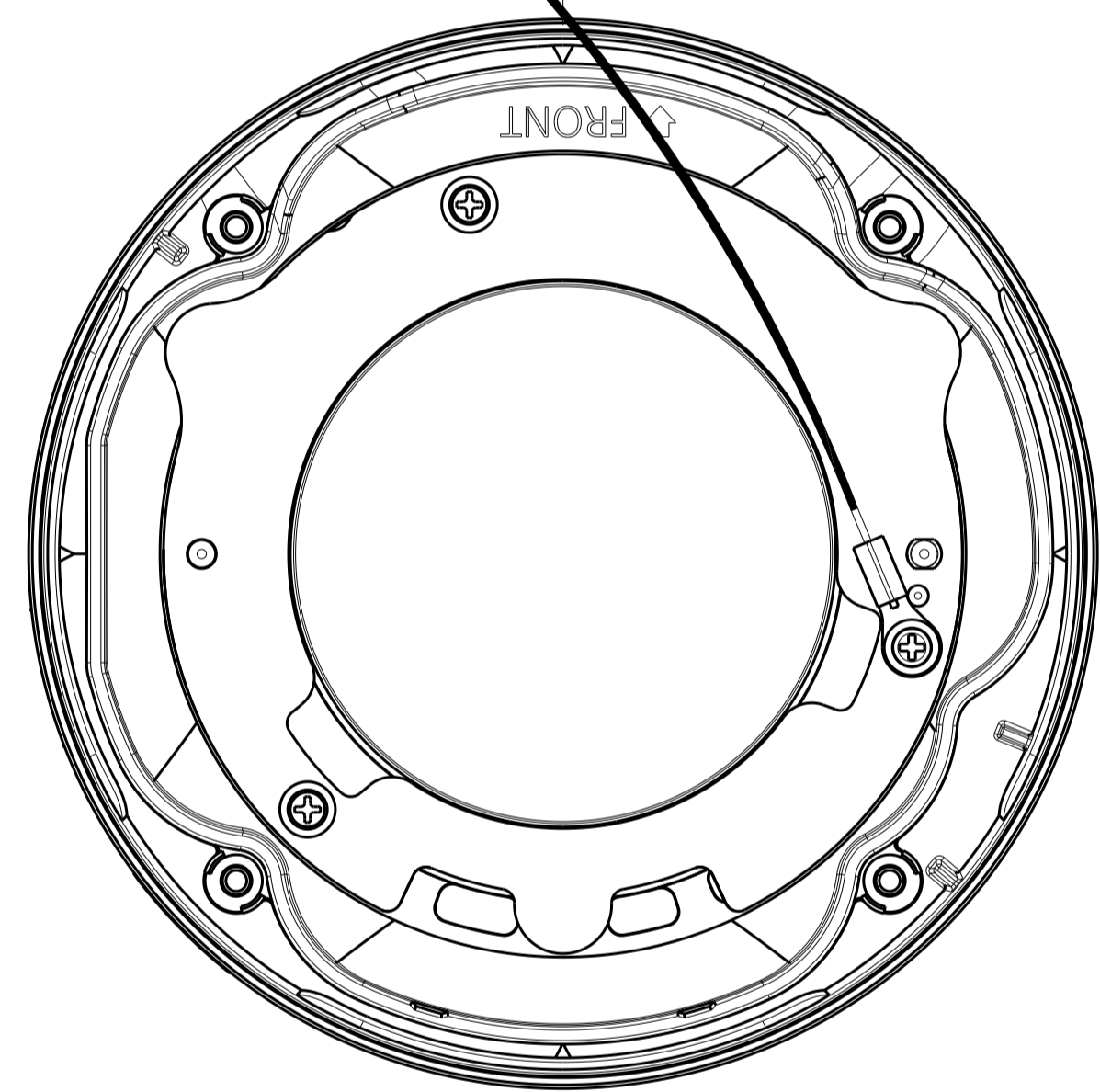
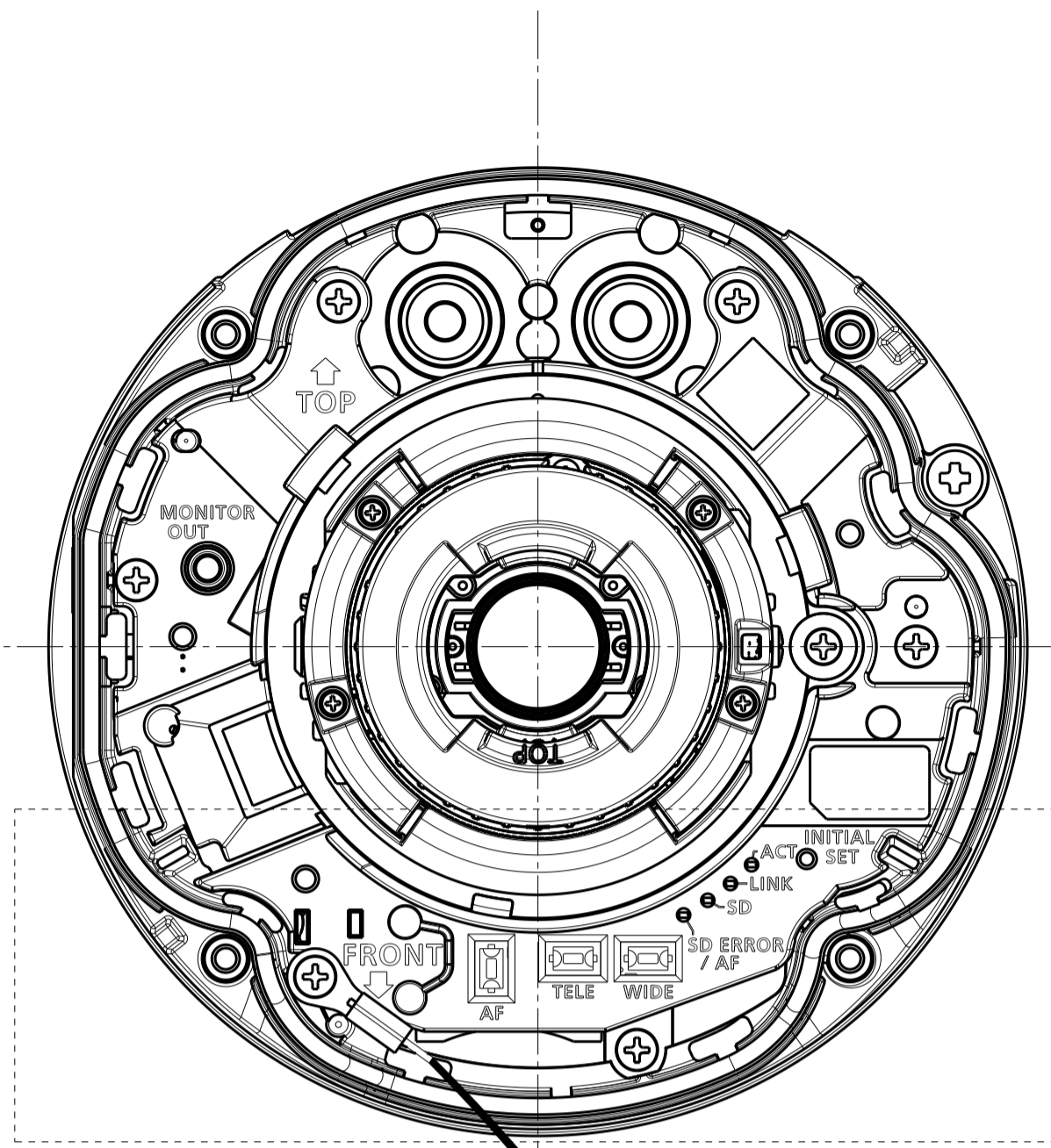
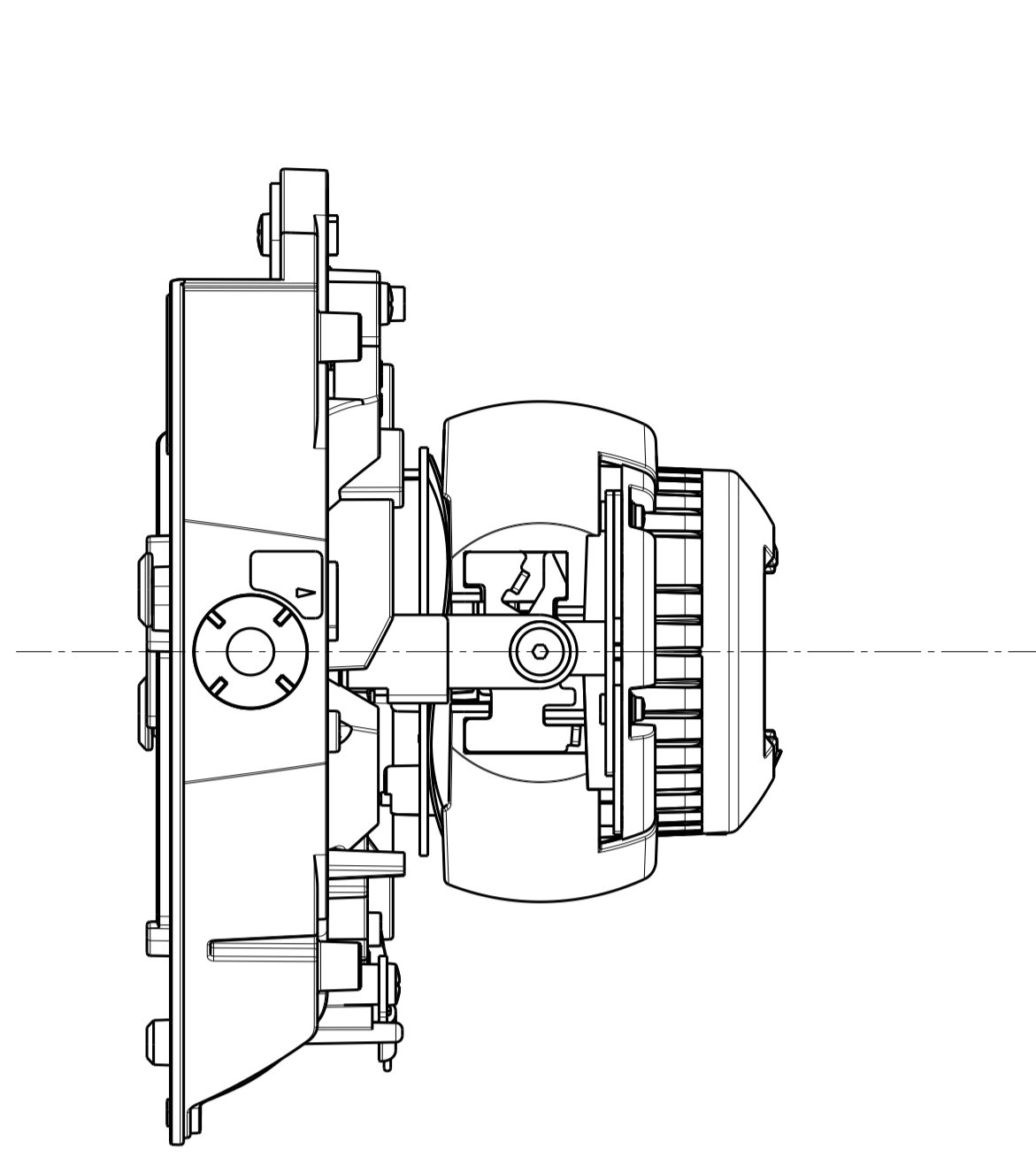


With Base bracket

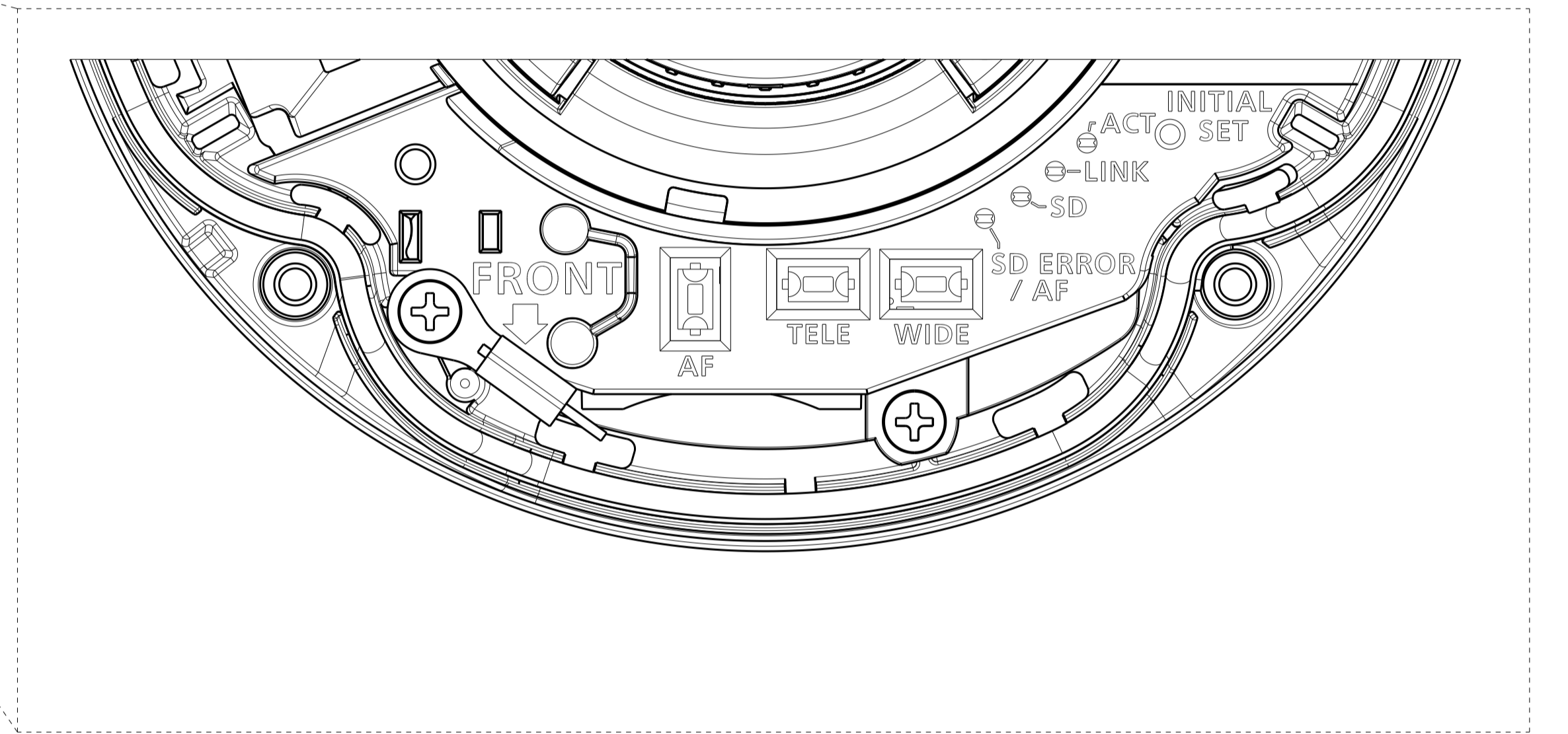
	投影面積/Projected area (With Base bracket)
側面図/Side-view	0.017 (m ²)

Weight : Approx. 1.6 kg {3.53 lbs} (When using the Base bracket)

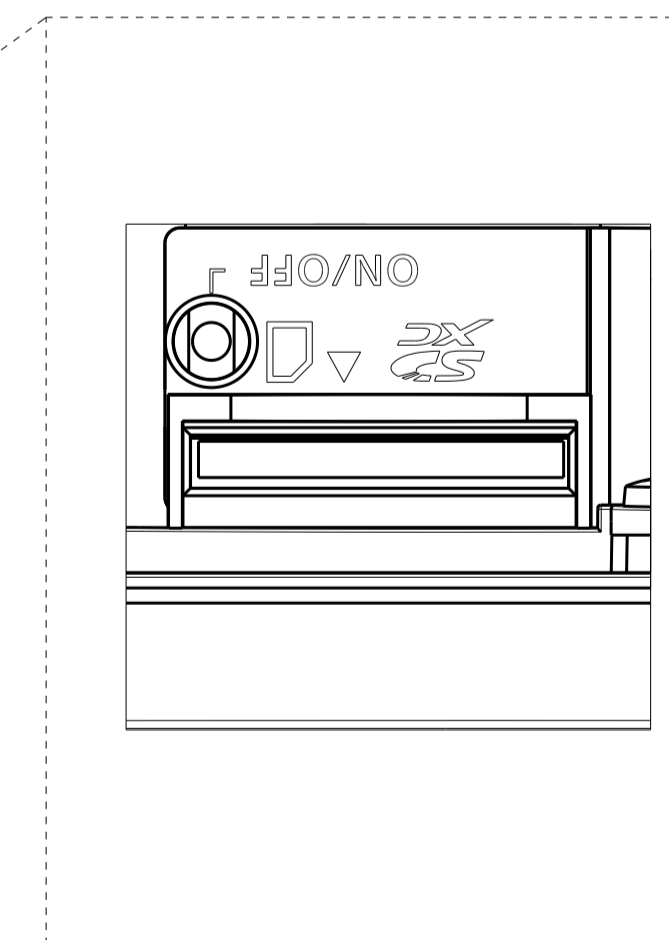
WV-S2572L



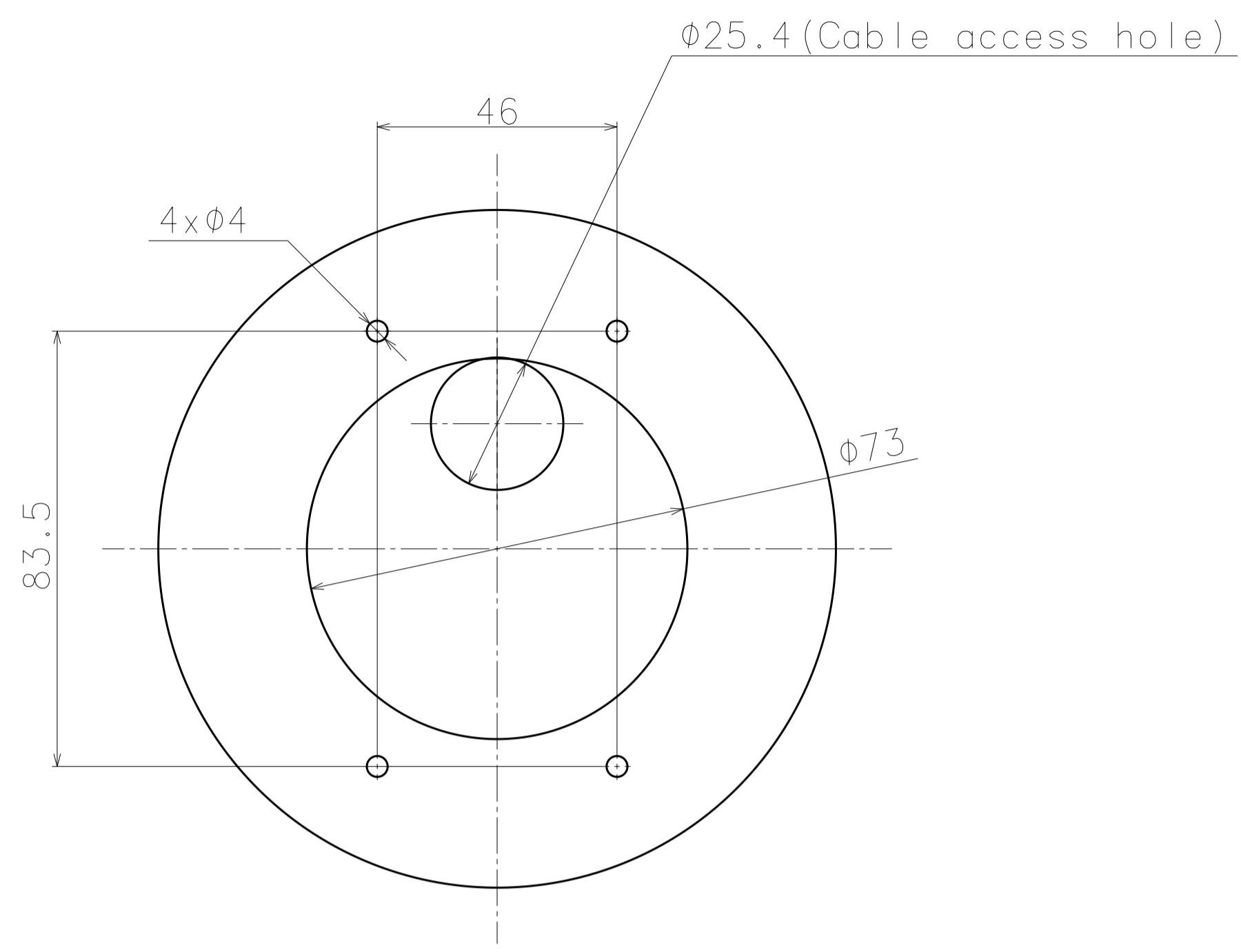
Without Enclosure



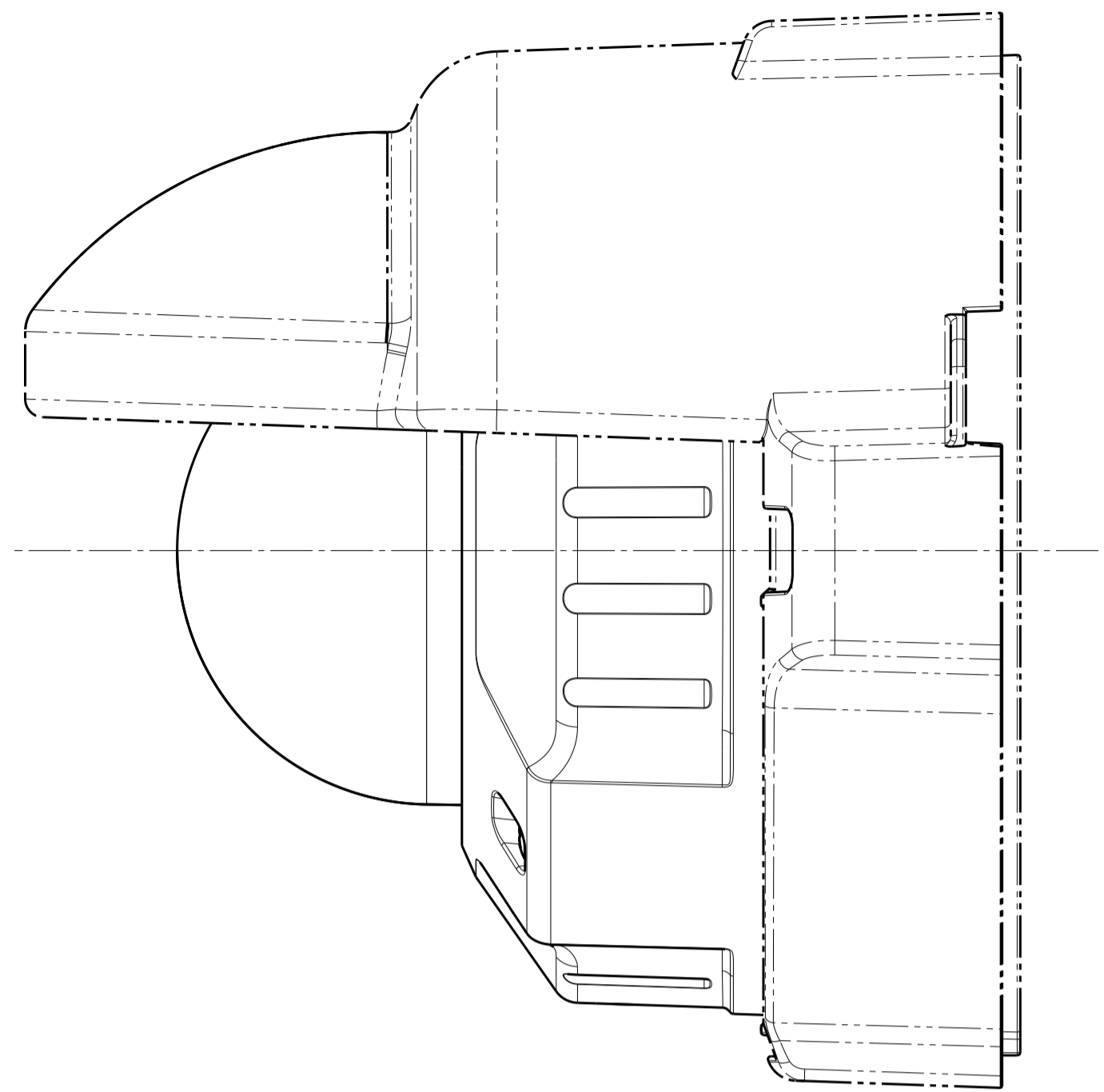
S=2:1



S=2:1

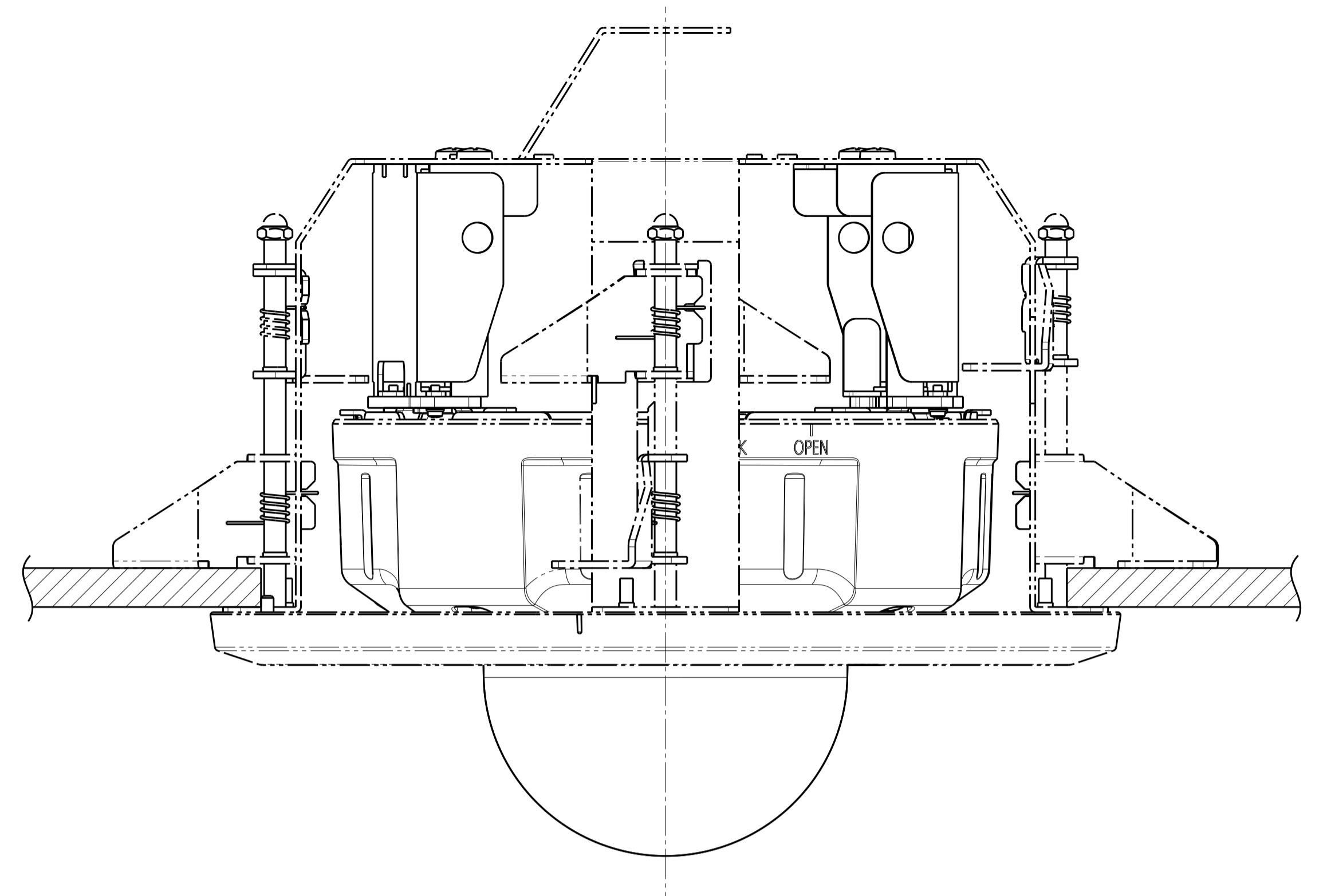


Template for mounting

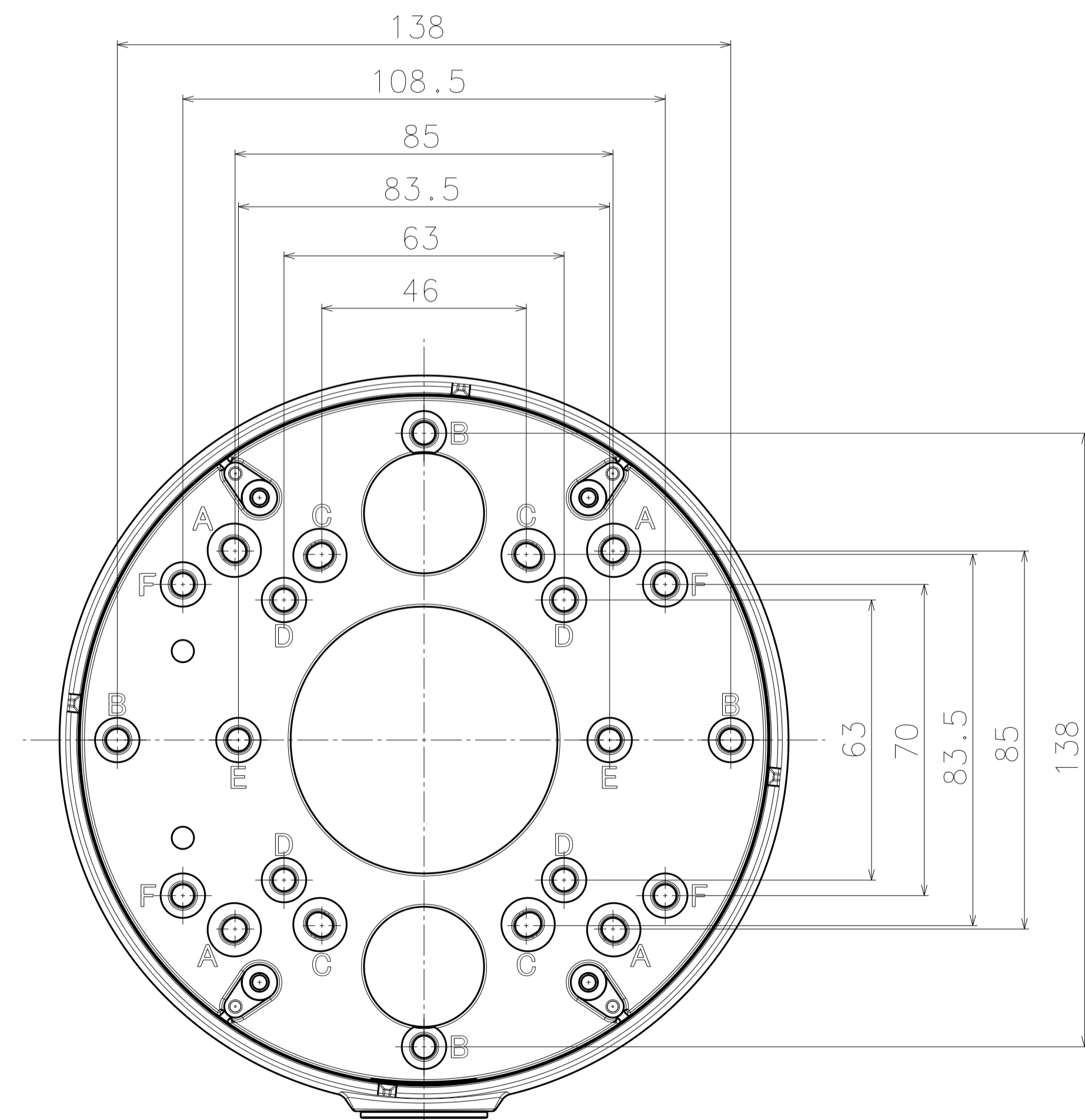


Attach to WV-QSR500-W

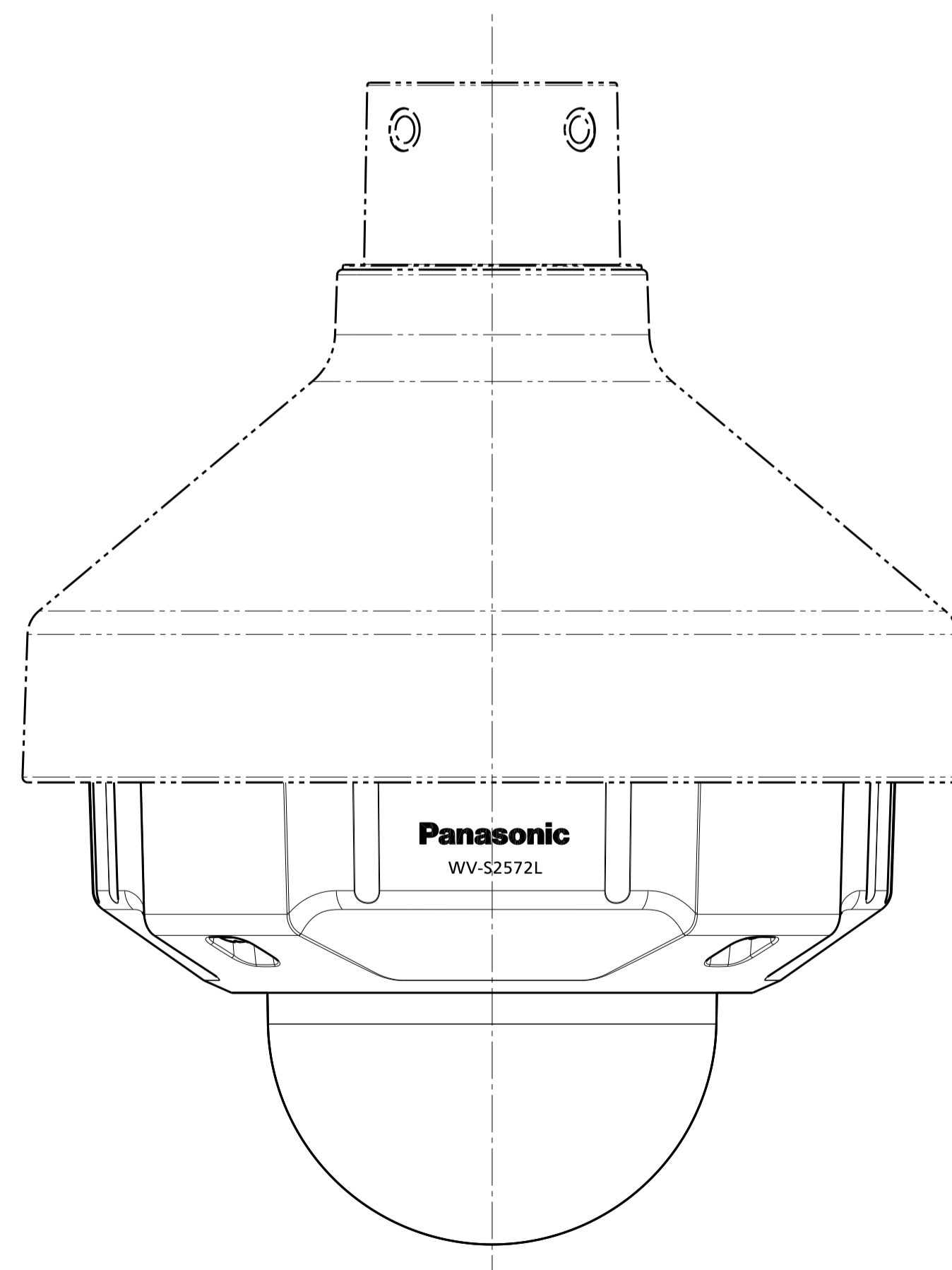
投影面積/Projected area
側面図/Side-view 0.021 (m2)



Attach to WV-QEM500-W

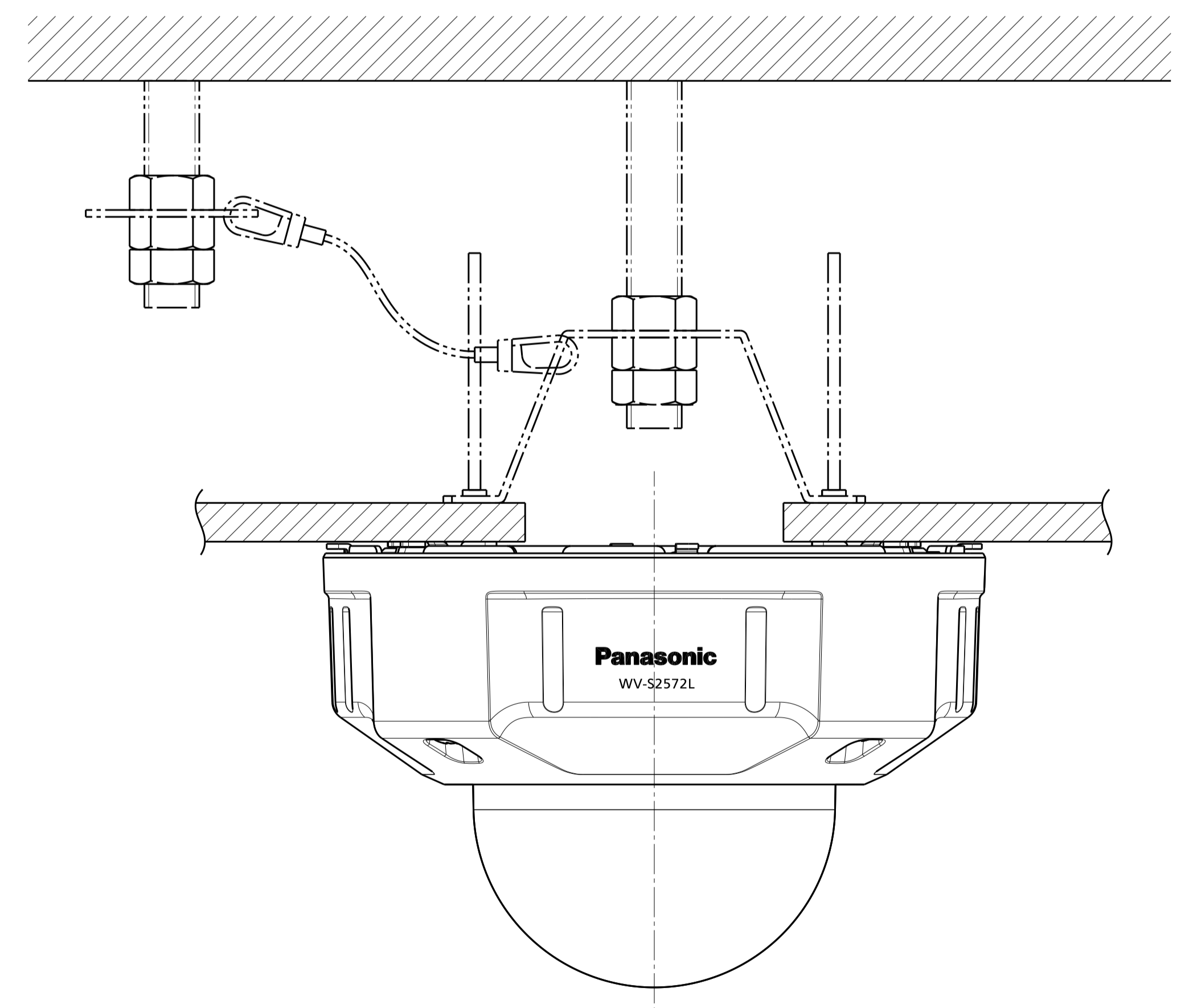


Mounting hole layout



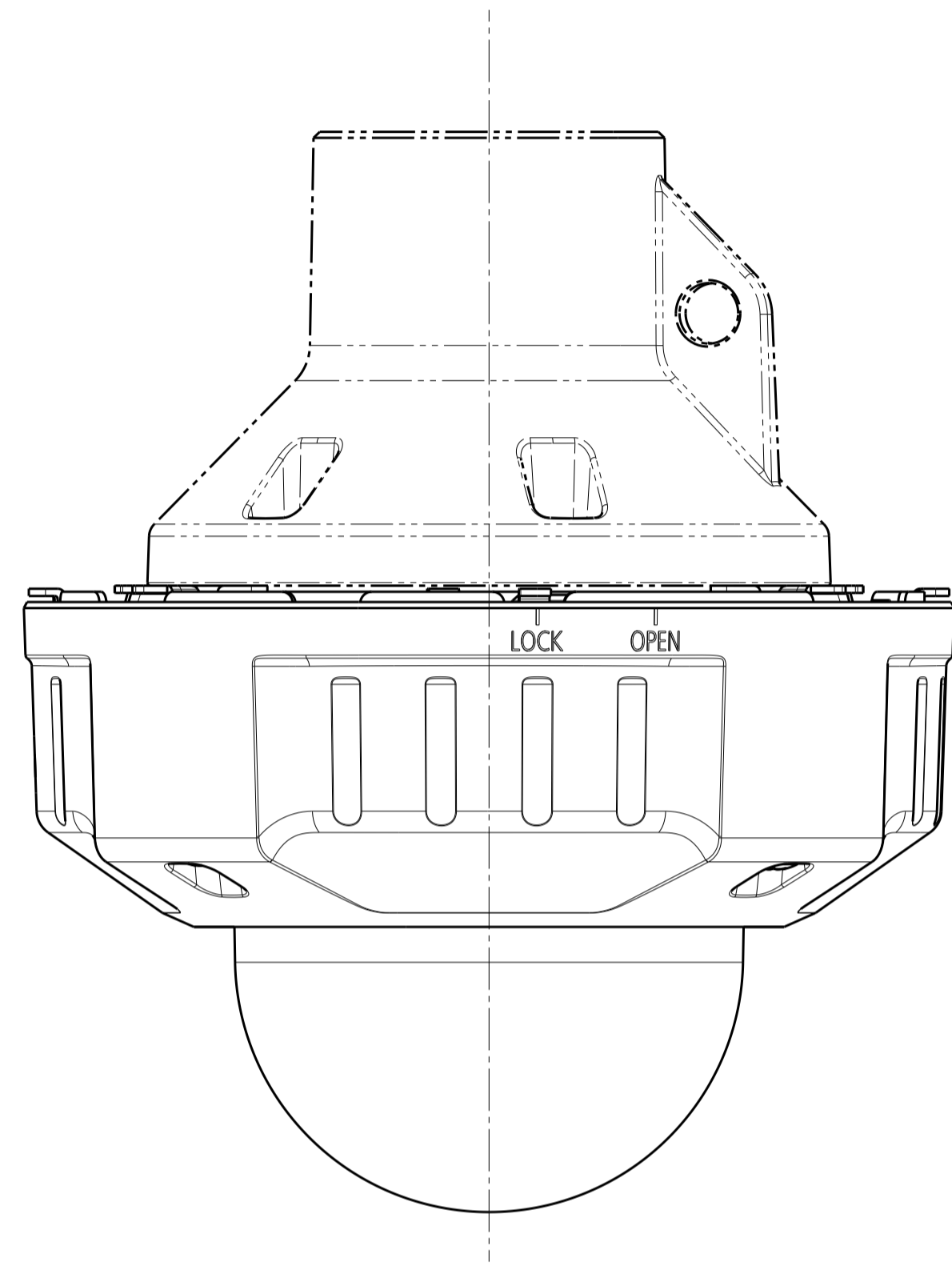
Attach to WV-QSR501-W

投影面積/Projected area
側面図/Side-view 0.021 (m2)

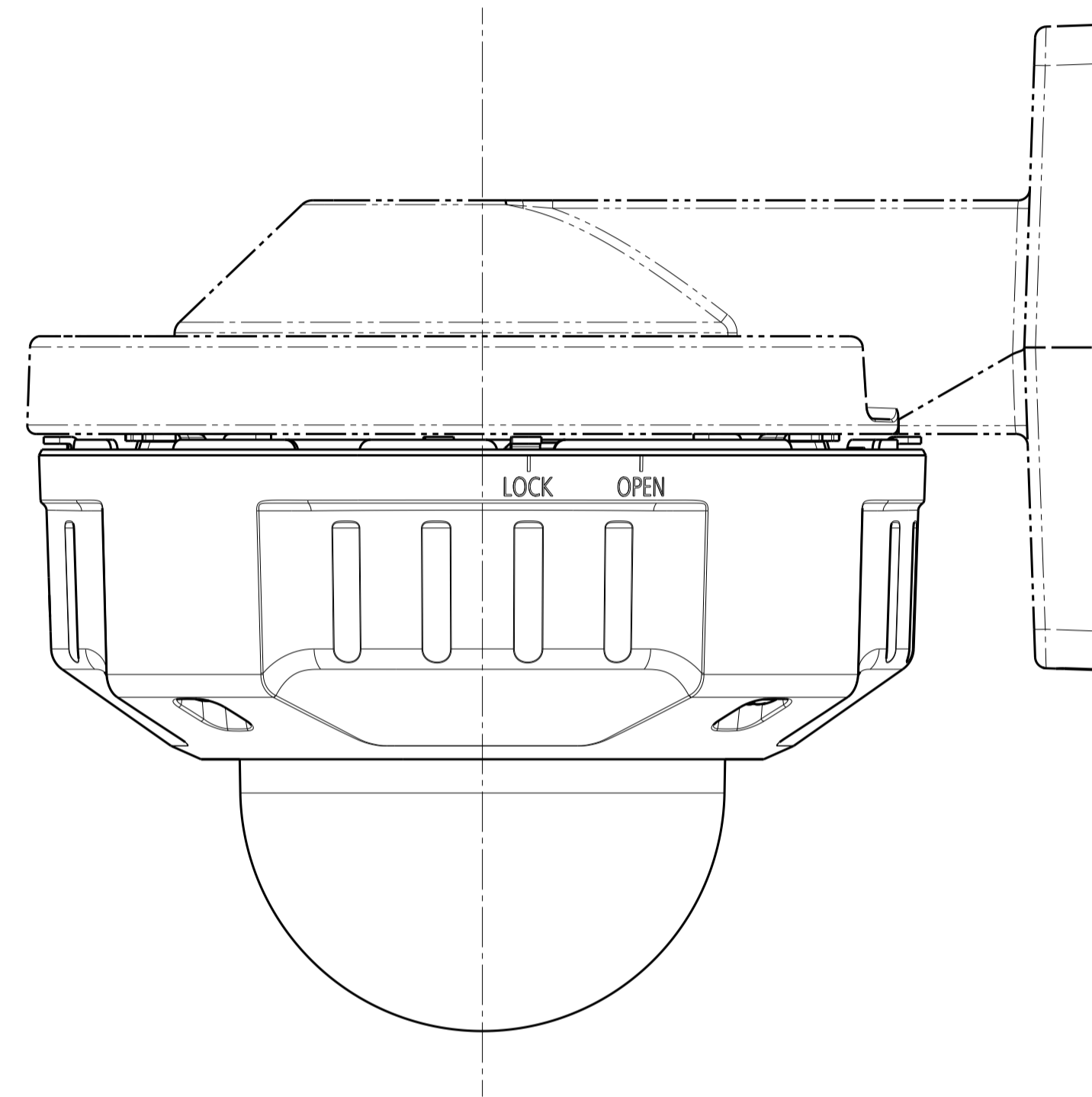


Attach to WV-Q105A

WV-S2572L



Attach to WV-QCL100-W



Attach to WV-QWL500-W

	投影面積/Projected area
側面図/Side-view	0.019(m2)