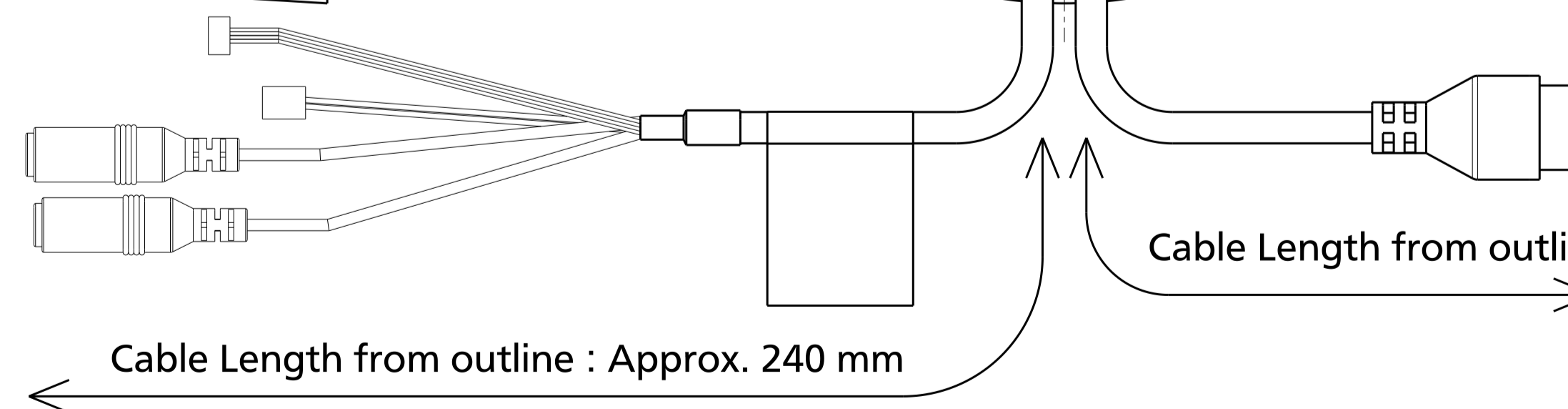


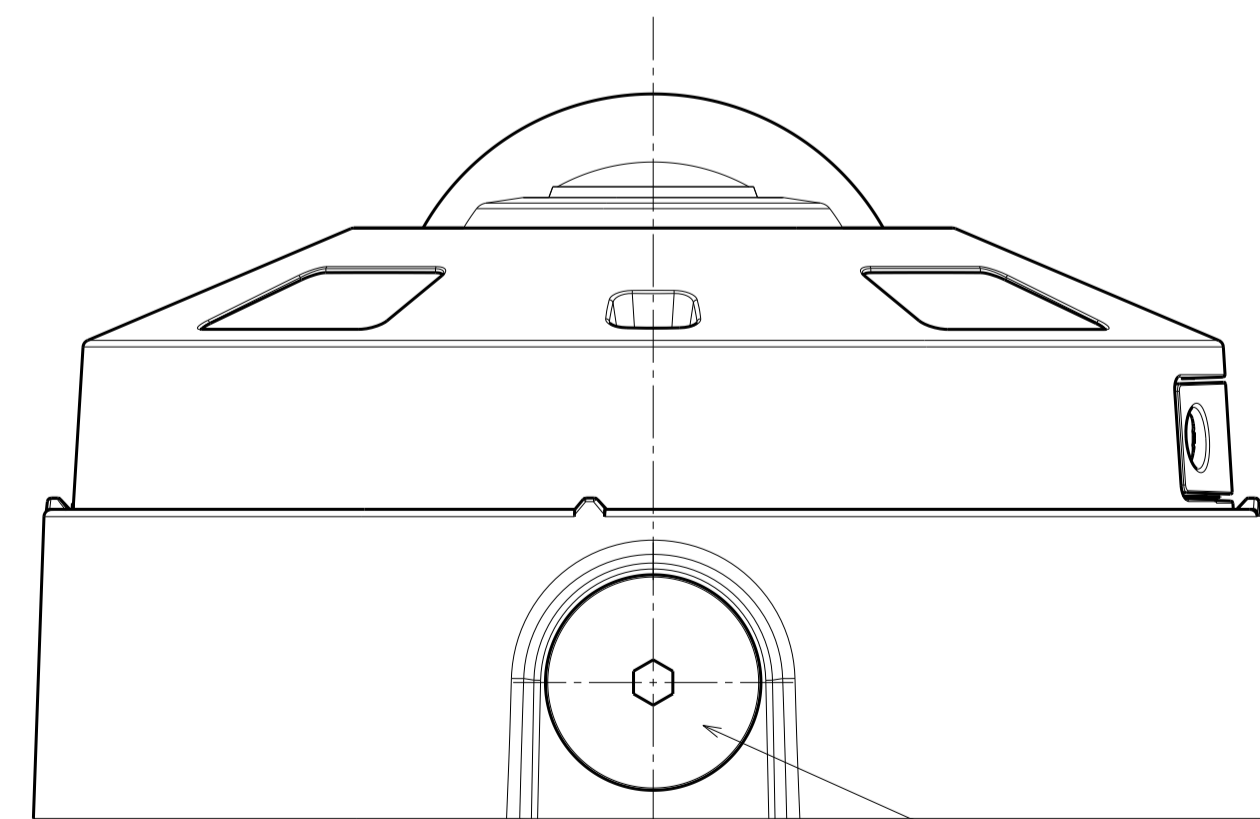
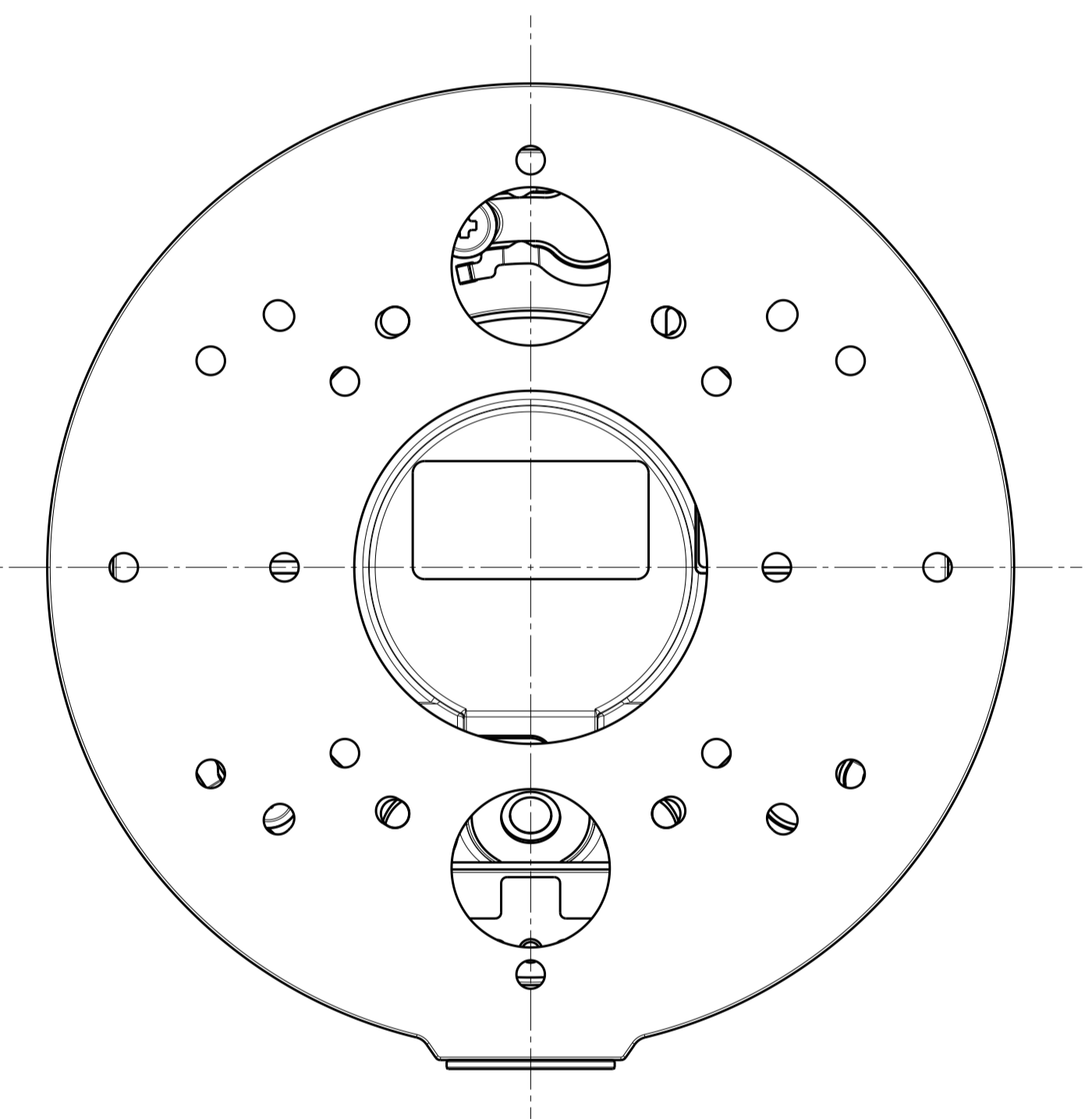
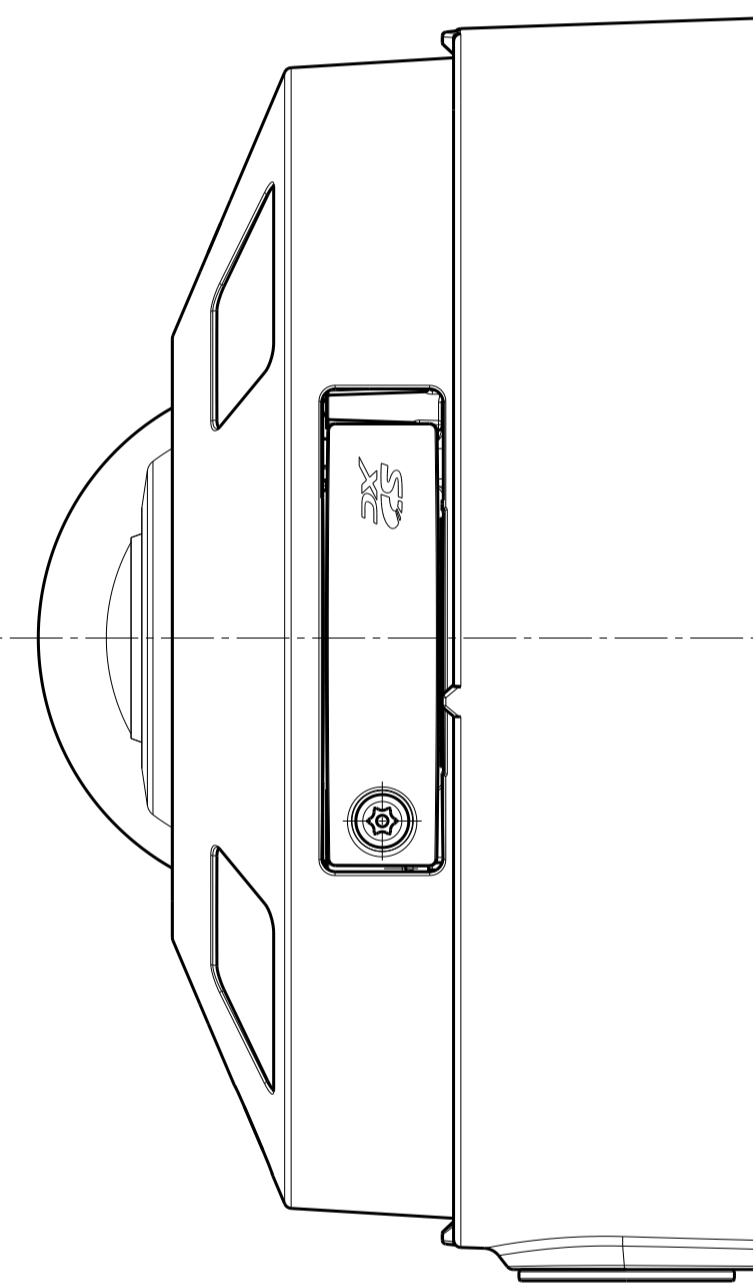
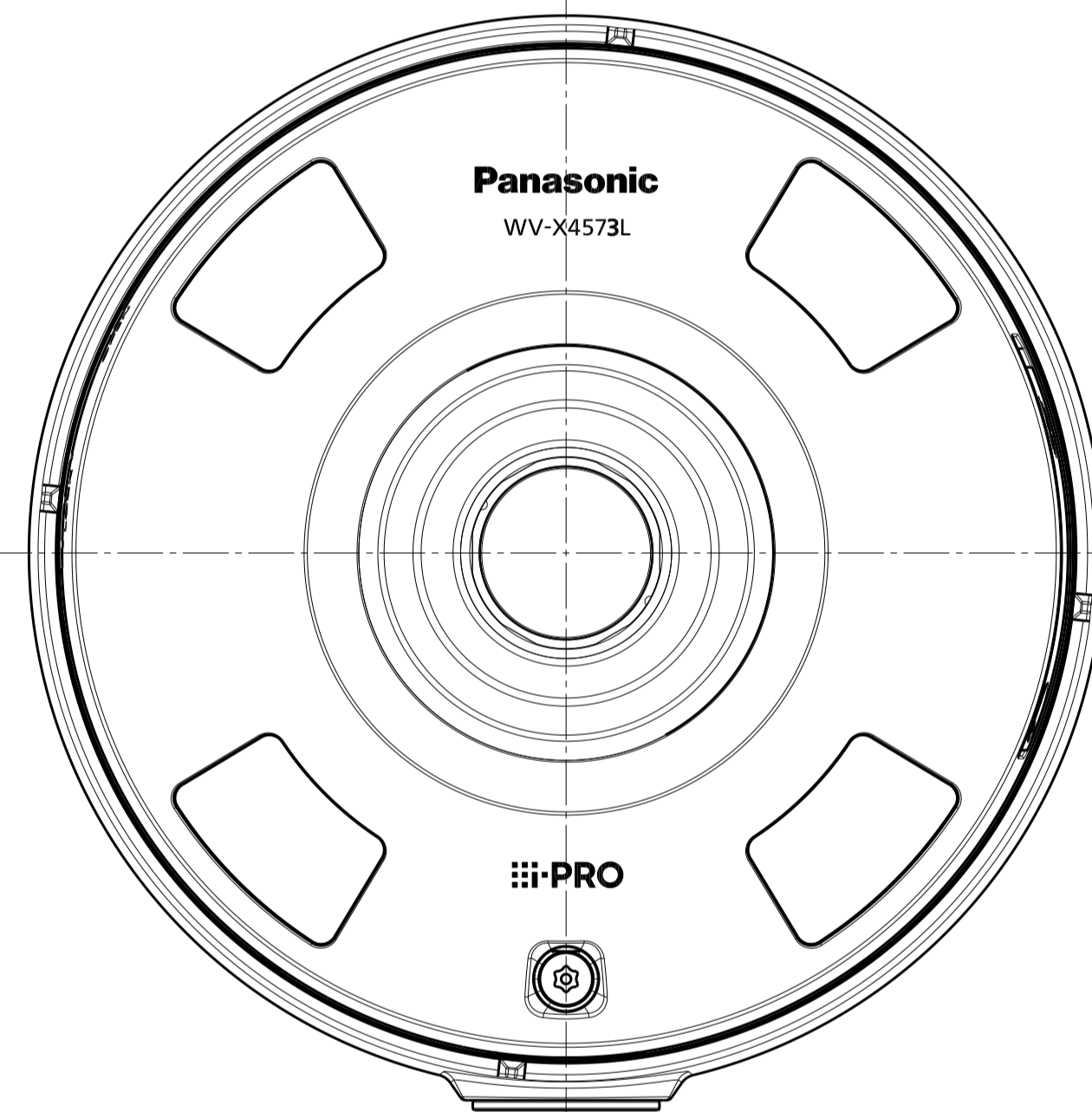
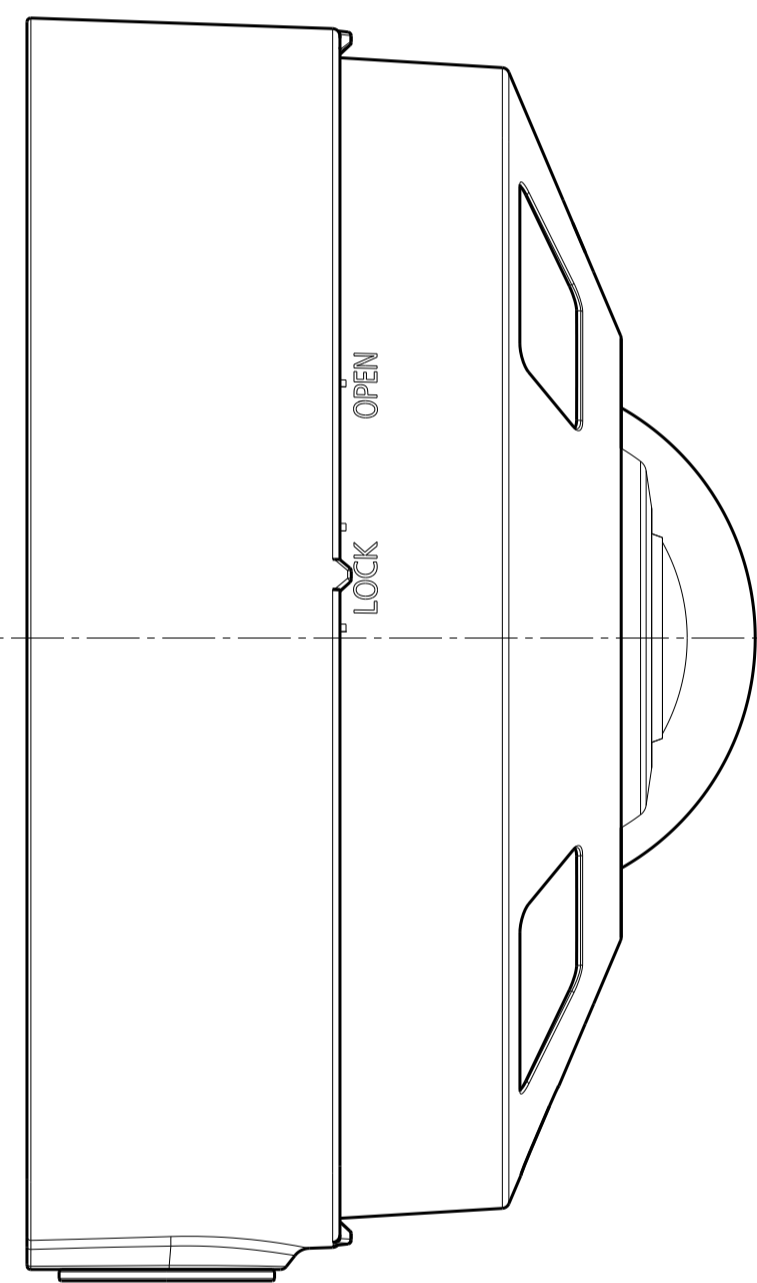
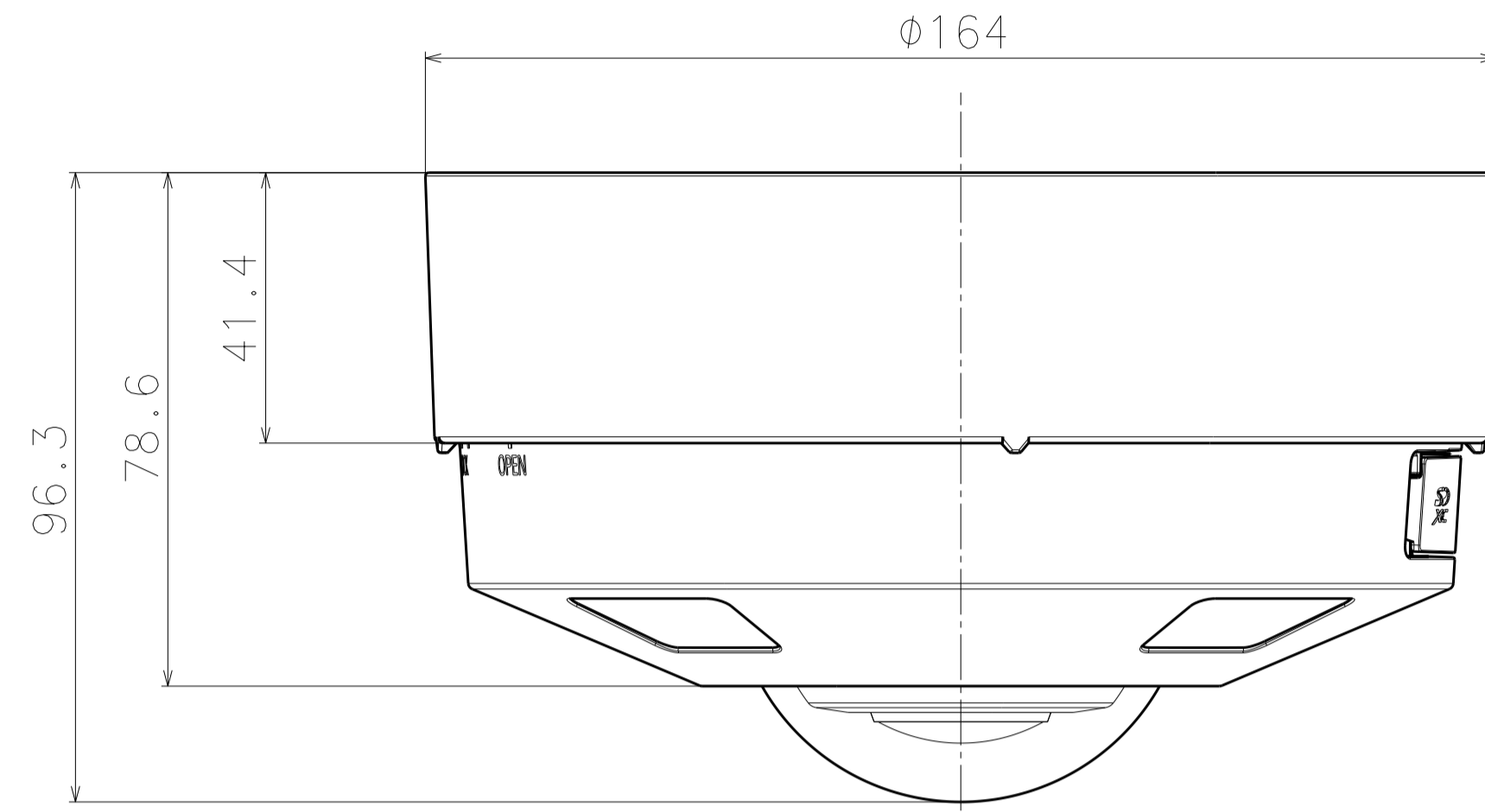
With Attachment Plate



Weight : Approx. 870 g {1.92 lbs} (When using the attachment plate)

	投影面積/Projected area
側面図/Side-view	0.007 (m ²)

WV-X4573L



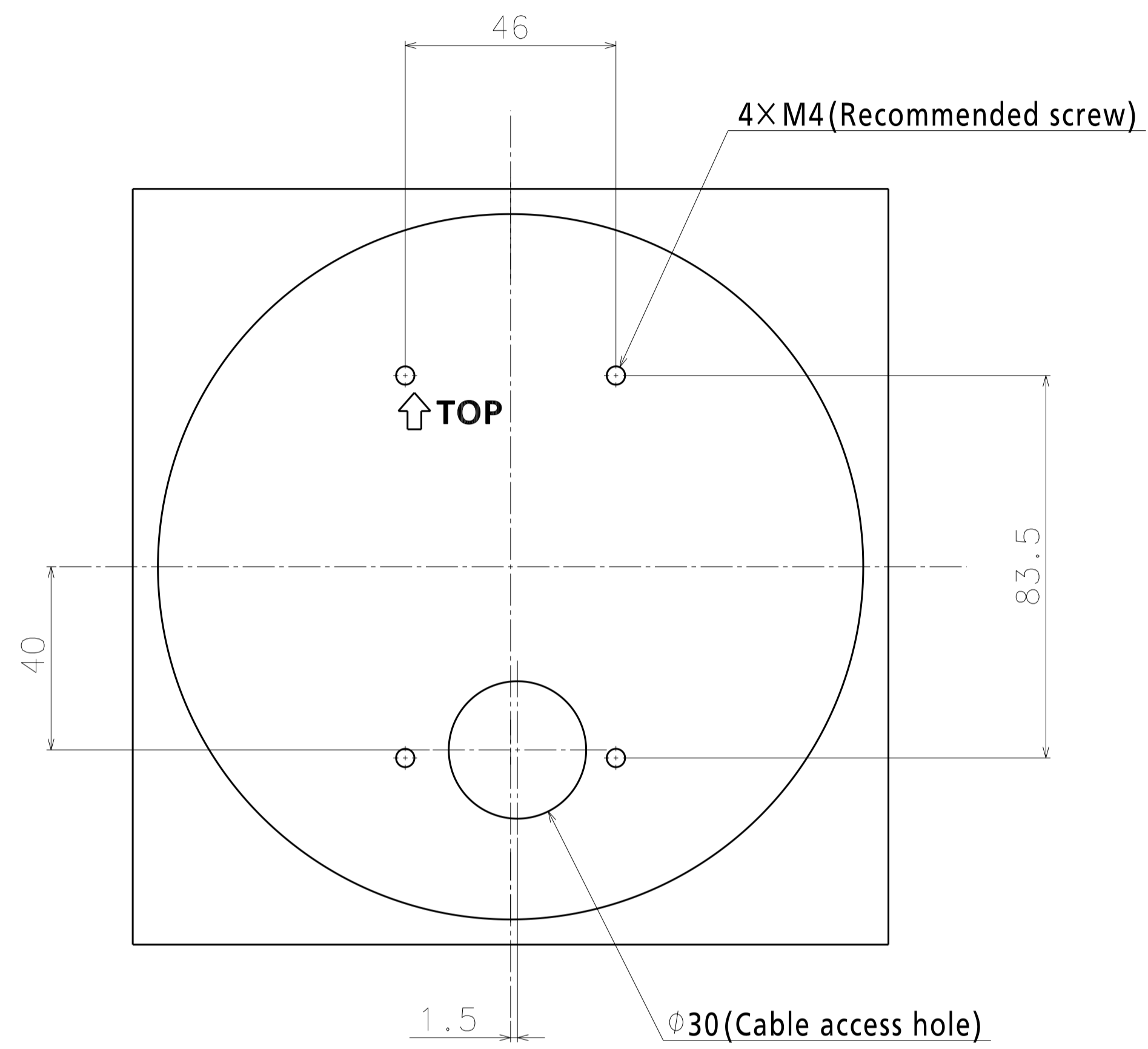
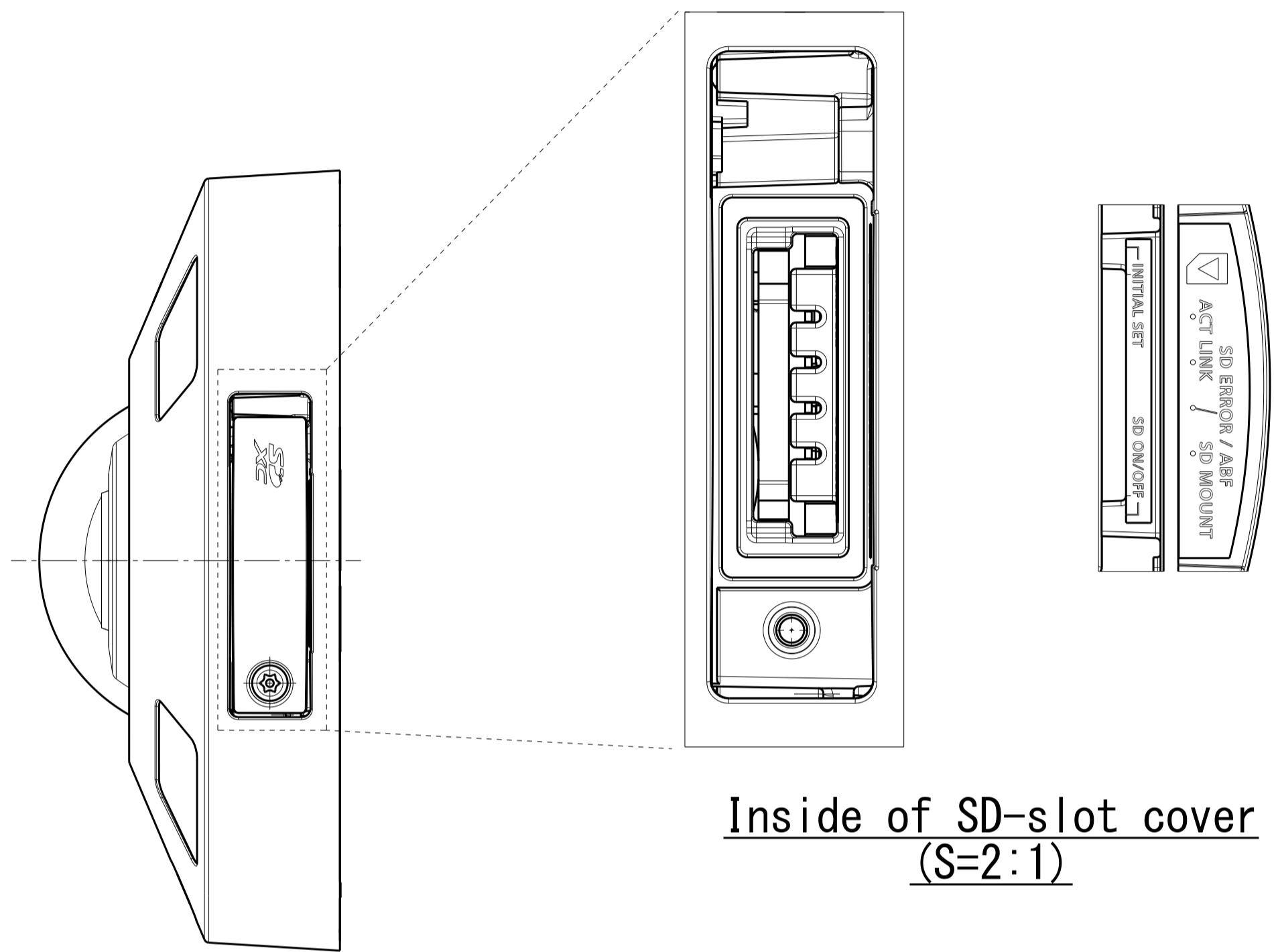
接続管用ねじ
 CTG22 または G3/4
 female thread for conduit
 NPSM3/4 or G3/4

With Base bracket

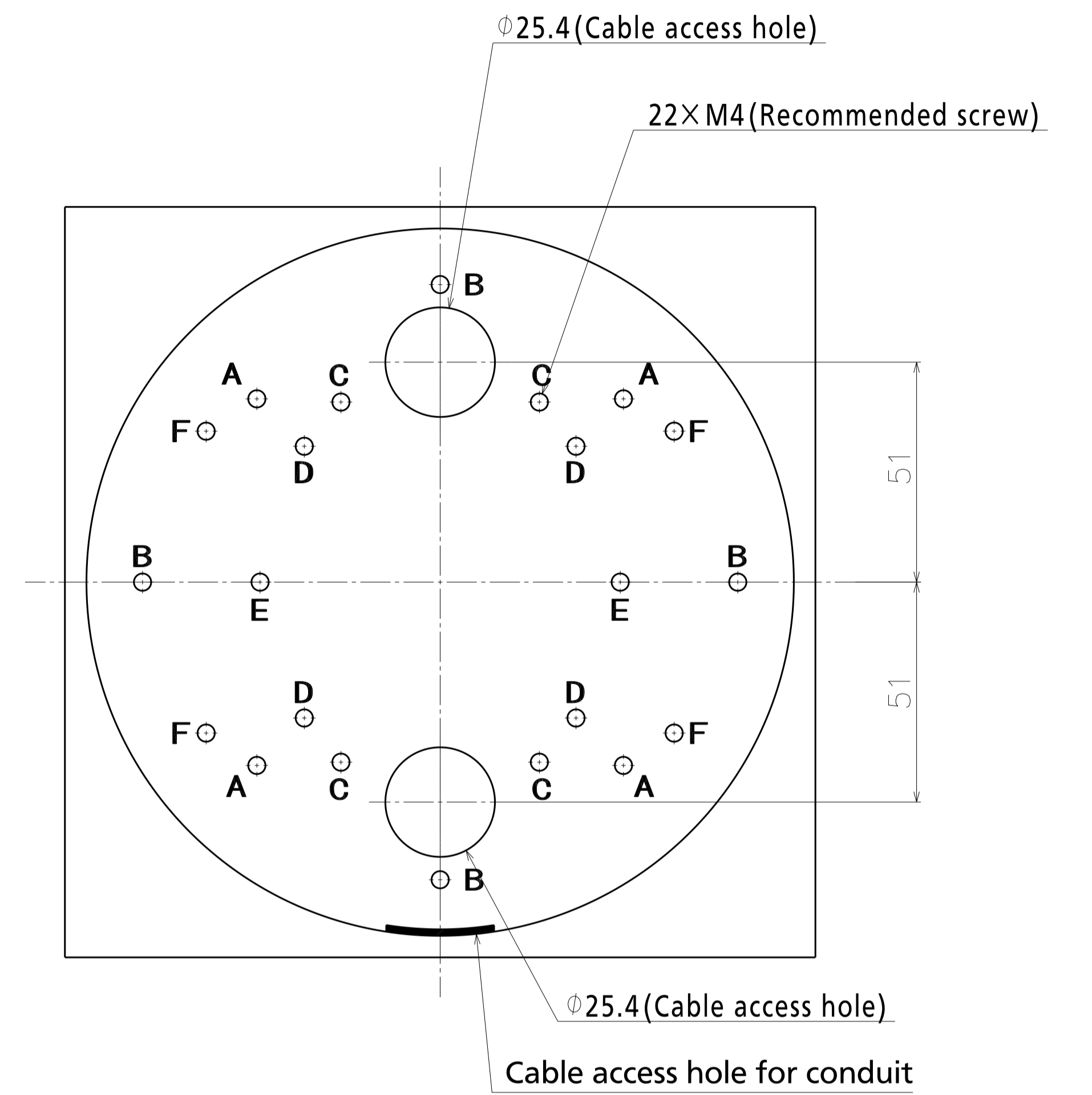
	投影面積/Projected area (With Base Bracket)
側面図/Side-view	0.013(m ²)

Weight : Approx. 1.3 kg {2.87 lbs} (When using the mounting base bracket)

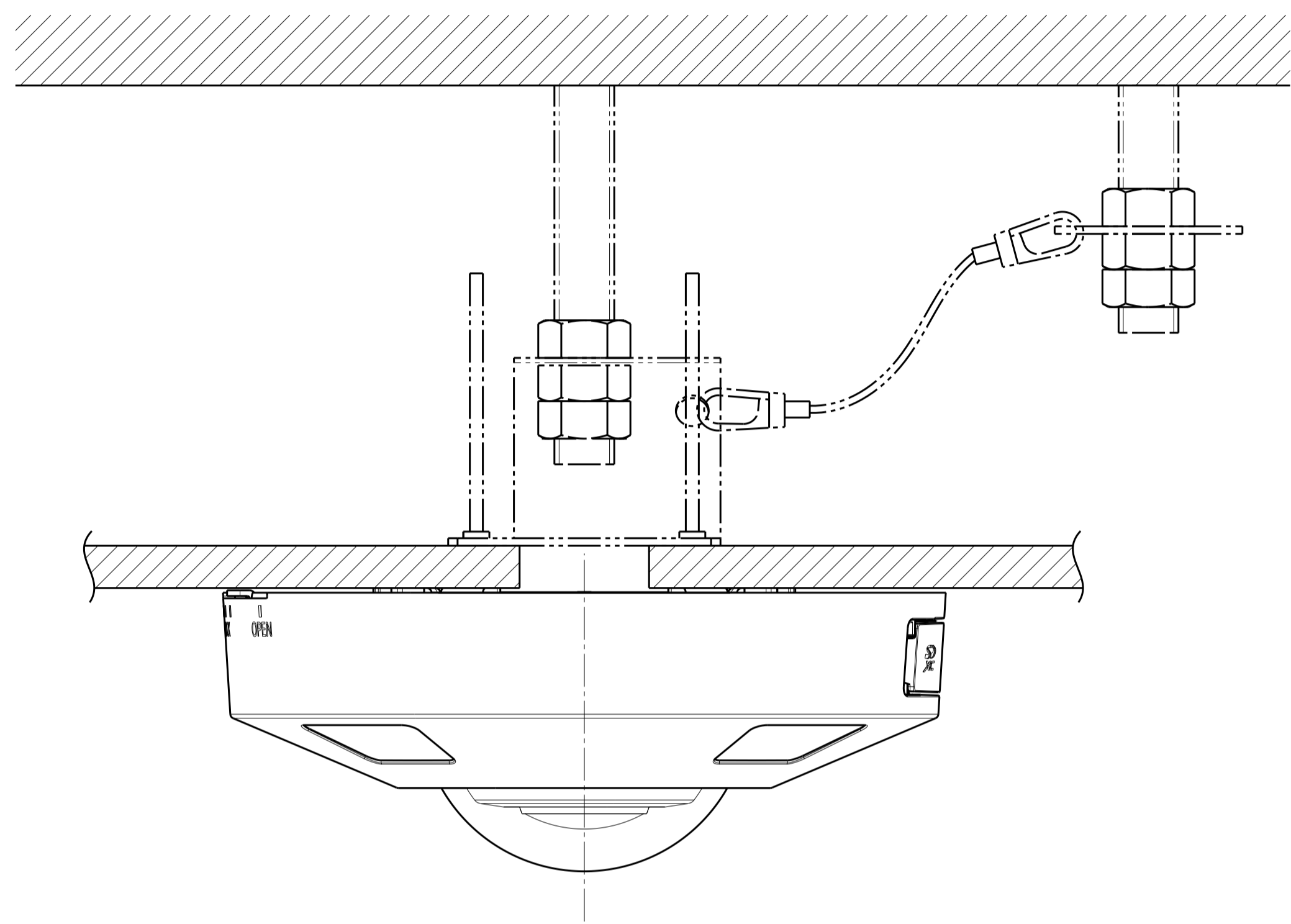
WV-X4573L



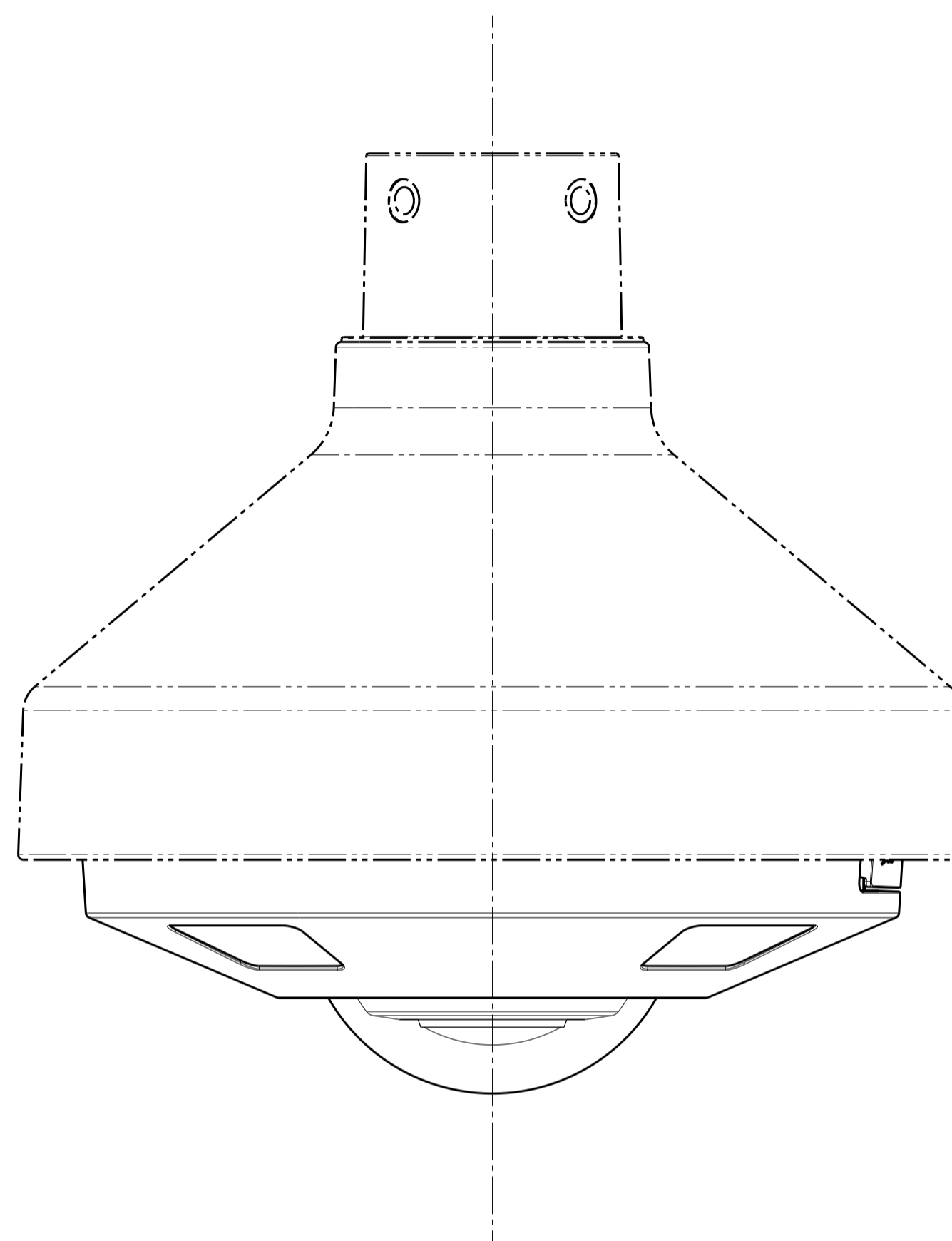
Template for mounting



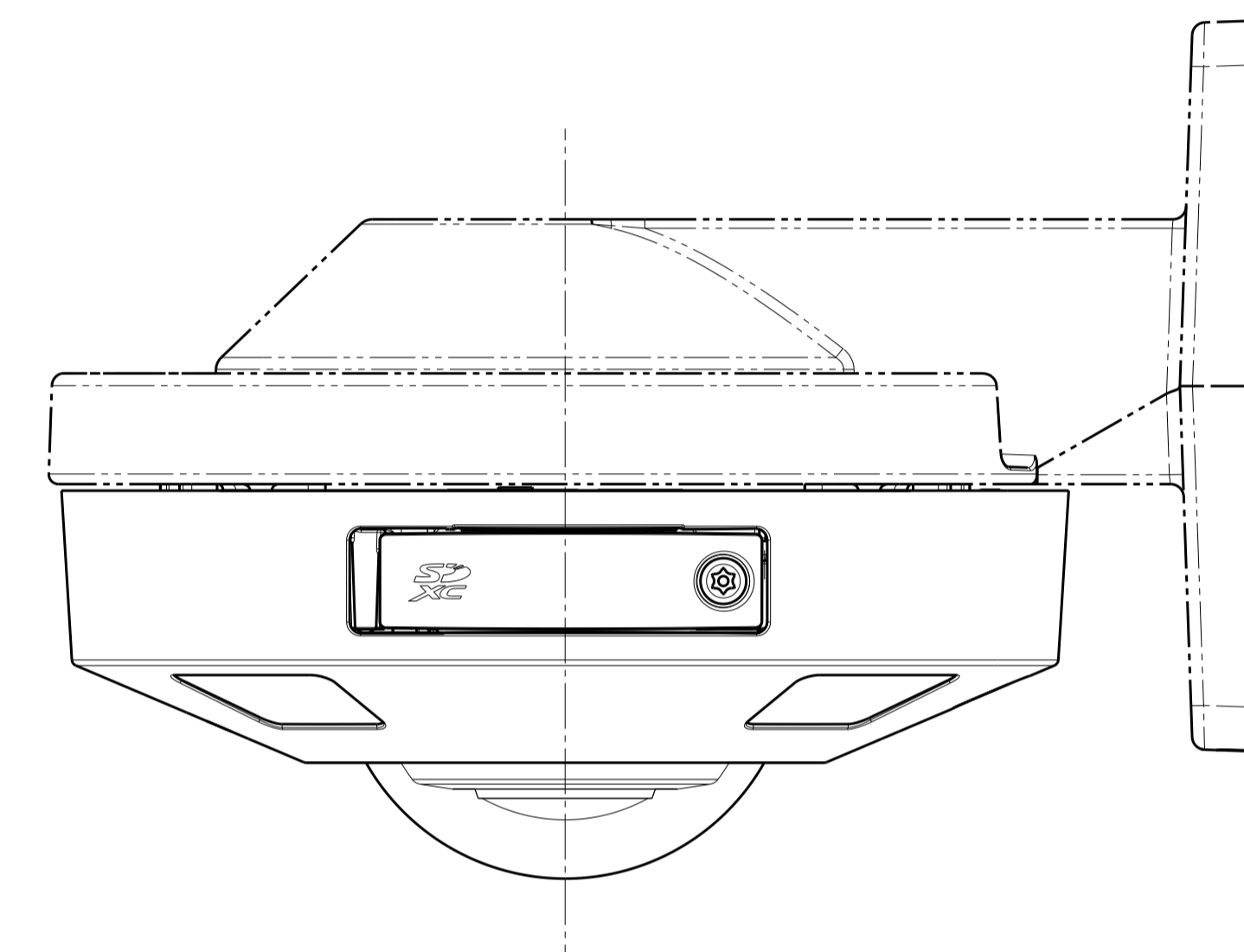
Mounting hole layout



Attach to WV-Q105A



Attach to WV-QSR501-W



Attach to WV-QWL500-W