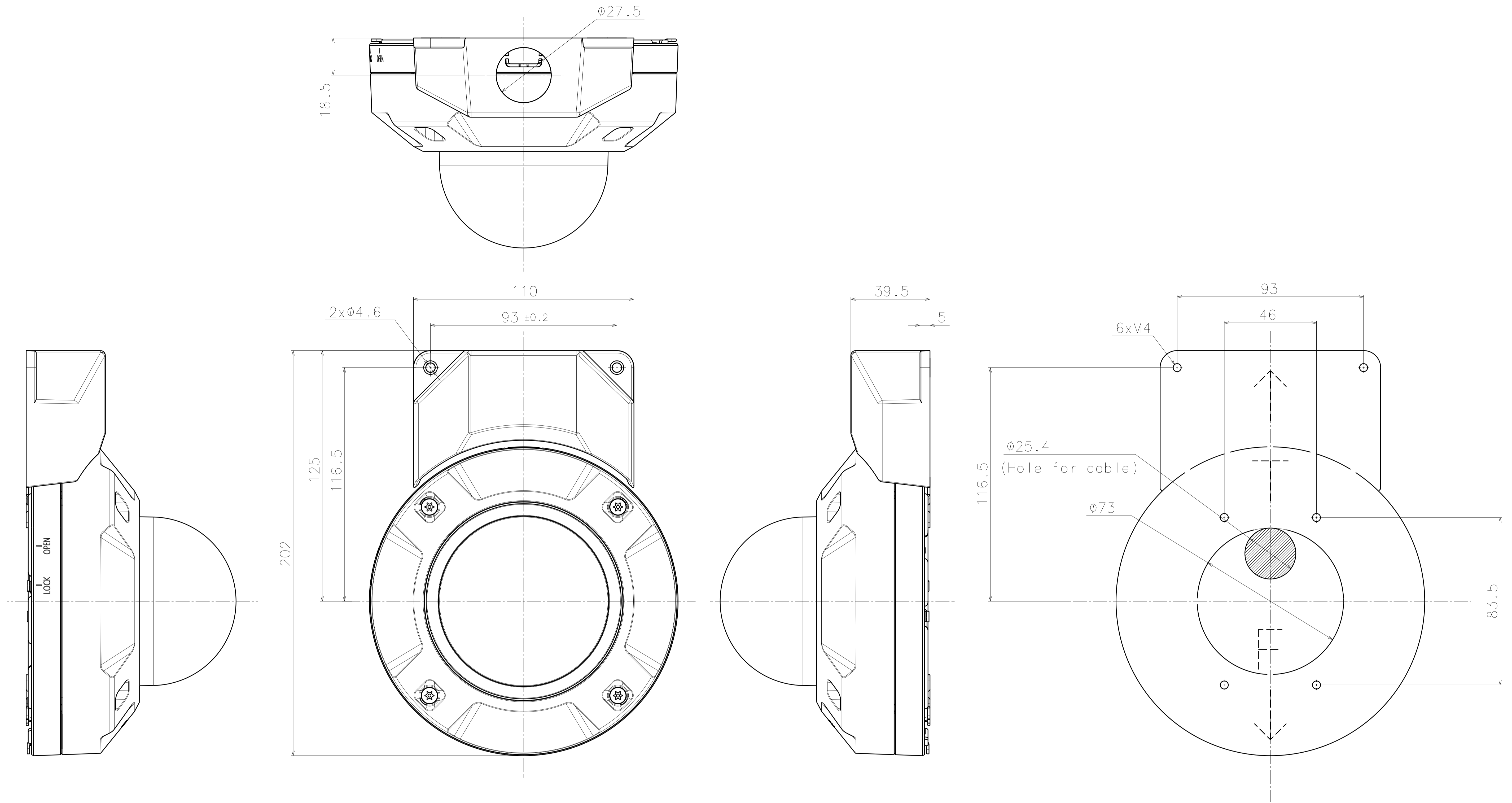


With Attachment plate

Model number	ClearSight coating
WV-S2536LTN	Yes
WV-S2536LTNV	Yes
WV-S2536LT	No

	投影面積/Projected area
側面図/Side-view	0.011 (m ²)

Mass : Approx. 1.1 kg {2.43 lbs} (Excluding attachment for the conduit portion)



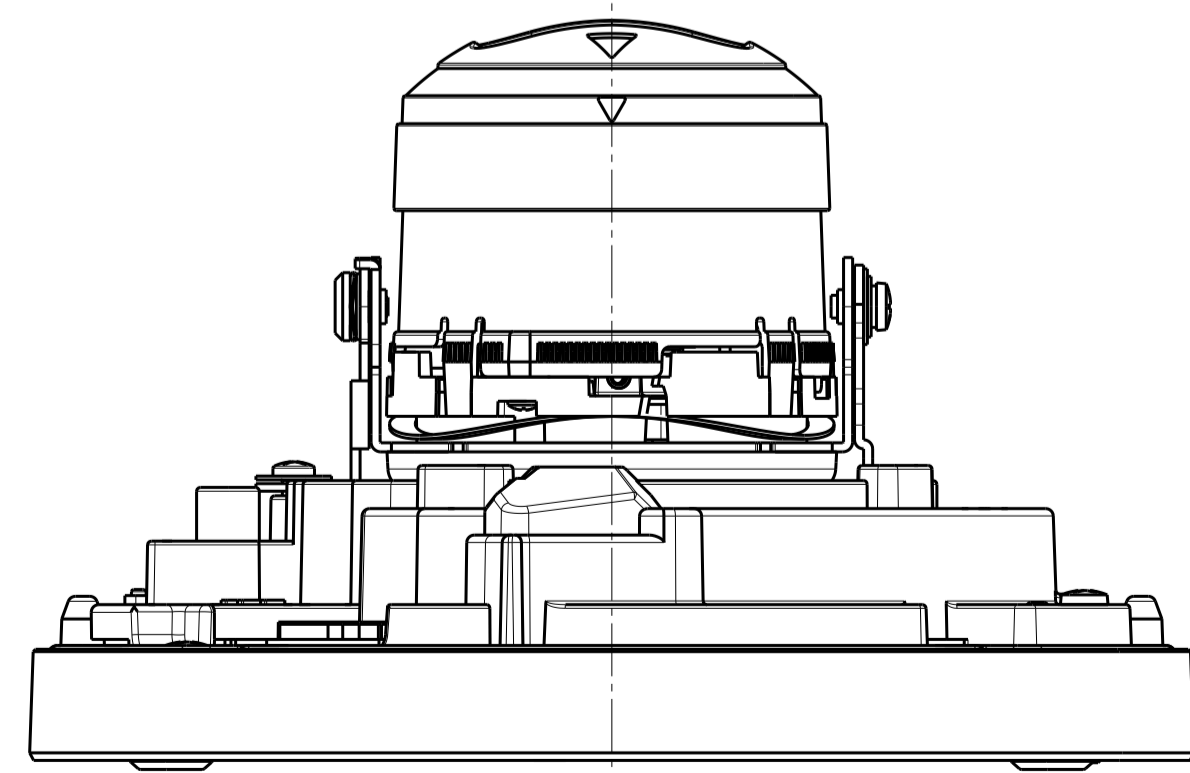
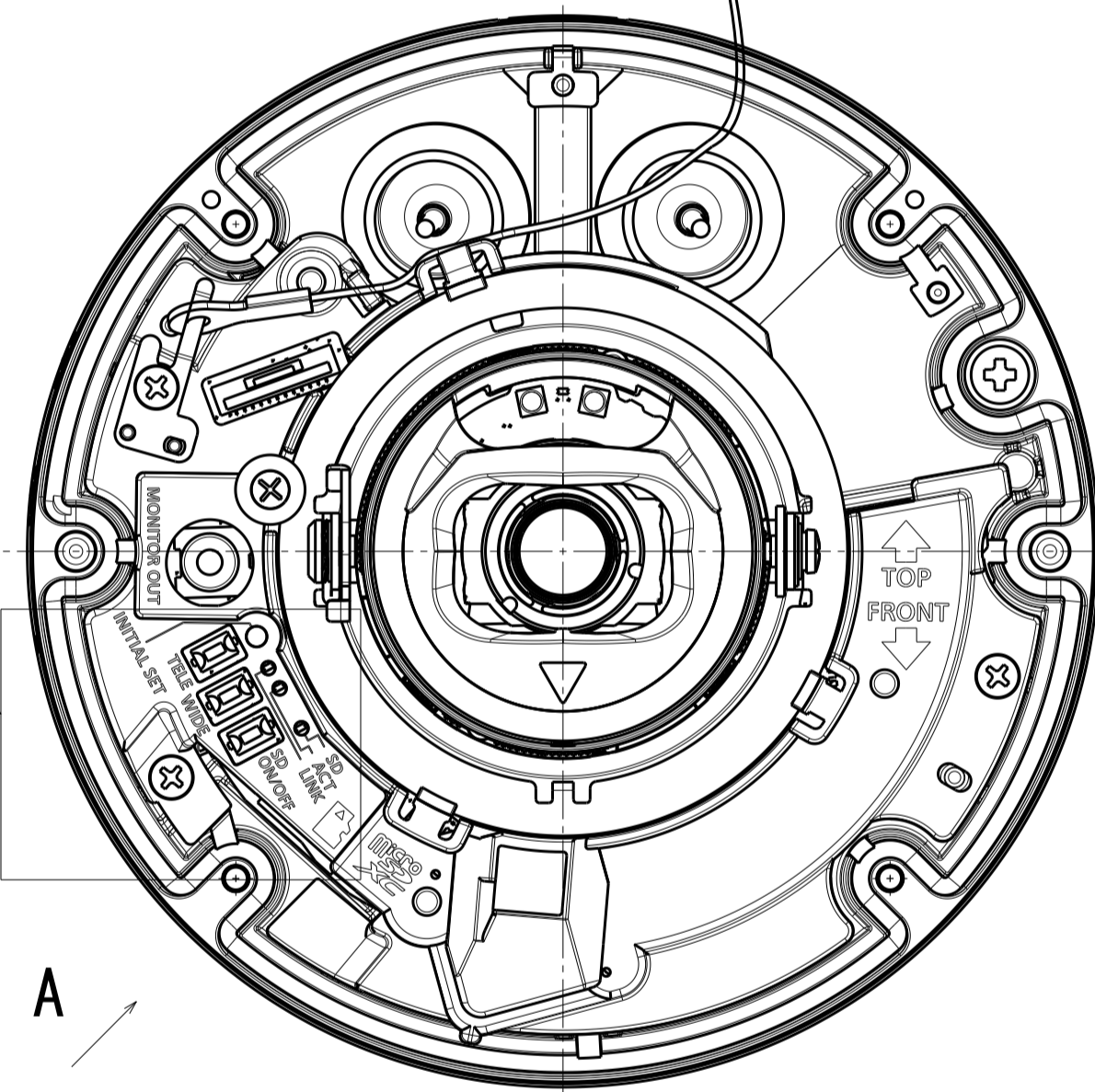
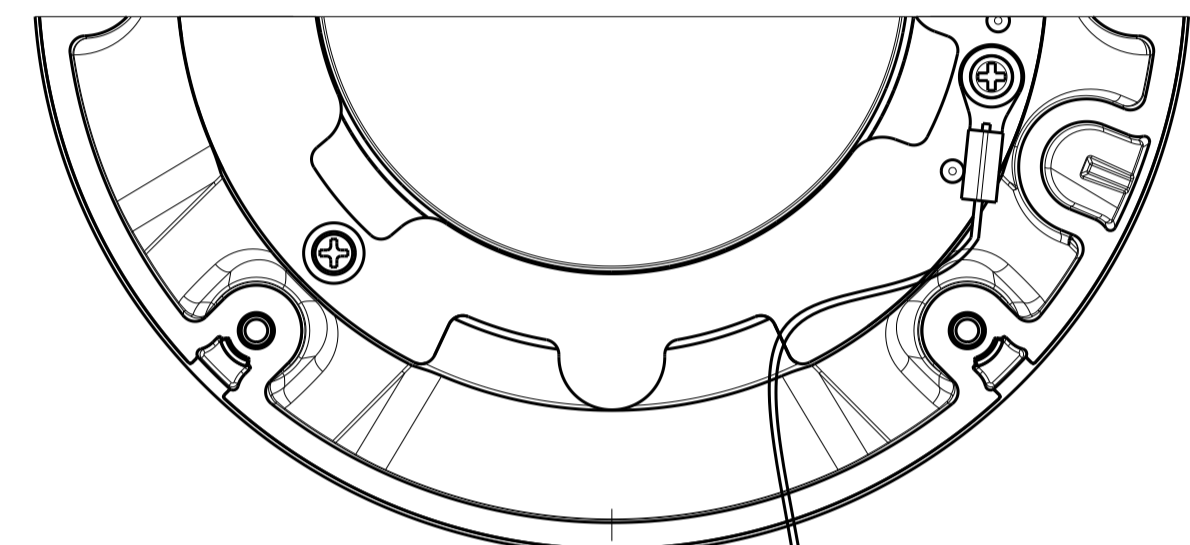
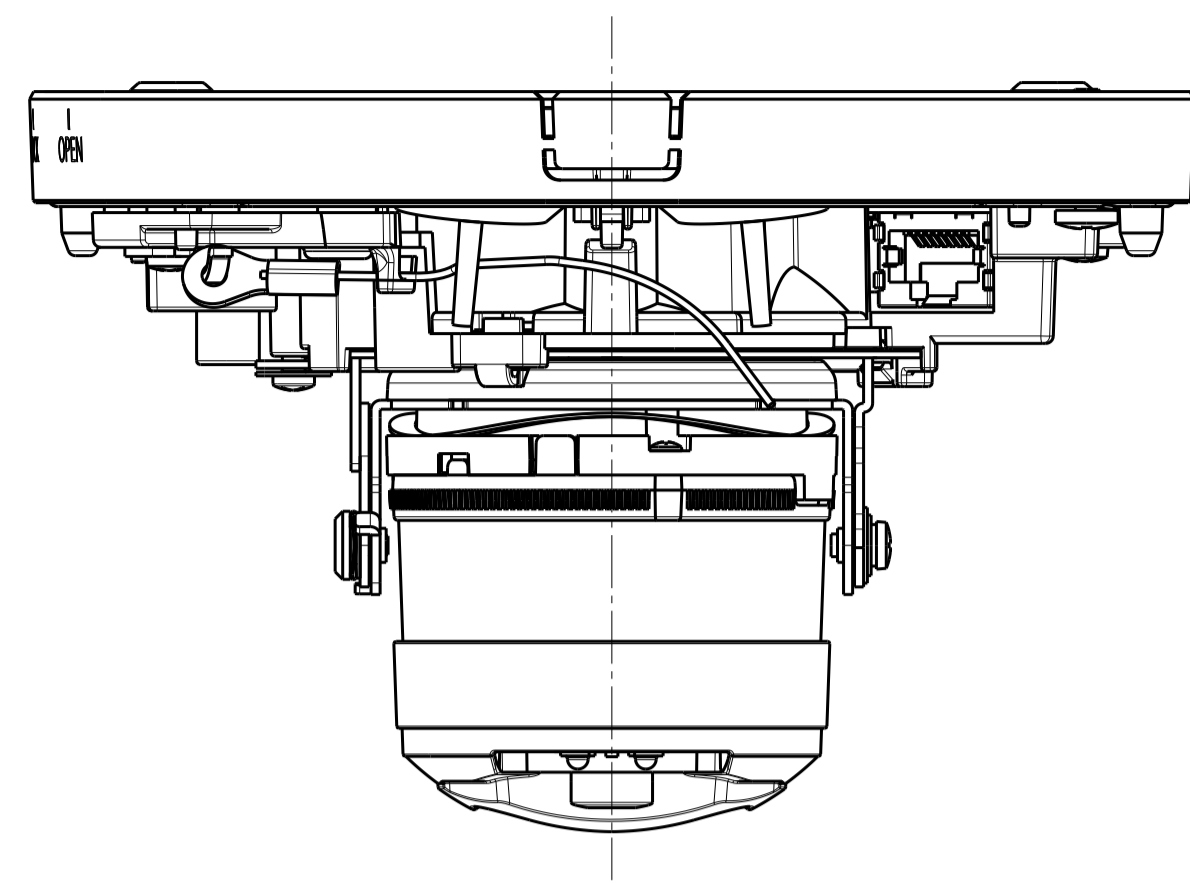
With Attachment for the conduit

Template for mounting

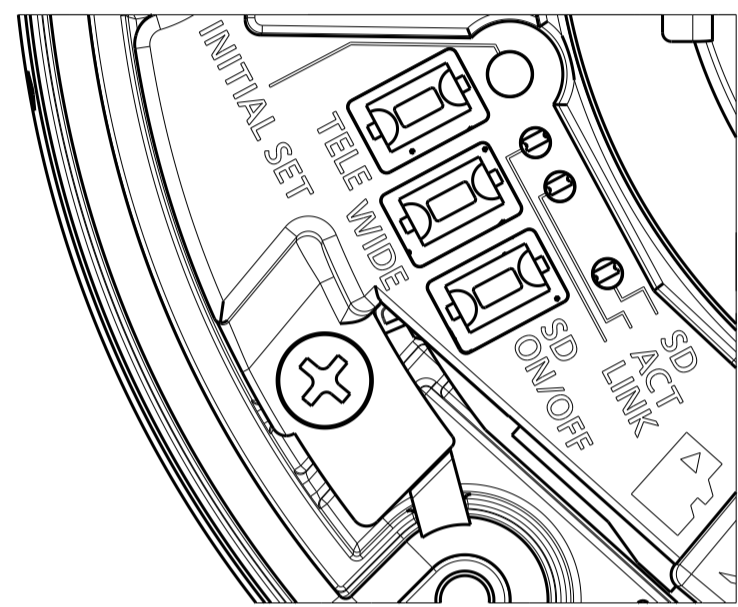
Model number
WV-S2536LTN
WV-S2536LTNV
WV-S2536LT

	投影面積/Projected area
側面図/Side-view	0.013 (m ²)

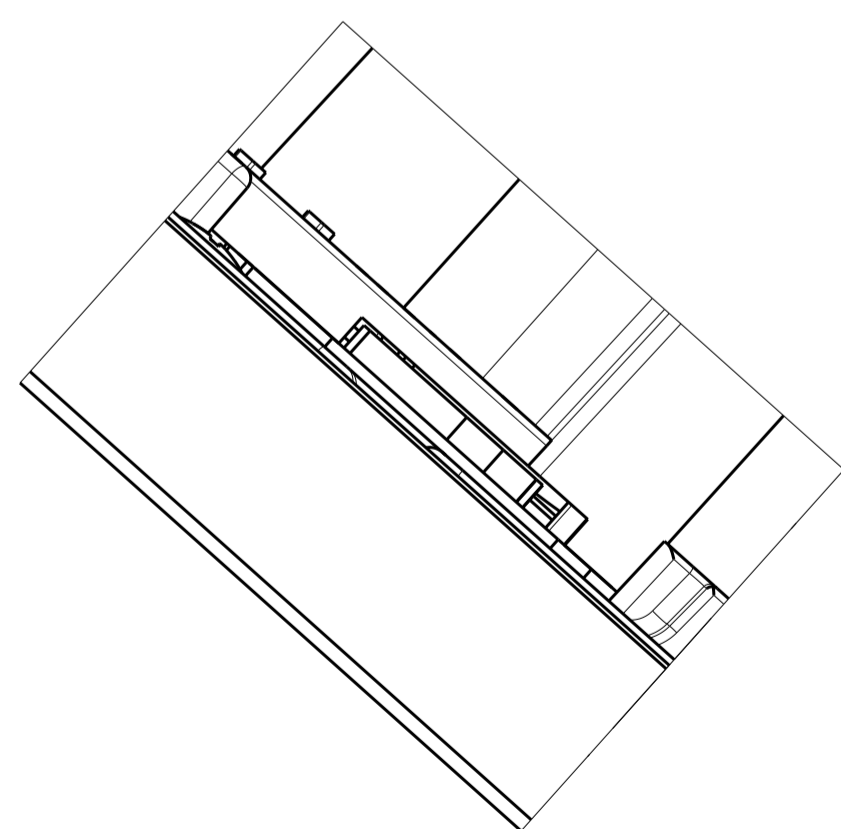
Mass : Approx. 1.15 kg {2.54 lbs} (With Attachment for the conduit)



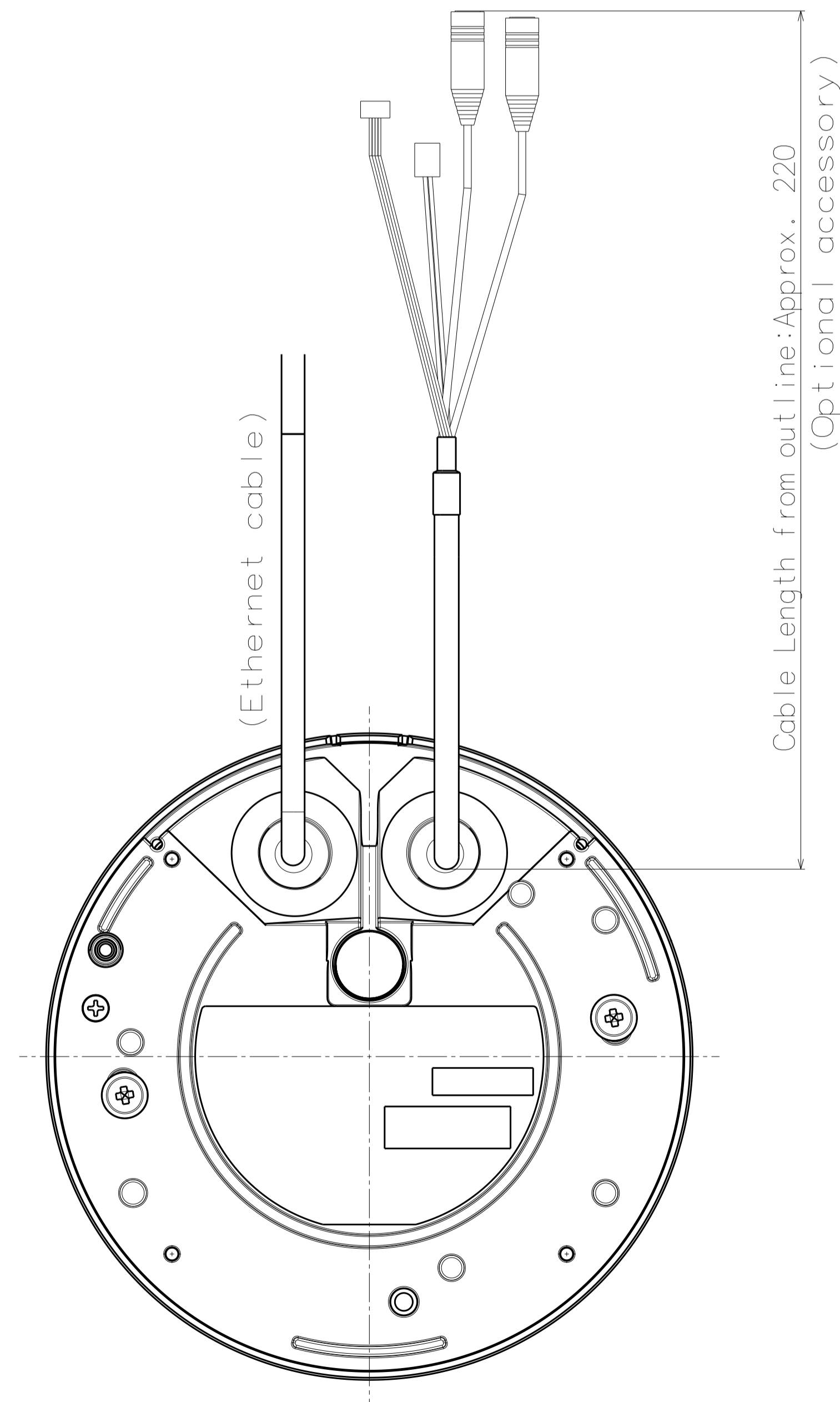
Without Enclosure



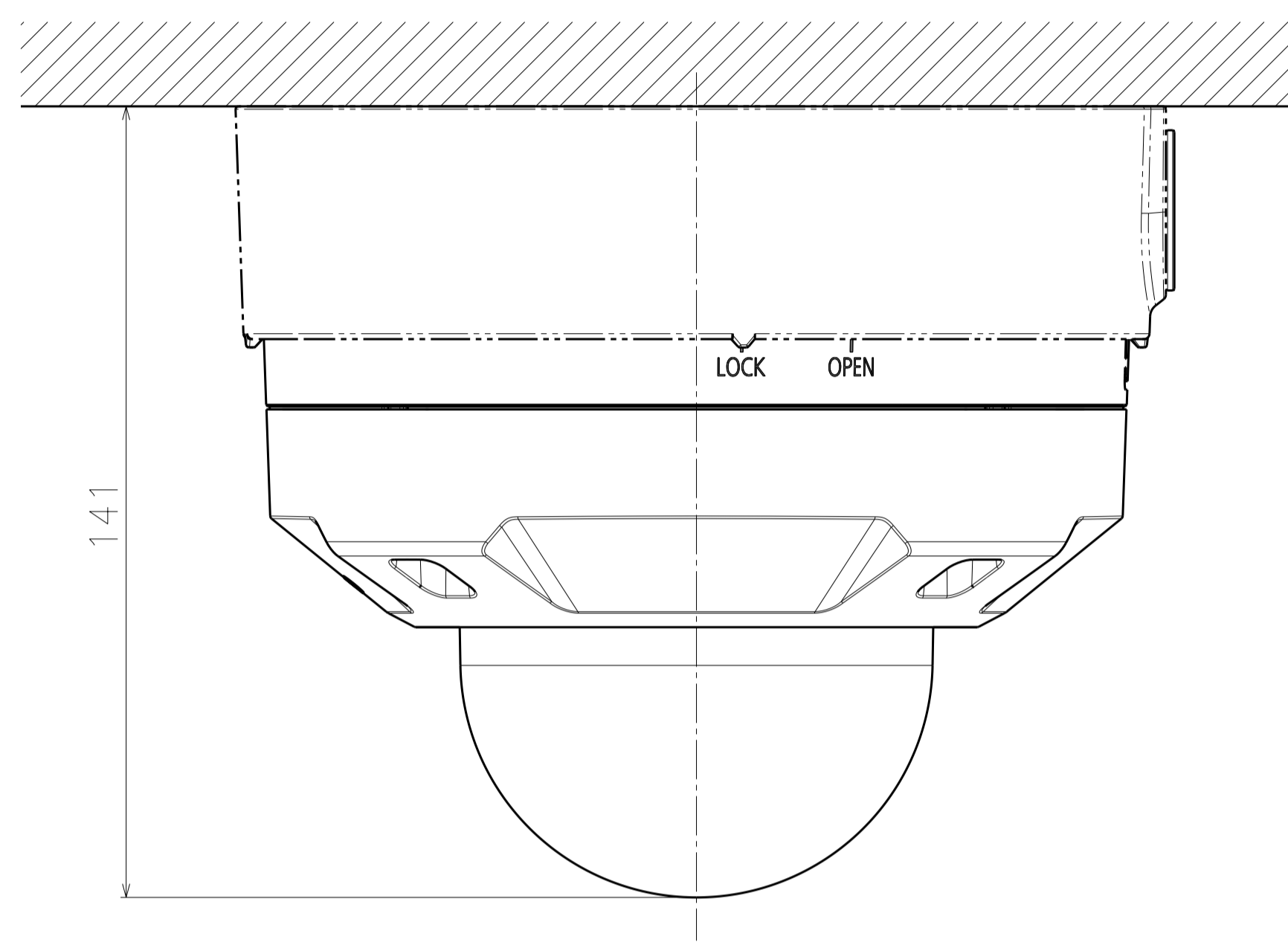
Detail B (2:1)



View A (2:1)

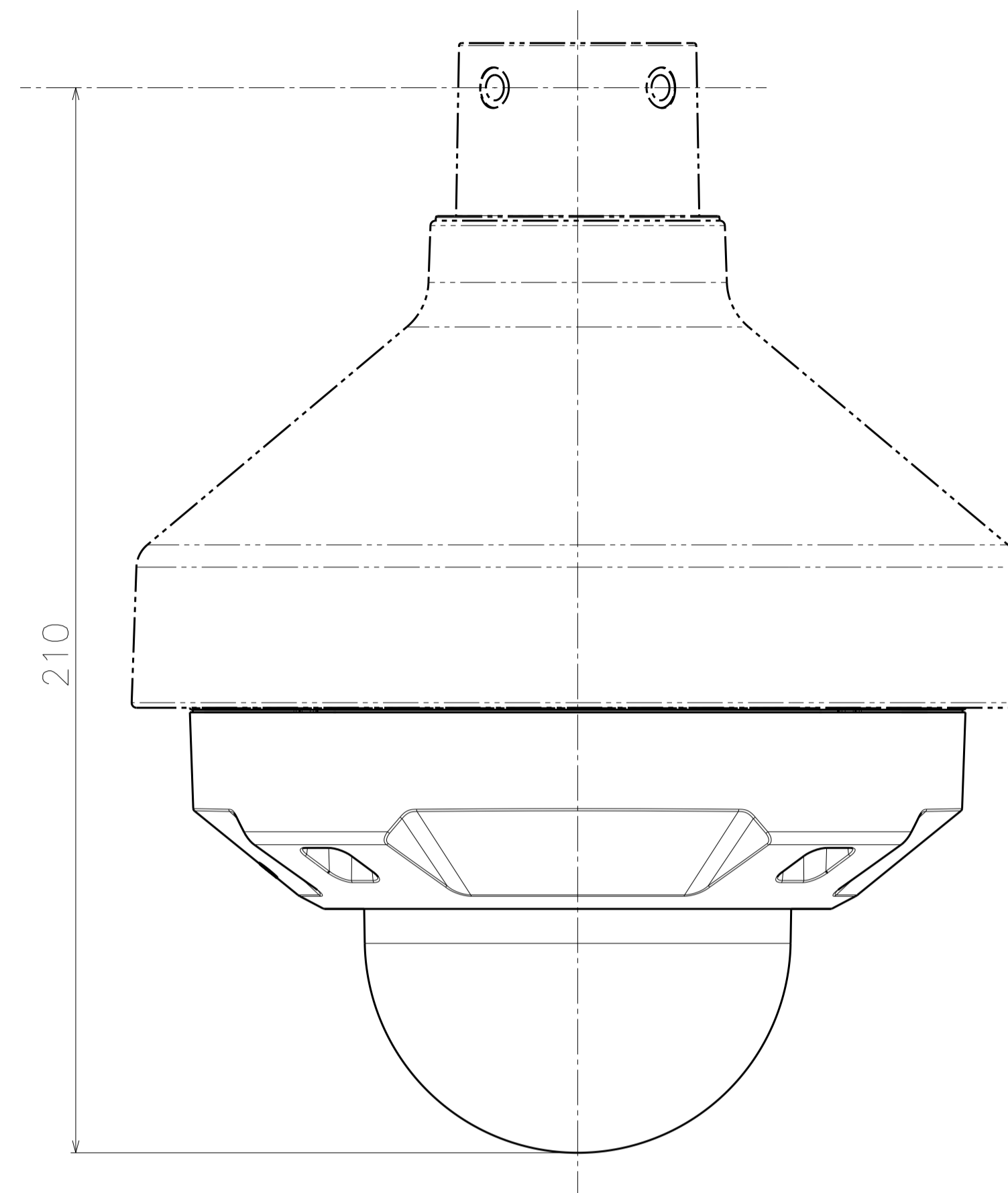


Model number
WV-S2536LTN
WV-S2536LTNV
WV-S2536LT



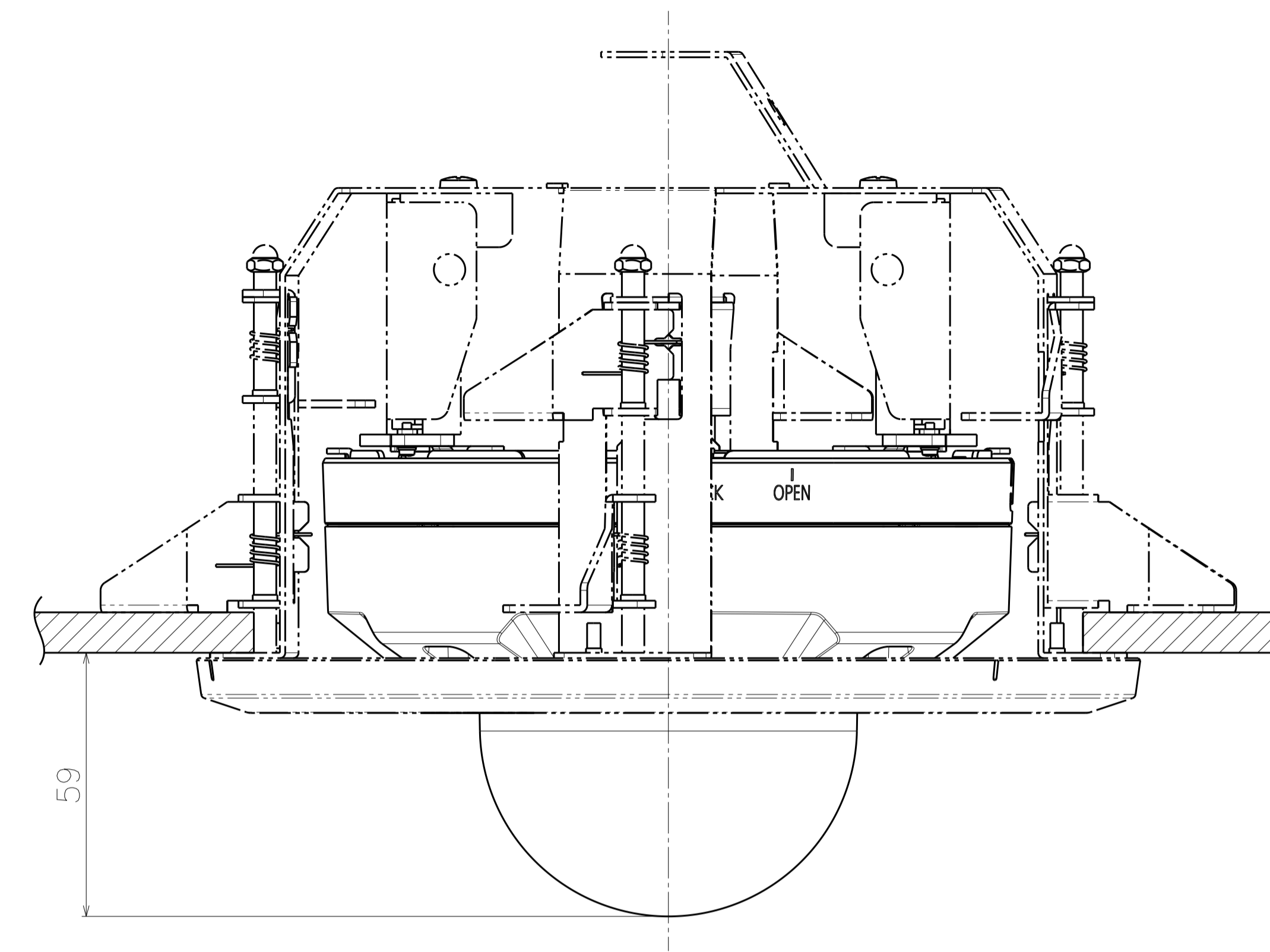
Attach to WV-QJB501-W

側面図/Side-view	投影面積/Projected area 0.017 (m ²)
---------------	--

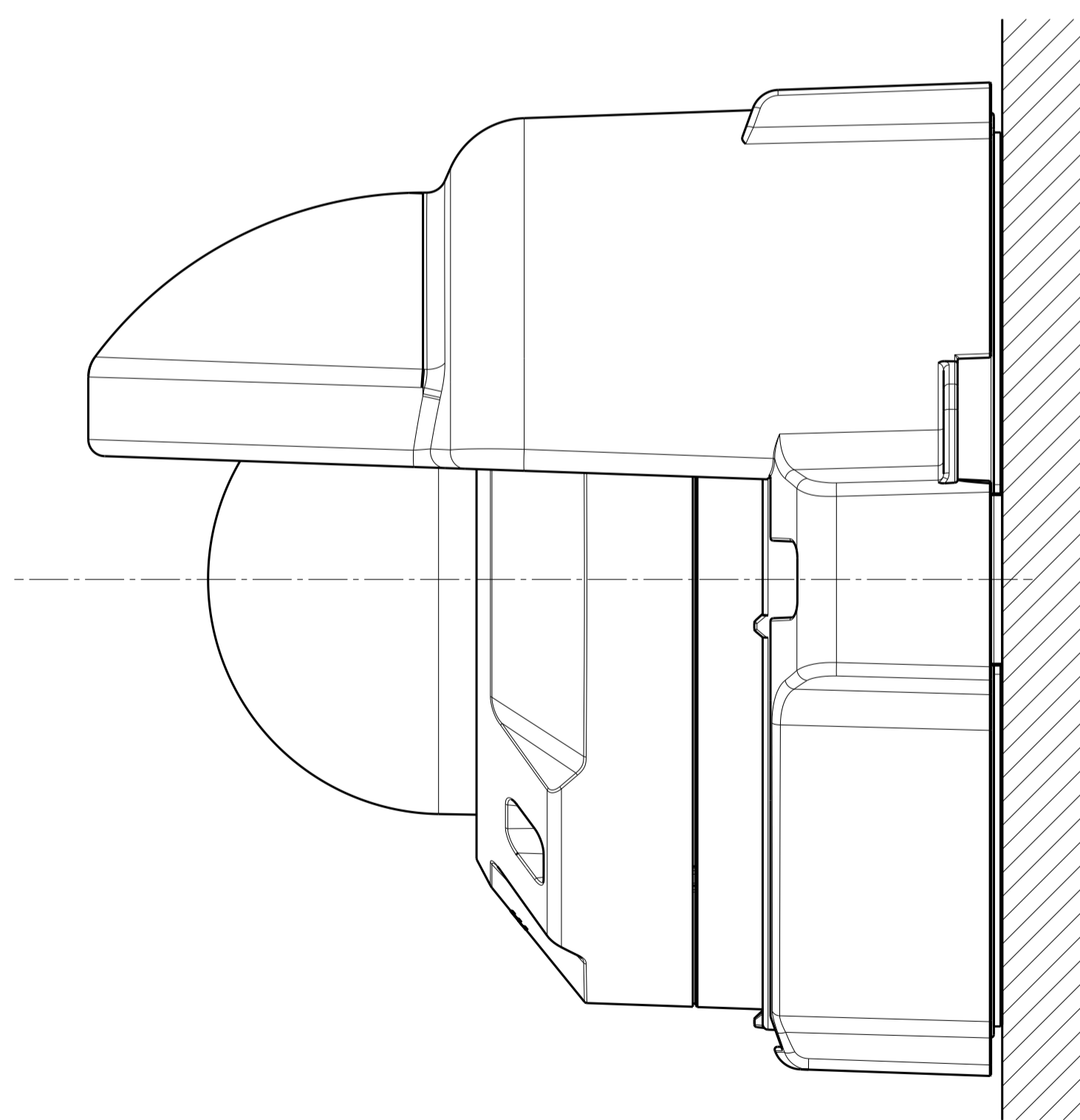


Attach to WV-QSR501-W

側面図/Side-view	投影面積/Projected area 0.021 (m ²)
---------------	--

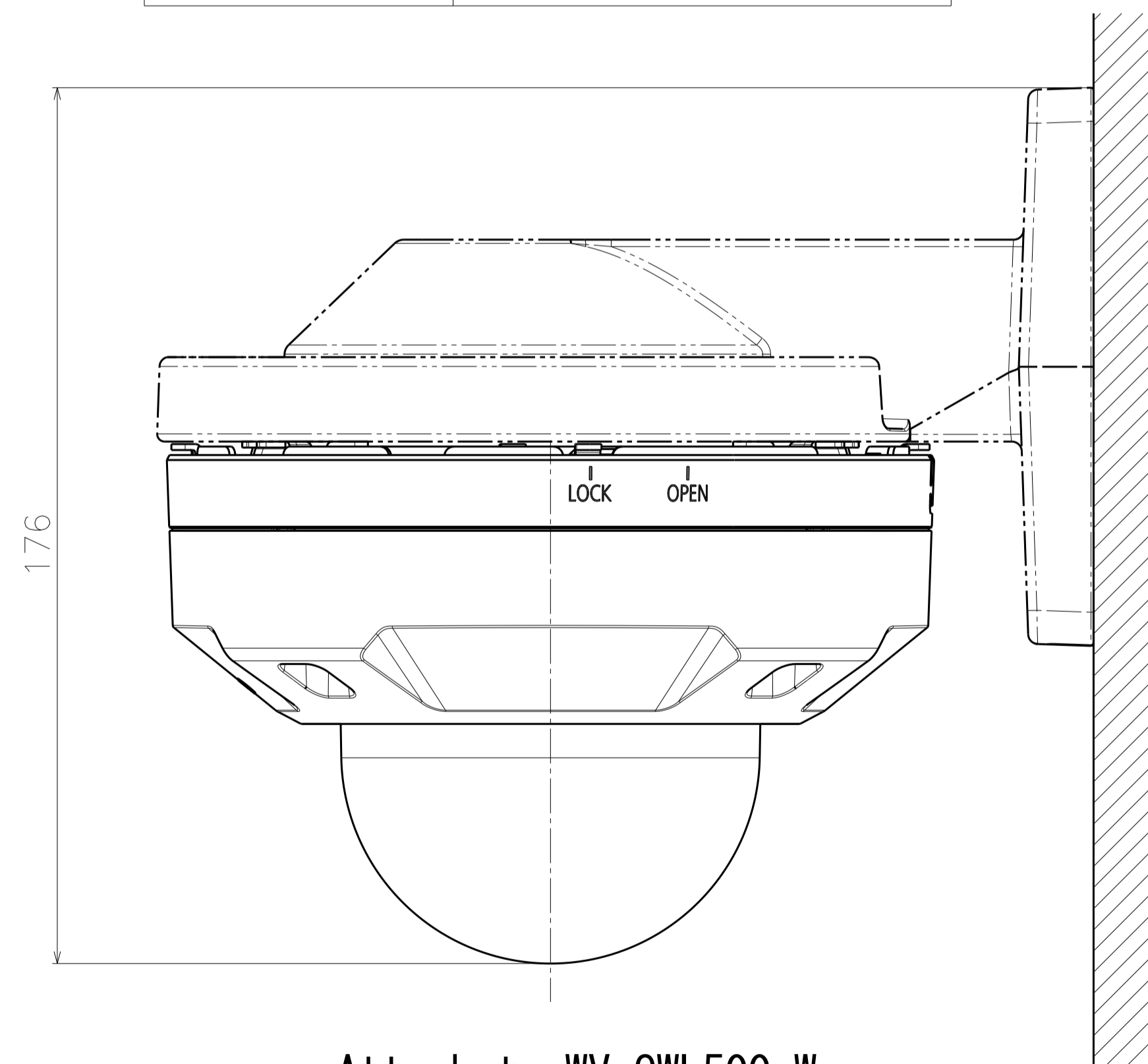


Attach to WV-QEM500-W



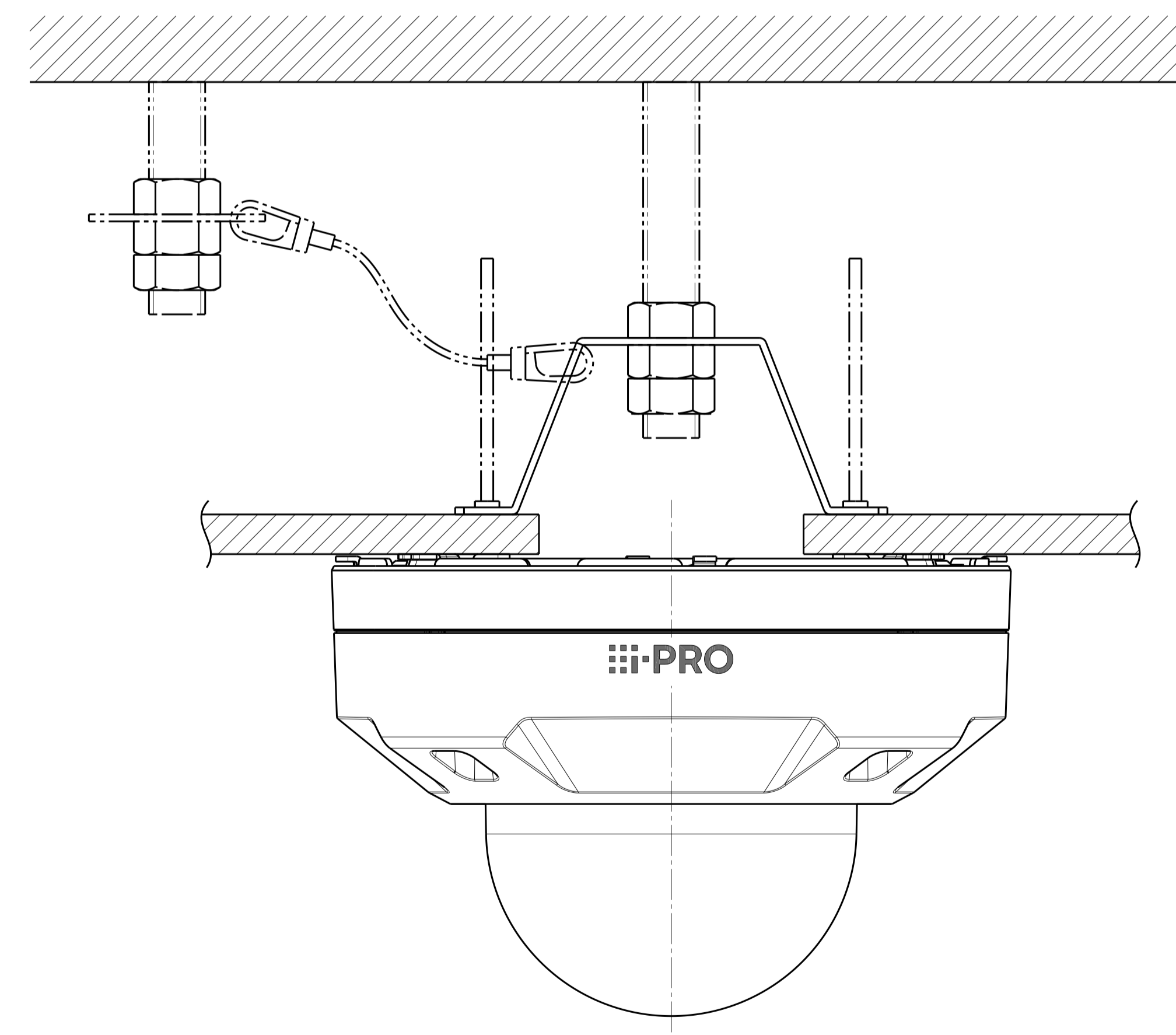
Attach to WV-QJB501-W & WV-QSR500-W

側面図/Side-view	投影面積/Projected area 0.021 (m ²)
---------------	--



Attach to WV-QWL500-W

側面図/Side-view	投影面積/Projected area 0.019 (m ²)
---------------	--



Attach to WV-Q105A

Model number
WV-S2536LTN
WV-S2536LTNV
WV-S2536LT