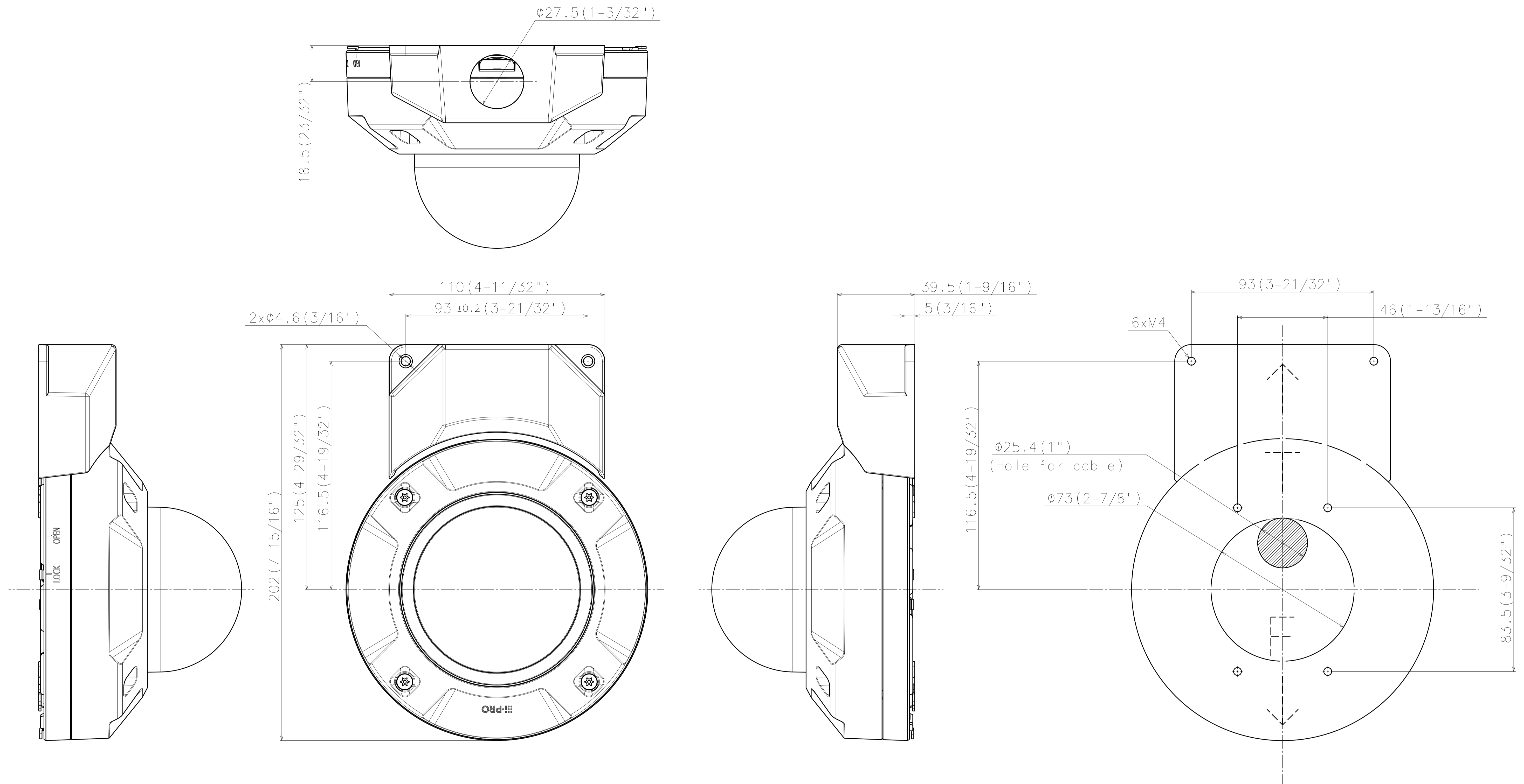


| | |
|---------------|-----------------------------------|
| 側面図/Side-view | 投影面積/Projected area 0.011 (m2) |
|---------------|-----------------------------------|

Mass : Approx. 1.0 kg {2.21 lbs} (When using the Attachment plate)

With Attachment plate

WV-U2542LA

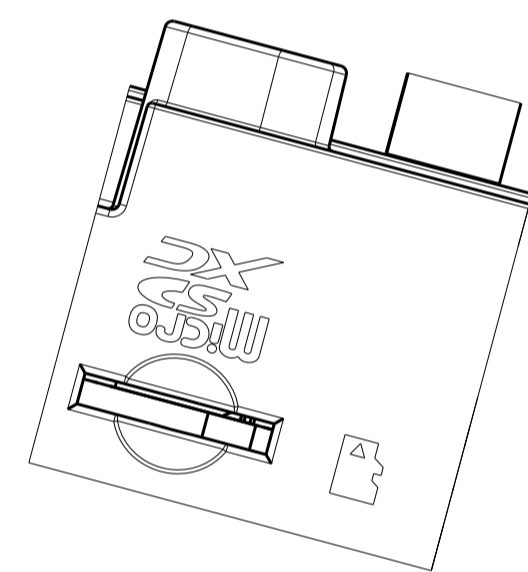


With Attachment for the conduit

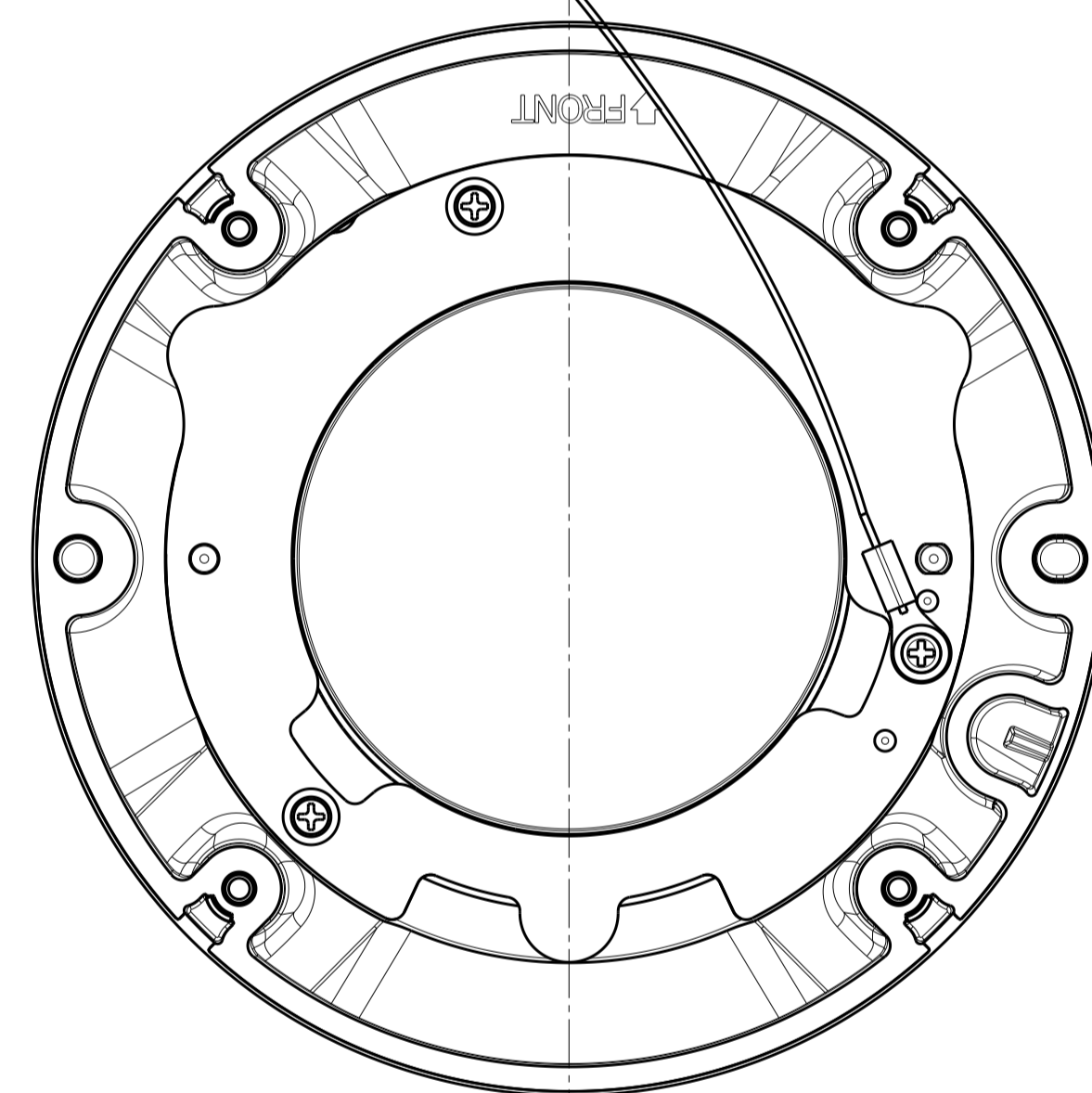
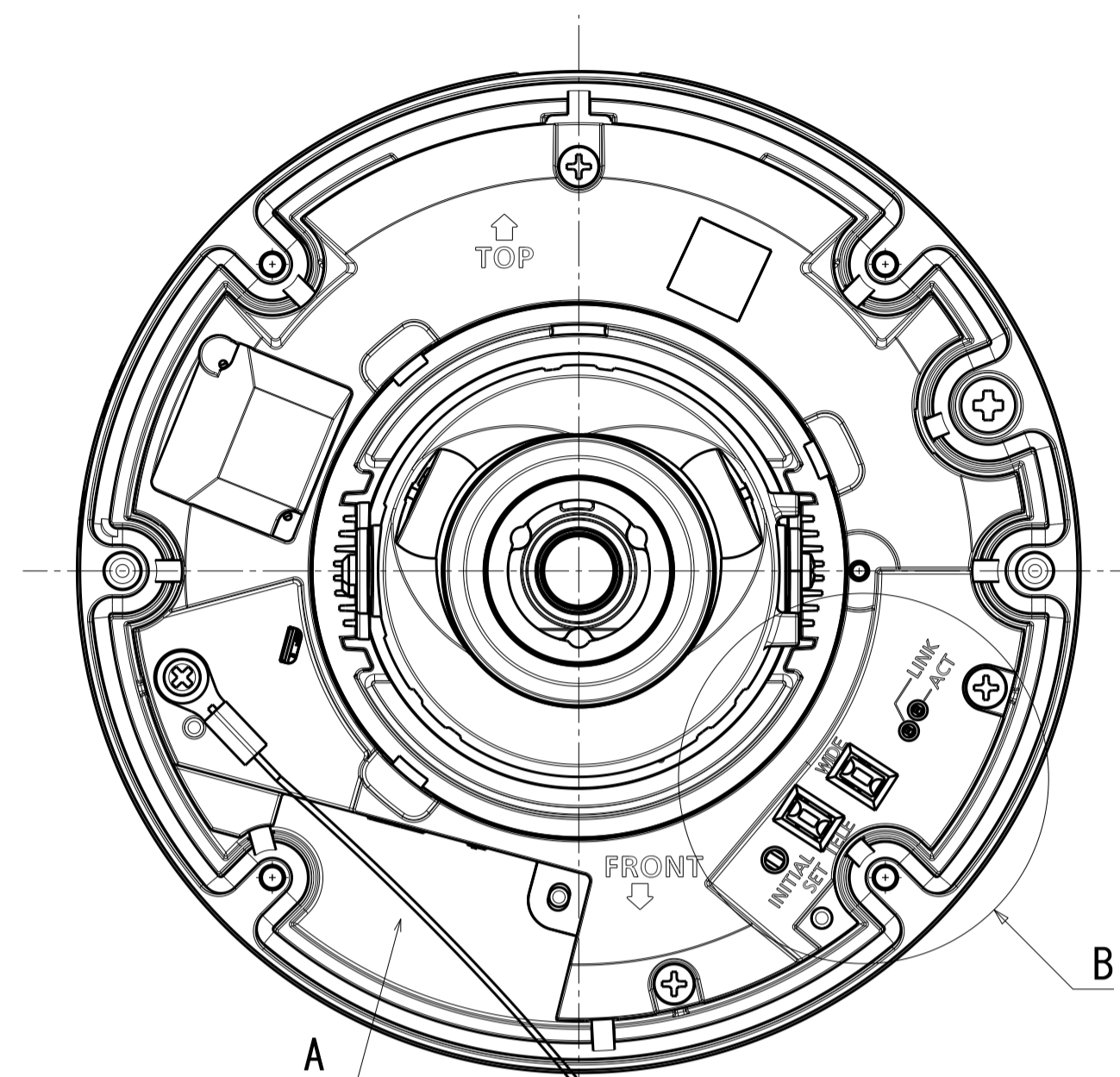
Template for mounting

| | |
|---------------|---------------------|
| 側面図/Side-view | 投影面積/Projected area |
| | 0.013(m2) |

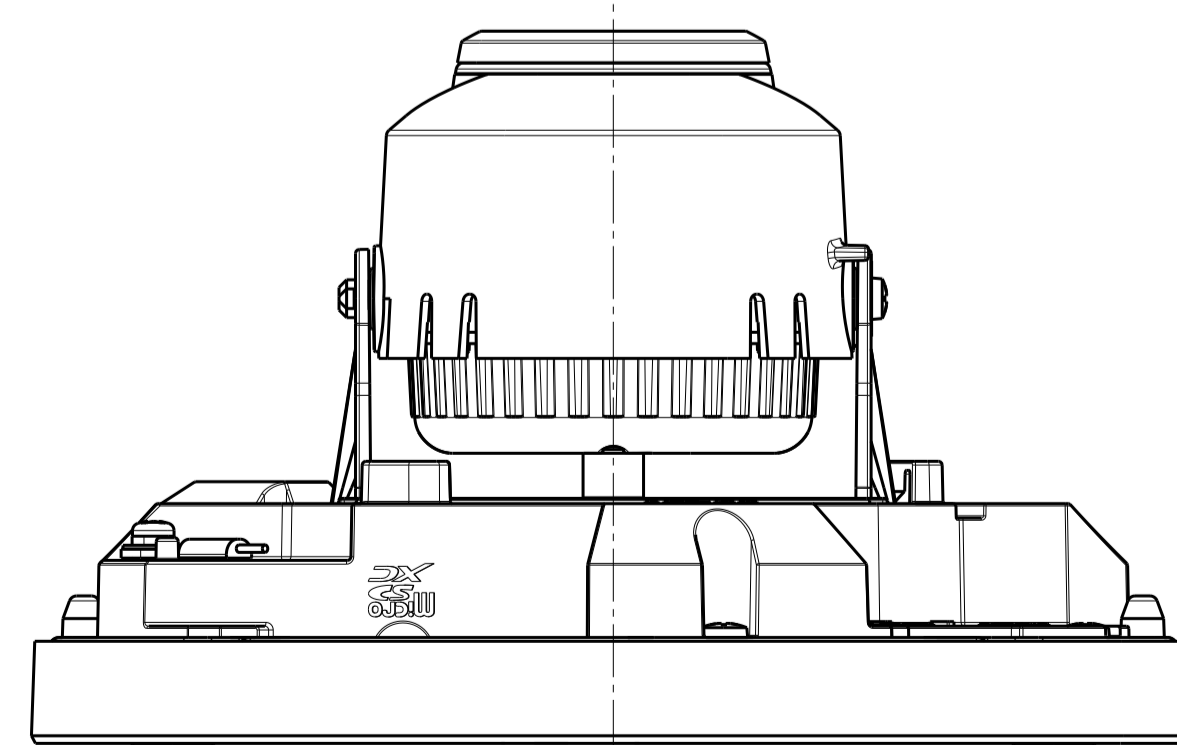
WV-U2542LA



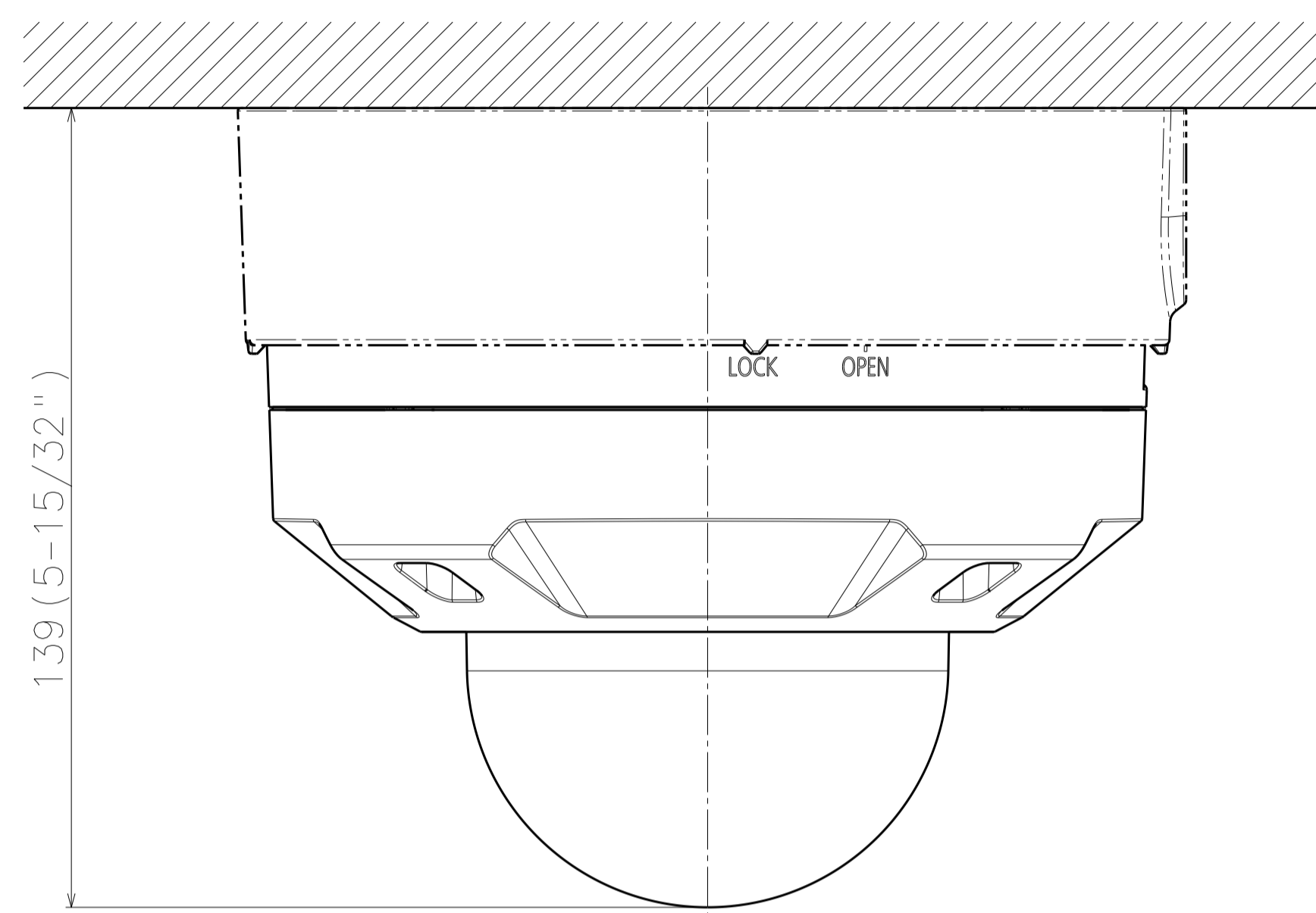
View A (2:1)



Detail B (2:1)

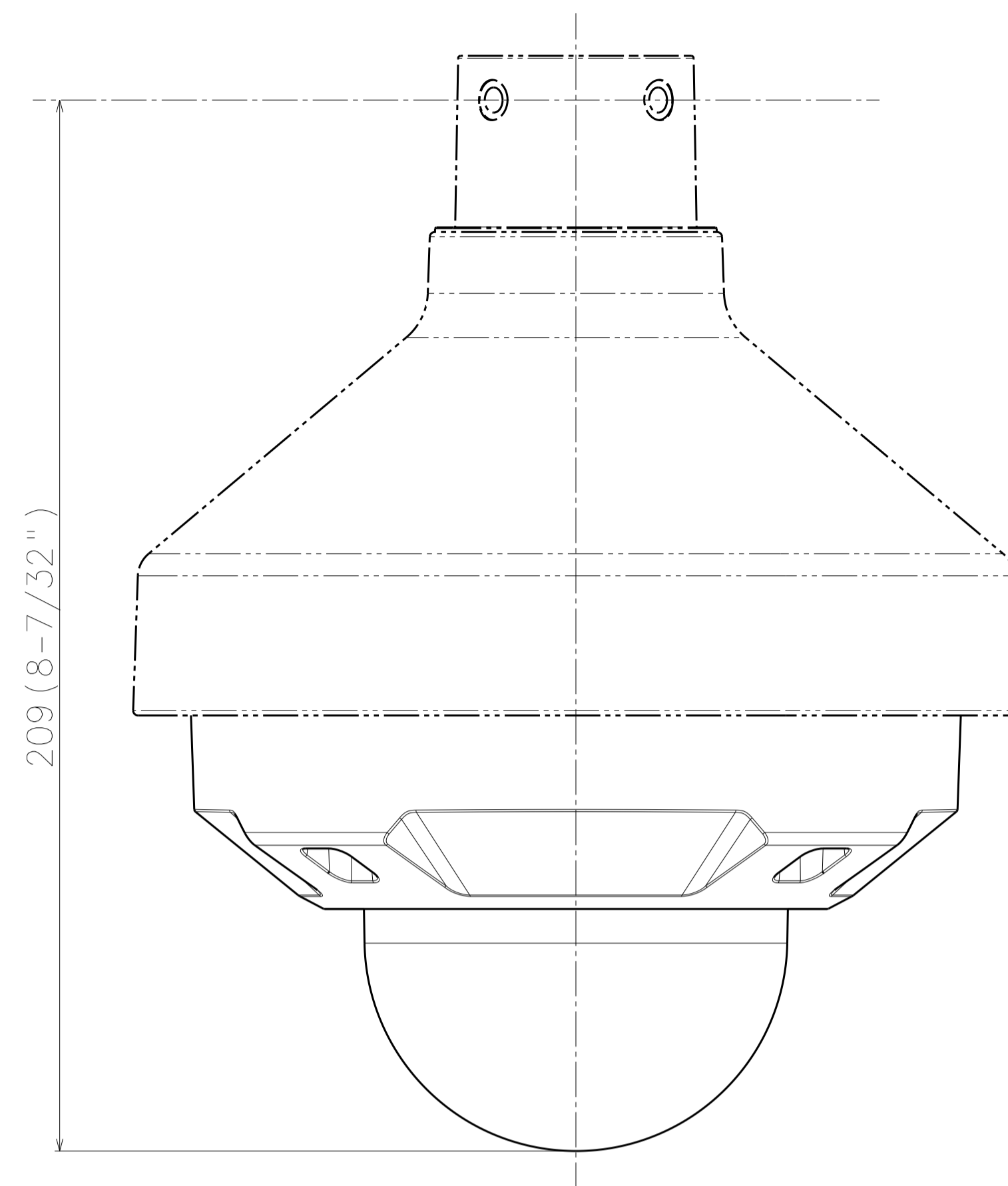


Without Enclosure



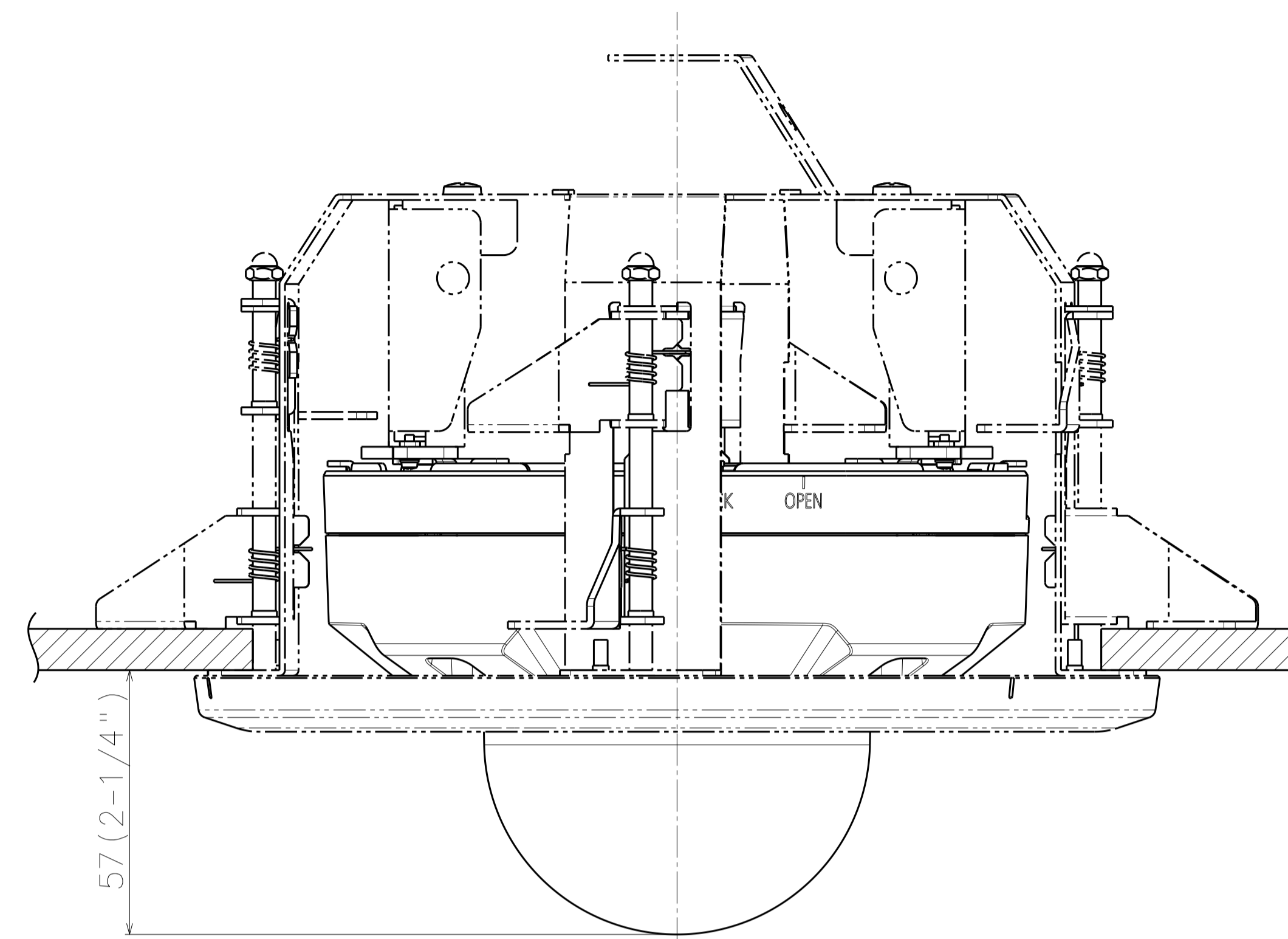
Attach to WV-QJB501-W

| | |
|---------------|-----------------------------------|
| 側面図/Side-view | 投影面積/Projected area 0.017 (m2) |
|---------------|-----------------------------------|

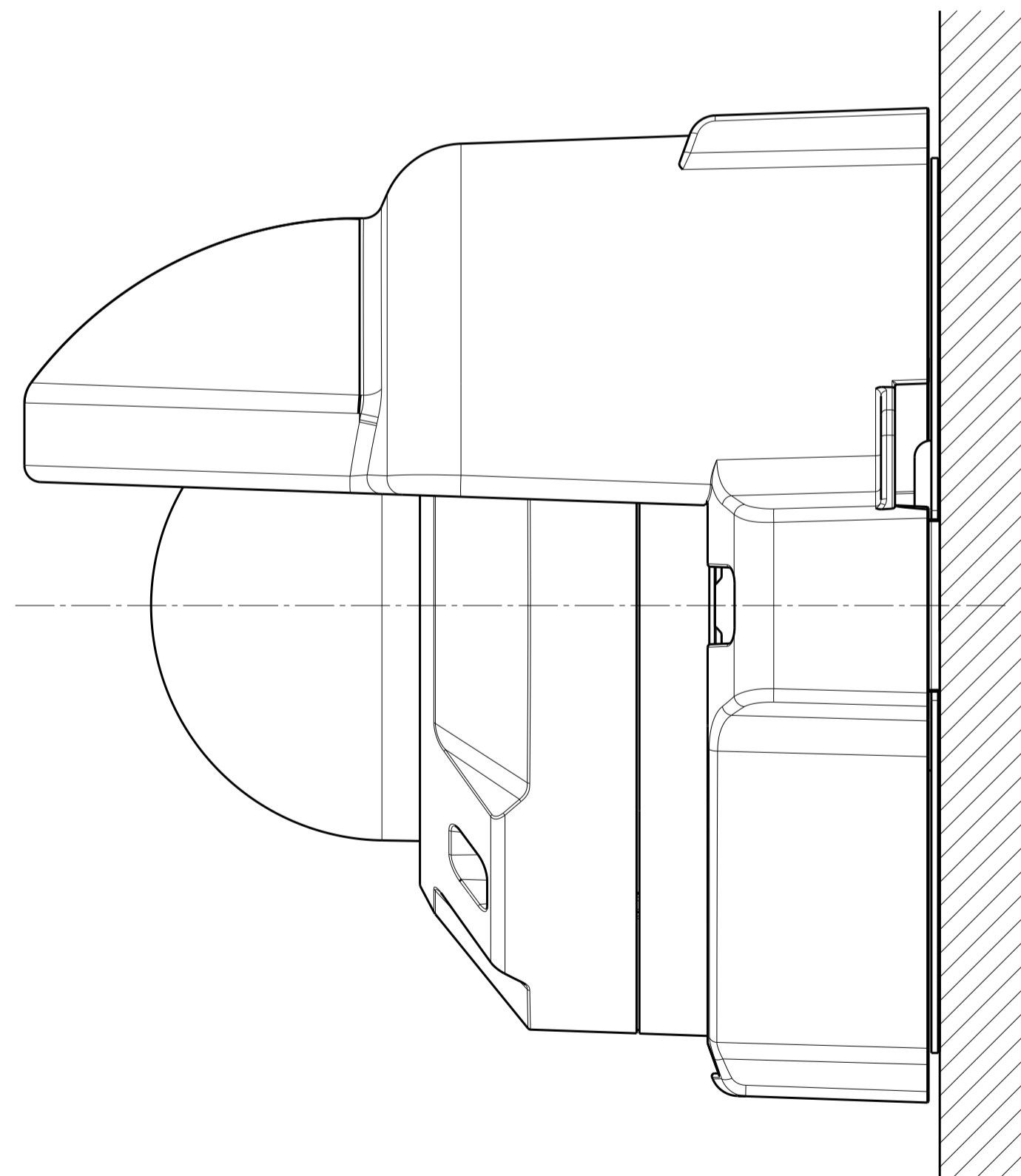


Attach to WV-QSR501-W

| | |
|---------------|-----------------------------------|
| 側面図/Side-view | 投影面積/Projected area 0.021 (m2) |
|---------------|-----------------------------------|

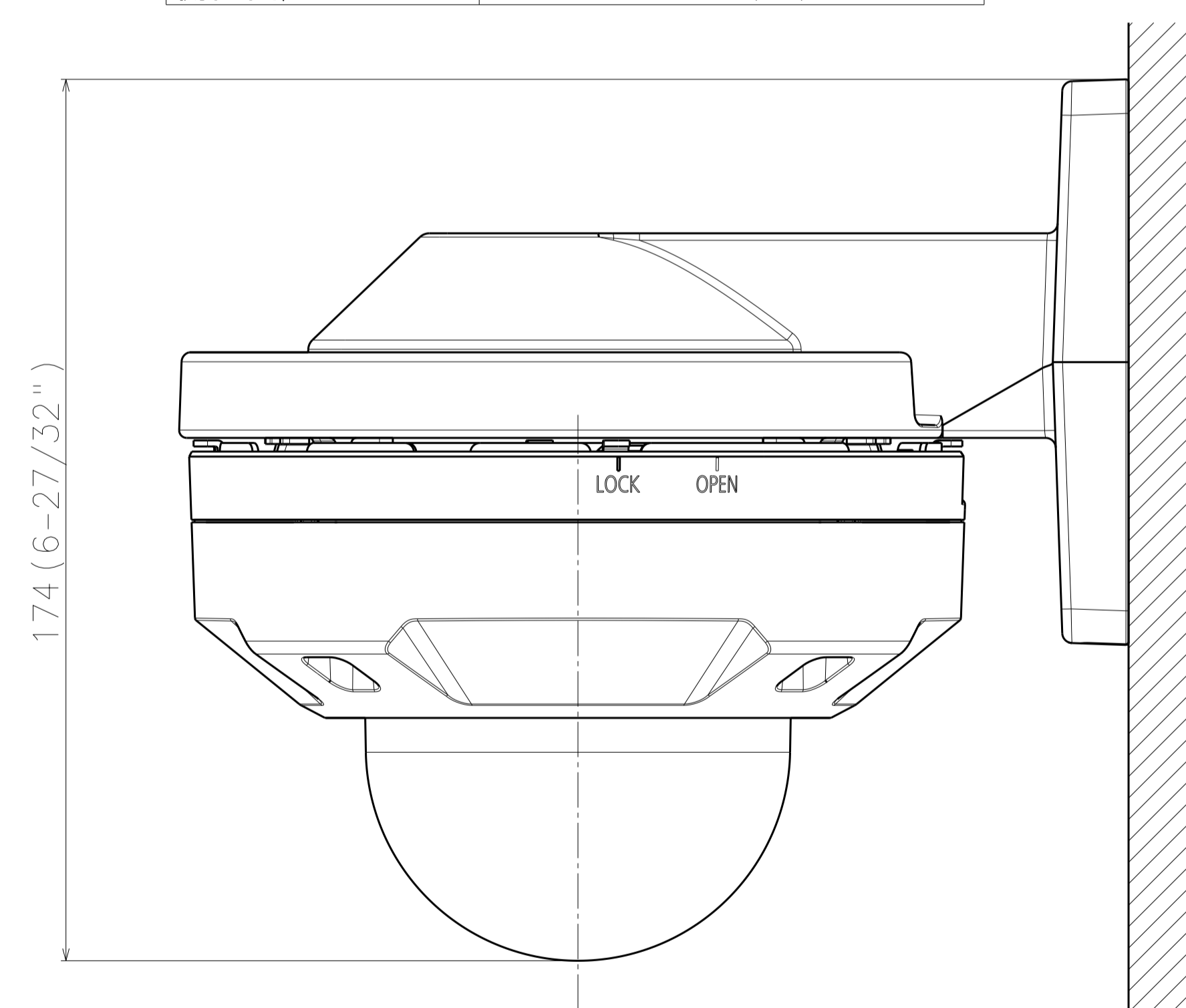


Attach to WV-QEM500-W



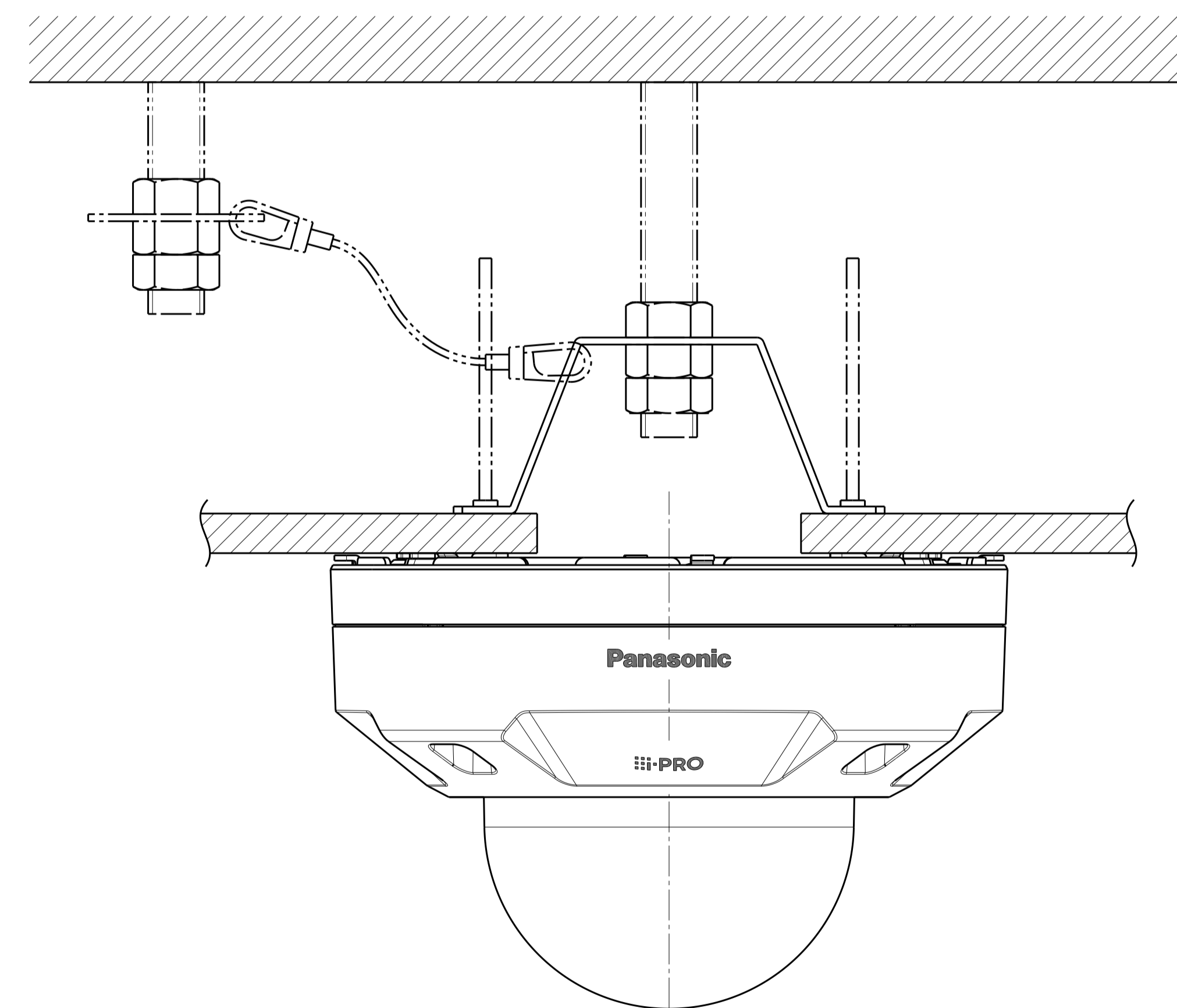
Attach to WV-QJB501-W & WV-QSR500-W

| | |
|---------------|-----------------------------------|
| 側面図/Side-view | 投影面積/Projected area 0.021 (m2) |
|---------------|-----------------------------------|



Attach to WV-QWL500-W

| | |
|---------------|-----------------------------------|
| 側面図/Side-view | 投影面積/Projected area 0.019 (m2) |
|---------------|-----------------------------------|



Attach to WV-Q105A

WV-U2542LA