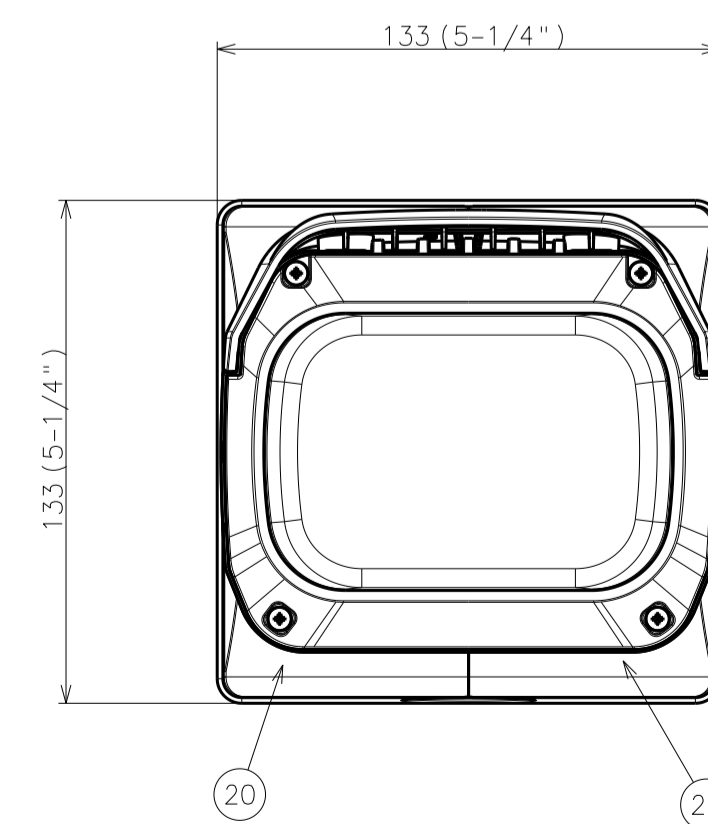
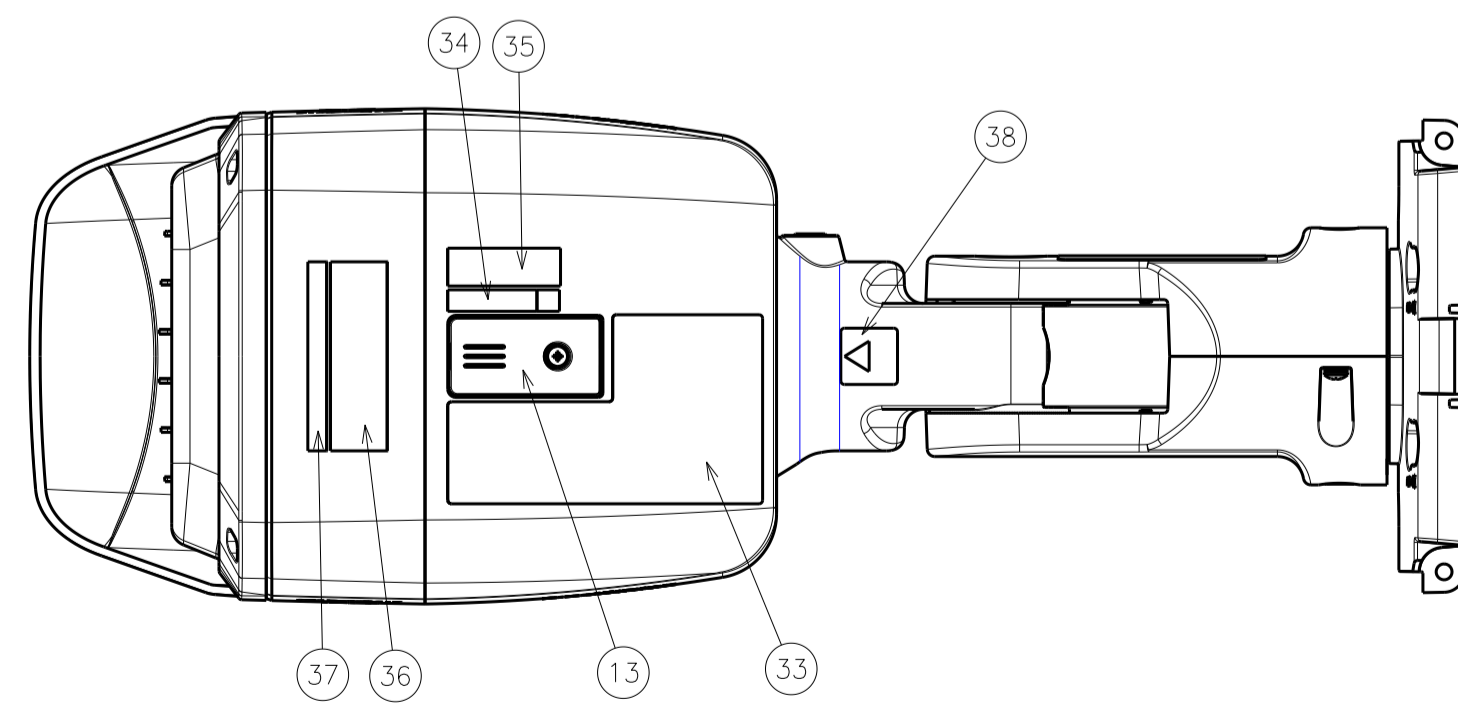
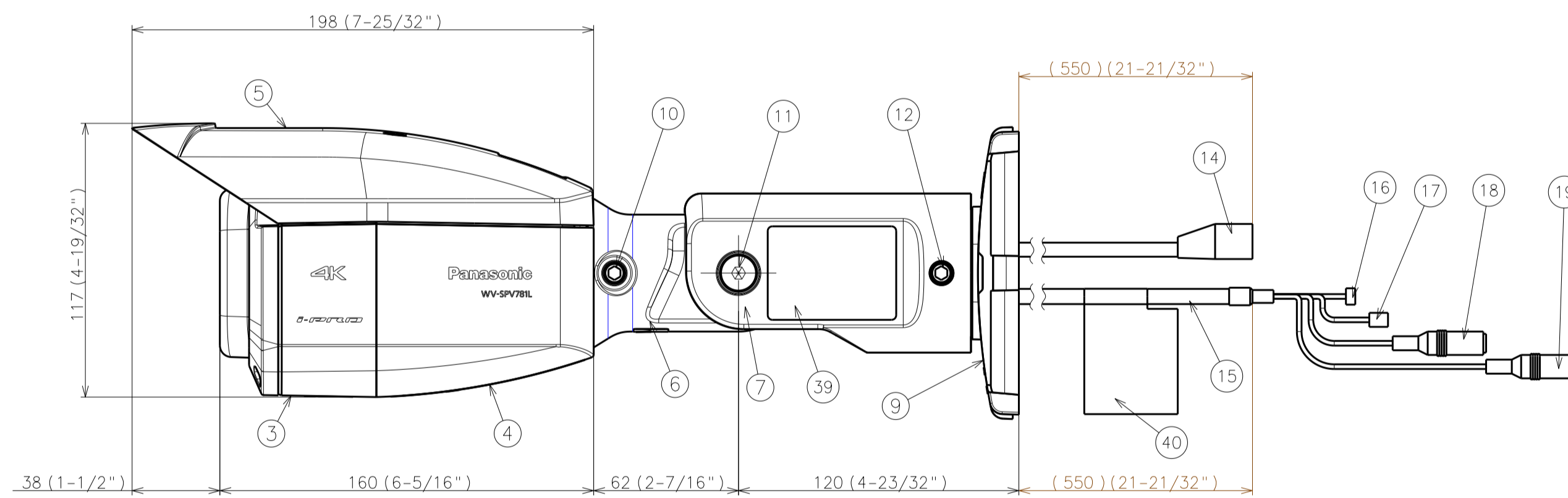
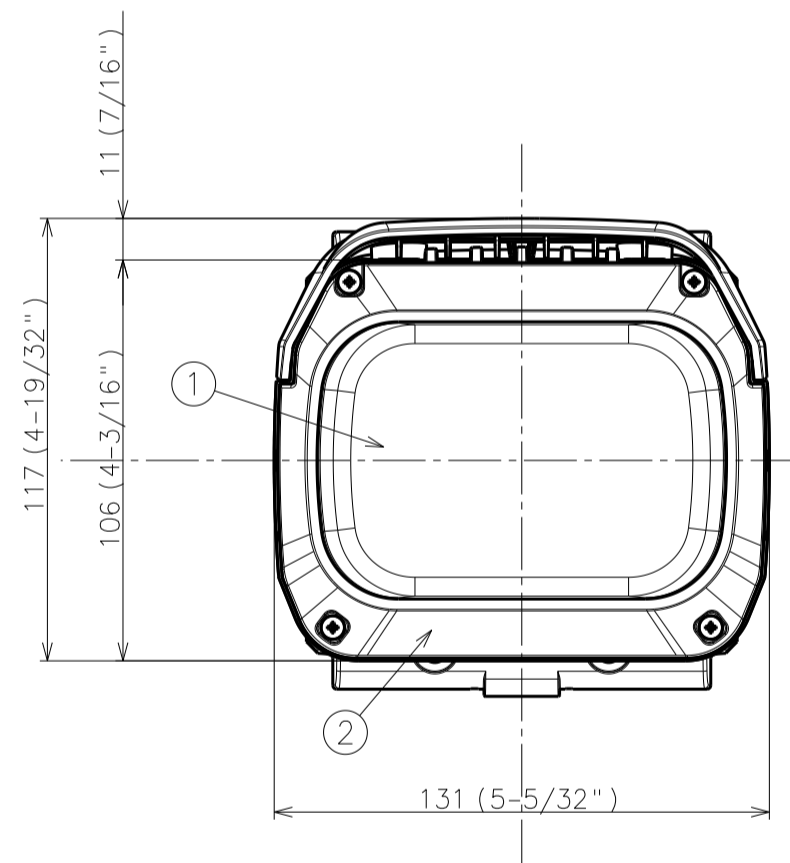
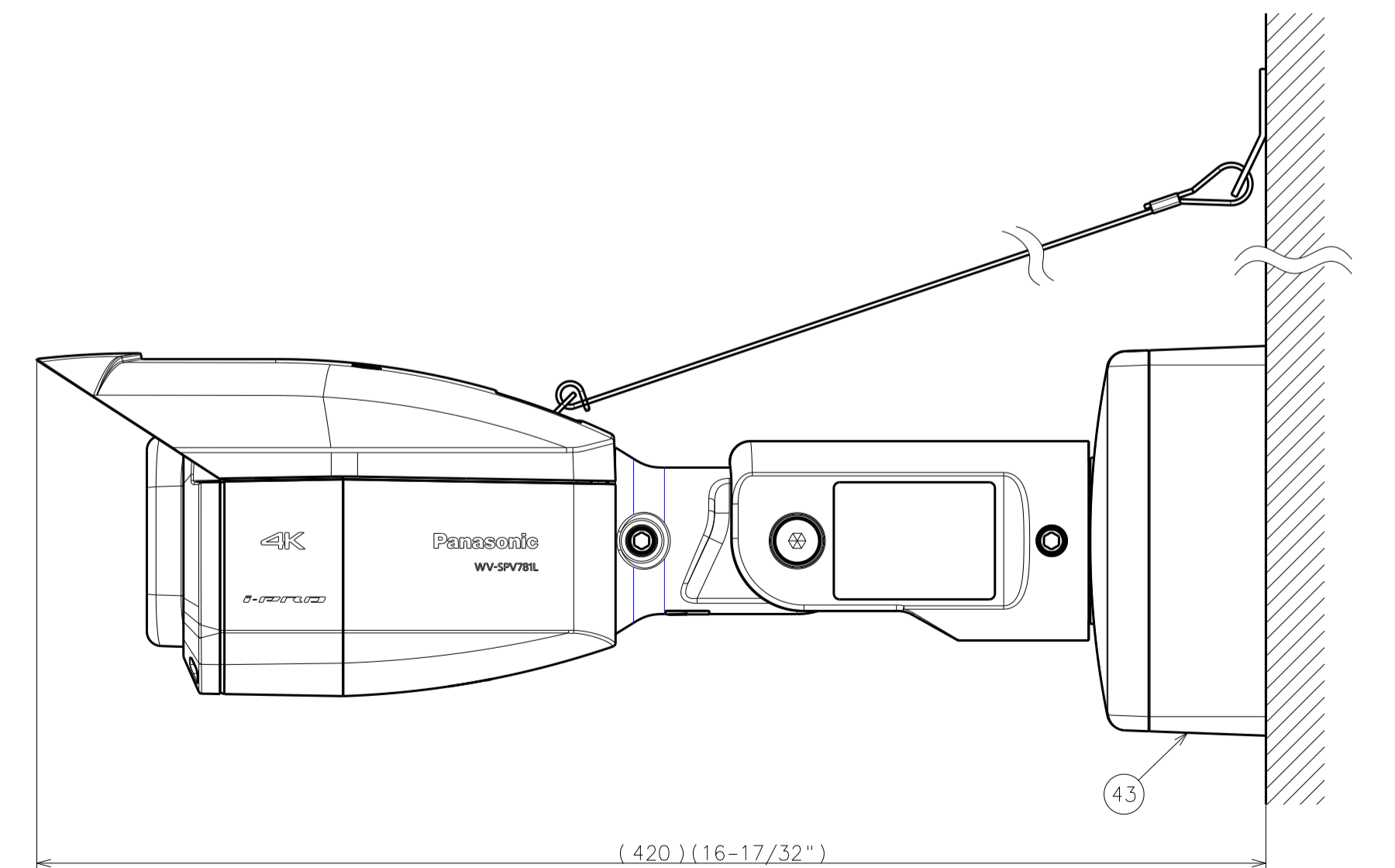
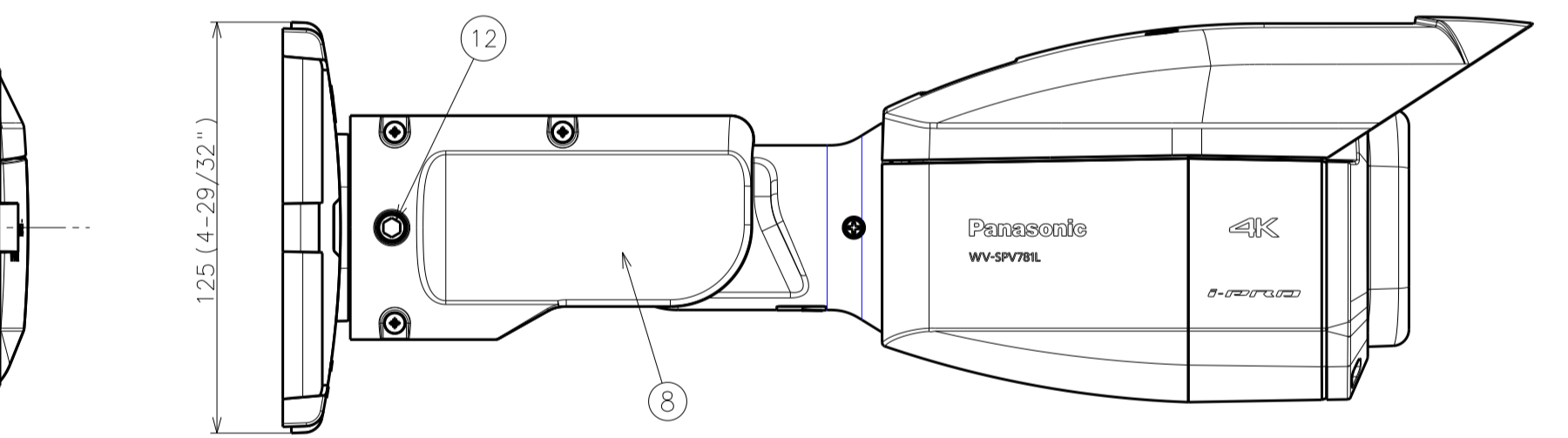


取付穴
Dimension of Mounting holes.
(S=1:1)



No.	Part Name	Material	Process-Remark
1	Lens Cover	PC	Rain wash coating dome Preparation
2	Lens Cover Bracket	Aluminium Alloy Diecasting	Coating(Black)
3	Front Cover	Aluminium Alloy Diecasting	Coating(Silver Metallic)-Printing
4	Main Cover	Aluminium Alloy Diecasting	Coating(Silver Metallic)-Printing
5	Sun Shade	PC+ABS	
6	TILT Angle	Aluminium Alloy Diecasting	Coating(Silver Metallic)
7	PAN Angle B	Aluminium Alloy Diecasting	Coating(Silver Metallic)
8	PAN Angle A	Aluminium Alloy Diecasting	Coating(Silver Metallic)
9	Angle Base	Aluminium Alloy Diecasting	Coating(Silver Metallic)
10	Azimuth adjustment lock screw	SUS	
11	Tilting lock screw	SUS	
12	Panning lock screw	SUS	
13	Rosahl Cover	ASA	Coating(Silver Metallic)
14	Network Cable		
15	Composite Cable		
16	Alarm I/O Cable		
17	Power Cable		
18	Audio/Monitor Out Cable		Black
19	Mic./Line IN Cable		White
20	Support Cover	AES	Coating(Silver Metallic)
21	SD Card Slot		
22	Monitor Out Jack		
23	NTSC/PAL Switch		
24	INITIAL SET Switch		
25	SD ON/OFF Switch		
26	SD MOUNT LED		
27	SD ERROR/AF LED		
28	ACCESS LED(ACT)		
29	LINK LED(LINK)		
30	AF Switch(AF)		
31	WIDE Switch(WIDE)		
32	TELE Switch(TELE)		
33	ENGRAVE PLATE	Polyester Film	Printing
34	Serial Number Label	Polyester Film	Printing
35	Code Label	Polyester Film	Printing
36	Safety Label (Lens Cover)	Polyester Film	Printing
37	Caution Label (MOLD-P)	Polyester Film	Printing
38	Caution Label	Polyester Film	Printing
39	Direction Label	Polyester Film	Printing
40	Cable Label	Polyester Film	Printing
41	Date MatrixLabel	Polyester Film	Printing
42	Switch Label	Polyester Film	Printing
43	Adapter box	Aluminium Alloy Diecasting	Coating(Silver Metallic)



Unit:mm

WV-SPV781L