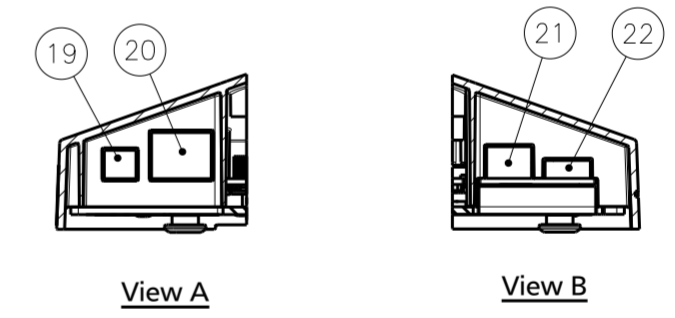
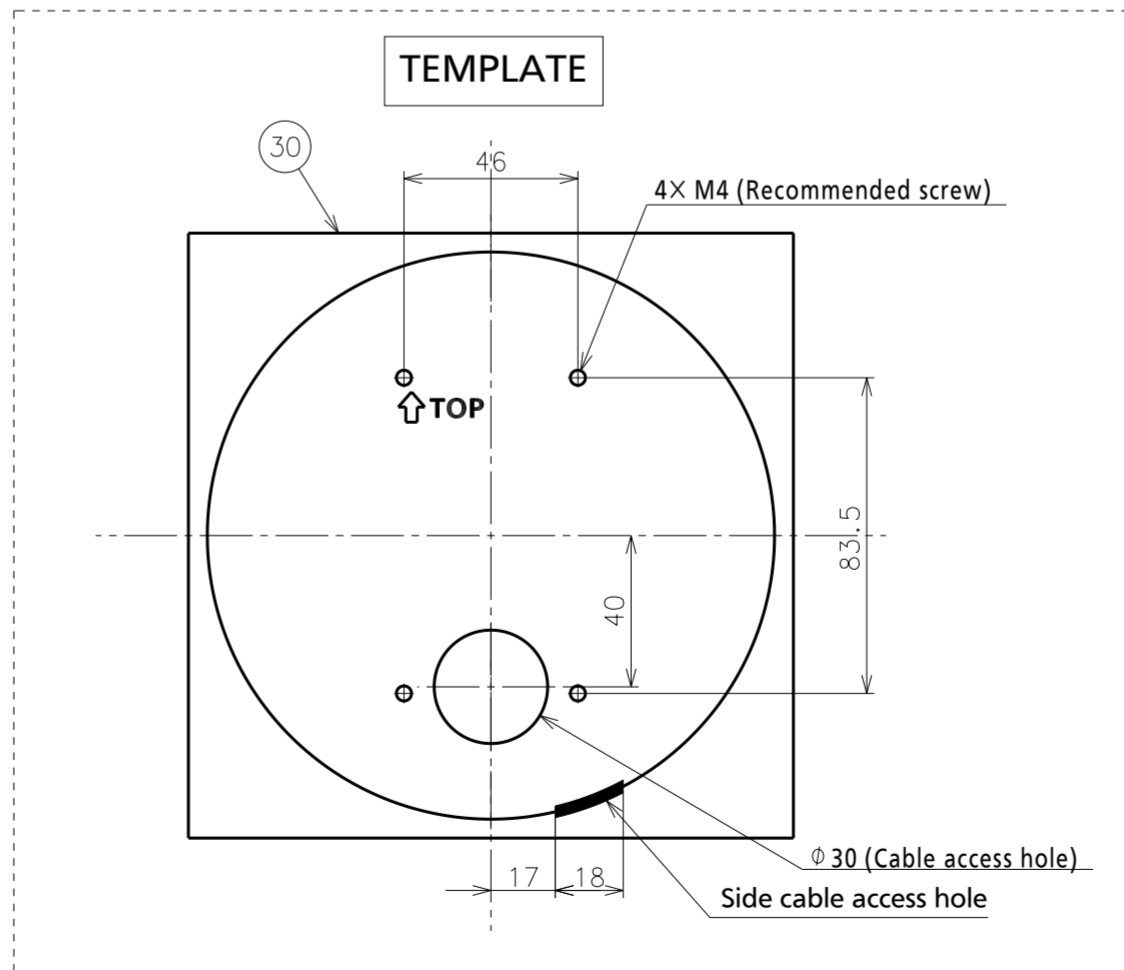


No.	Part Name	QTY	MATERIAL & SIZE	TREATMENT	REMARK
30	TEMPLATE	1	-	-	-
29	SD slot Label	1	Polyester Film	Printing	-
28	VCCI Label	1	Polyester Film	Printing	-
27	FCC ICES-3A Label	1	Polyester Film	Printing	-
26	Serial No. Label	1	Polyester Film	Printing	-
25	Code Label	1	Polyester Film	Printing	-
24	Alarm Label	1	Polyester Film	Printing	-
23	Name Label	1	Polyester Film	Printing	-
22	Audio Cable Connector	1	-	-	-
21	External I/O Terminals	1	-	-	-
20	Network Connector (RJ45)	1	-	-	-
19	12V DC Power Supply Terminal	1	-	-	-
18	Built In Microphone	1	-	-	-
17	Camera Fixing Screw	1	Stainless Steel	-	-
16	Screw Hole For Safety Wire Lug (M2.5)	1	-	-	-
15	Attachment Mounting Screw	3	Stainless Steel	-	-
14	Attachment Plate	1	Stainless Steel	-	-
13	Bottom Plate	1	-	-	-
12	INITIAL SET button	1	-	-	-
11	Access LED (ACT)	1	-	-	-
10	Link LED (LINK)	1	-	-	-
9	SD ERROR/ABF LED	1	-	-	-
8	SD MOUNT LED	1	-	-	-
7	SD ON/OFF button	1	-	-	-
6	SD CARD Slot	1	-	-	-
5	SD Slot Cover Fixing Screw	1	Steel	-	-
4	SD Slot Cover	1	ABS(Sail white)	-	-
3	Camera Fixing Screw Cover	1	ABS(Sail white)	-	-
2	Upper Case	1	ABS(Sail white)	Printing	-
1	Lens	1	-	-	-



WV-X4171UYS