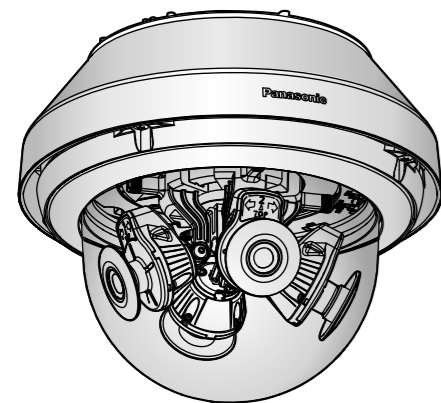


Installation Guide

Included Installation Instructions For installation constructor only

Network Camera

Model No. WV-X8570N / WV-S8530N



WV-X8570N



- Before attempting to connect or operate this product, please read these instructions carefully and save this manual for future use.
- For information about the basic description of this product, refer to the Important Information on the provided CD-ROM. For information about how to perform the settings and how to operate the camera, refer to the Operating Instructions on the following Panasonic support web site. <https://security.panasonic.com/download/>
- Before reading this manual, be sure to read the Important Information.
- The model number is abbreviated in some descriptions in this manual.

For U.S. and Canada:

Panasonic Corporation of North America
Two Riverfront Plaza, Newark, NJ 07102-5490
1-877-495-0580
<http://business.panasonic.com/>

Panasonic Canada Inc.
5770 Ambler Drive, Mississauga, Ontario, L4W 2T3 Canada
1-877-495-0580
<https://www.panasonic.com/ca/>

For Europe and other countries:

Panasonic Corporation
<http://www.panasonic.com>


Panasonic Corporation
Osaka, Japan
Authorised Representative in EU:
Panasonic Testing Centre
Panasonic Marketing Europe GmbH
Winsberggring 15, 22525 Hamburg, Germany



© Panasonic Corporation 2018

av50518-3078 PGQX2237WA Printed in China

Important safety instructions

- Read these instructions.
 - Keep these instructions.
 - Heed all warnings.
 - Follow all instructions.
 - Do not block any ventilation openings. Install in accordance with the manufacturer's instructions.
 - Do not install near any heat sources such as radiators, heat registers, stoves, or other apparatus (including amplifiers) that produce heat.
 - Only use attachments/accessories specified by the manufacturer.
 - Use only with the cart, stand, tripod, bracket, or table specified by the manufacturer, or sold with the apparatus. When a cart is used, use caution when moving the cart/apparatus combination to avoid injury from tip-over.
- 
- Unplug this apparatus during lightning storms or when unused for long periods of time.
 - Refer all servicing to qualified service personnel. Servicing is required when the apparatus has been damaged in any way, such as power-supply cord or plug is damaged, liquid has been spilled or objects have fallen into the apparatus, the apparatus has been exposed to rain or moisture, does not operate normally, or has been dropped.

Troubleshooting

Before requesting service, refer to the Important Information (included in the CD-ROM) and "Troubleshooting" in the Operating Instructions on the Panasonic support web site and confirm the trouble.

Open Source Software

- This product contains open source software licensed under GPL (GNU General Public License), LGPL (GNU Lesser General Public License), etc.
- Customers can duplicate, distribute and modify the source code of the software under license of GPL and/or LGPL.
- Refer to the "readme.txt" file on the provided CD-ROM for further information about open source software licenses and the source code.
- Please note that Panasonic shall not respond to any inquiries regarding the contents of the source code.

WARNING:

- To prevent injury, this apparatus must be securely attached to the wall/ceiling in accordance with the installation instructions.
- All work related to the installation of this product should be made by qualified service personnel or system installers.
- The installation shall be carried out in accordance with all applicable installation rules.
- The connections should comply with local electrical code.
- Batteries (battery pack or batteries installed) shall not be exposed to excessive heat such as sunlight, fire or the like.

CAUTION:

- Any changes or modifications not expressly approved by the party responsible for compliance could void the user's authority to operate the equipment.
- The network camera is only intended for a connection to an ethernet or PoE network without routing to the outside plant.
- Alarm I/O cable / Audio input cable with ferrite core must be used for EMS (Electromagnetic Susceptibility).

For Canada
CAN ICES-3(A)/NMB-3(A)

: Direct current symbol

Disposal of Old Equipment and Batteries

Only for European Union and countries with recycling systems



These symbols on the products, packaging, and/or accompanying documents mean that used electrical and electronic products and batteries must not be mixed with general household waste. For proper treatment, recovery and recycling of old products and used batteries, please take them to applicable collection points in accordance with your national legislation.



By disposing of them correctly, you will help to save valuable resources and prevent any potential negative effects on human health and the environment. For more information about collection and recycling, please contact your local municipality. Penalties may be applicable for incorrect disposal of this waste, in accordance with national legislation.



Note for the battery symbol (bottom symbol)
This symbol might be used in combination with a chemical symbol. In this case it complies with the requirement set by the Directive for the chemical involved.

The model number and serial number of this product may be found on the surface of the unit. You should note the model number and serial number of this unit in the space provided and retain this book as a permanent record of your purchase to aid identification in the event of theft.

Model No. _____
Serial No. _____

For U.S.A.
NOTE: This equipment has been tested and found to comply with the limits for a Class A digital device, pursuant to Part 15 of the FCC Rules. These limits are designed to provide reasonable protection against harmful interference when the equipment is operated in a commercial environment. This equipment generates, uses, and can radiate radio frequency energy and, if not installed and used in accordance with the instruction manual, may cause harmful interference to radio communications. Operation of this equipment in a residential area is likely to cause harmful interference in which case the user will be required to correct the interference at his own expense.

FCC Caution: To assure continued compliance, (example - use only shielded interface cables when connecting to computer or peripheral devices). Any changes or modifications not expressly approved by the party responsible for compliance could void the user's authority to operate this equipment.

About notations

The following notations are used when describing the functions limited for specified models. The functions without the notations are supported by all models.

- X8570**: The functions with this notation are available when using the model WV-X8570N.
- S8530**: The functions with this notation are available when using the model WV-S8530N.

About the user manuals

Product documentation is composed of the following documents.

- Installation Guide (this document):** Explains installation, mounting, cable connections, and adjusting the field of view. This manual uses the WV-X8570N as an example in the explanations.
- Important Information (included in the CD-ROM):** Provides basic information about the product such as Precautions for installation, Parts and functions, etc..
- Operating Instructions (on the Panasonic support web site):** Explains how to perform the settings and how to operate this camera.

Note:

- The external appearance and other parts shown in this manual may differ from the actual product within the scope that will not interfere with normal use due to improvement of the product.
- <Control No.:*****> used in this document should be used to search for information on the Panasonic support website and will guide you to the right information.

Standard accessories

Installation Guide (this document).....1 set	CD-ROM ²1 pc.
IMPORTANT SAFETY INSTRUCTIONS.....1 pc.	Code label ³1 pc.
Warranty card ¹1 set	ClearSight coating label ⁴1 sheet

- ¹ This product comes with several types of warranties. Each warranty is only applicable to the products purchased in the regions indicated on the relevant warranty.
- ² The CD-ROM contains the operating instructions and different kinds of tool software programs.
- ³ This label may be required for network management. Use caution not to lose this label.
- ⁴ Attach the label carried by the camera to the surface of the production.

The following parts are used during installation procedures.

Base bracket.....1 pc.	RJ45 waterproof connector cover.....1 pc.
Attachment plate.....1 pc.	RJ45 waterproof connector cap.....1 pc.
Fixing screws for attachment plate (M4 × 8 mm [5/16 inches]).....5 pcs.	Bit (Hex wrench, screw size 6.35 mm [1/4 inches] T20).....1 pc.
(of them, 1 for spare)	4P alarm cable X85701 pc.
Template A (for the attachment plate).....1 sheet	Auxiliary handle S85301 pc.
Template B (for the base bracket).....1 sheet	Wire lug plate.....1 pc.
Ferrite core X85701 pc.	Extended safety wire.....1 pc.
Waterproof tape.....1 pc.	

* The auxiliary handle is attached near camera 3 on the PAN table.

Preparations

Prepare the required parts for each installation method before starting the installation.

Installation method	Description of installation method
Mount the camera on the two-gang junction box using the attachment plate (accessory).	[Type 1]
Directly mount the camera onto the ceiling using the attachment plate (when wiring can be installed in the ceiling).	[Type 2]
Mount the camera onto the ceiling using the base bracket (accessory) (when conduits are used for wiring, or when there is no space available for wiring in the ceiling).	[Type 3]
Install by combining WV-Q187 (mount bracket) with WV-Q185 or WV-Q122A (wall mount bracket).	[Type 4]

IMPORTANT:

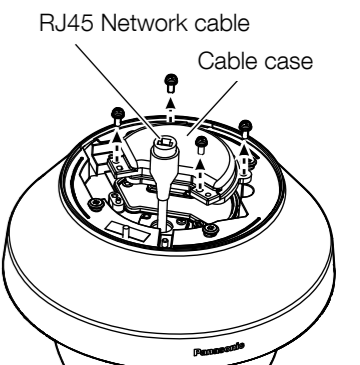
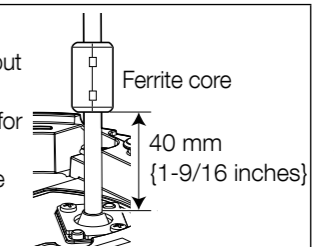
- Turn off each system's power supply (PoE hub, etc.) before starting the installation.
- [Type 1] [Type 2] [Type 3]**
 - Procure 4 screws (M4) to secure the base bracket or the attachment plate to a ceiling.
 - The minimum required pull-out capacity of a single screw or anchor bolt is 539 N [121 lbf] or more.
 - Select screws according to the material of the location that the camera will be mounted to. In this case, wood screws and nails should not be used.
 - If the mounting location such as plaster board is too weak to support the total weight, the area shall be sufficiently reinforced.
- [Type 4]**
 - For further information about the fixing screw and the anchor bolt, refer to the manual of each bracket.

Preparation for cable connection **X8570**

When using the alarm I/O cable or the audio input cable, remove the cable case fixed by 4 screws at the upper side of the camera and pull out the alarm I/O cable and the audio input cable stored inside.

IMPORTANT:

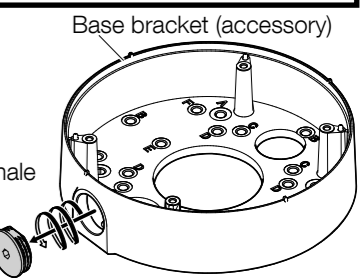
- Alarm I/O cable / Audio input cable with the ferrite core (accessory) must be used for EMS (Electromagnetic Susceptibility). (Refer to the right illustration)



Remove the cap for the female thread for the conduit

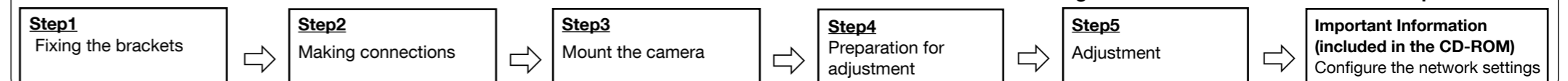
When using the conduit on the ceiling for wiring, remove the cap for the female thread for the conduit by using a hexagon wrench (ISO 2936, width across flats S=5 mm [3/16 inches] · locally procured).

The female thread for conduit is compliant with ANSI NPSM (parallel pipe threads) 3/4 or ISO 228-1 (parallel pipe threads) G3/4.



Installation

The installation tasks are explained using 5 steps.

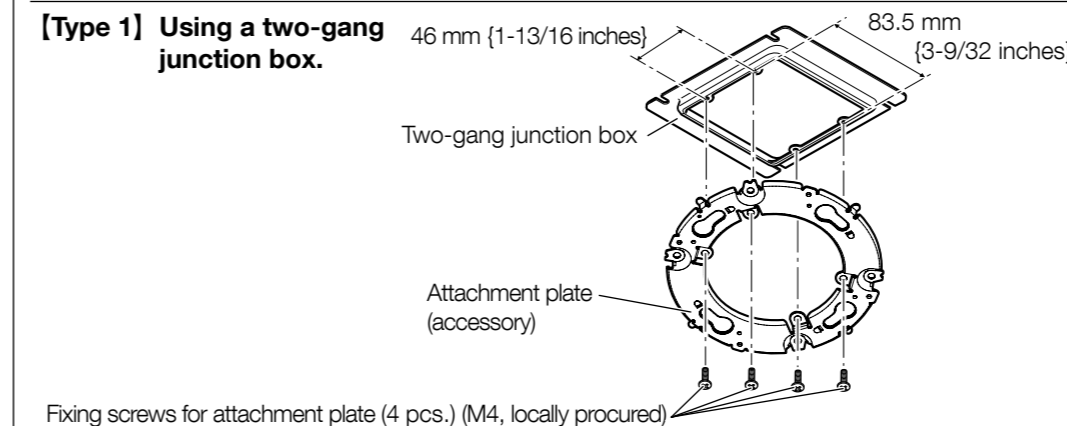


Remove the camera using the reverse order of the installation procedures.

Step 1 Fixing the brackets (Install the attachment bracket and the base bracket) *There are 4 methods to install the camera to a ceiling or wall.

- Attach the attachment plate (accessory) so that the marking (PGYE1054) faces toward the ceiling to be installed.

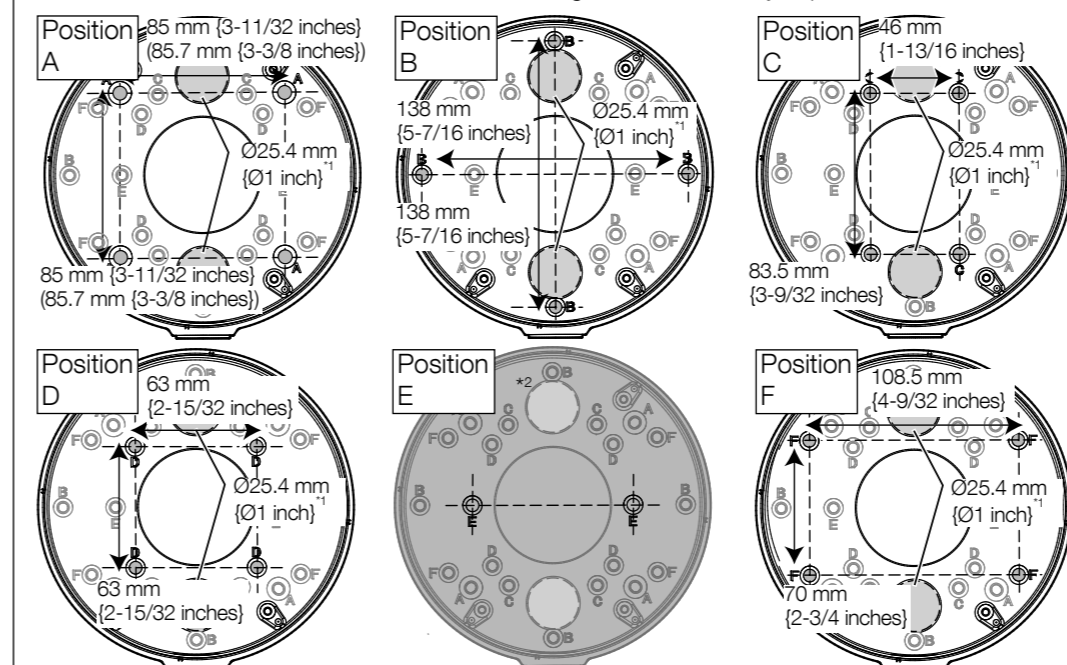
[Type 1] Using a two-gang junction box.



[Type 3] Mount the camera to a ceiling using base bracket (accessory).

① Using the template B (accessory), make screw holes for fixing the base bracket and wiring holes.

The base bracket can be fixed in any of the following 5 screwing positions according to ceiling and wall conditions. Match the hole used when installing the camera to any of positions A to D, F.



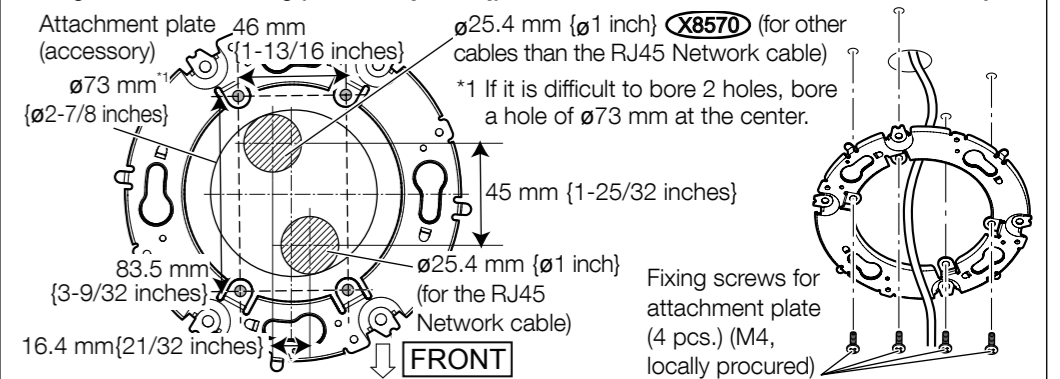
- ¹ Select any of the two wiring holes of template B (accessory) when installing the base bracket.
- ² When installing the camera, do not use Position E.

[Type 4] Install on a wall by combining WV-Q187 (optional mount bracket) with WV-Q185 or WV-Q122A (optional wall mount bracket).

- Install the attachment plate (accessory) onto WV-Q187 using the fixing screws for the attachment plate (4 pcs.) (accessory). (Recommended tightening torque: 0.78 N·m [0.58 lbf·ft])
- Fix at the installation place by combining each bracket.

* Refer to the manual of each bracket for how to attach the bracket.

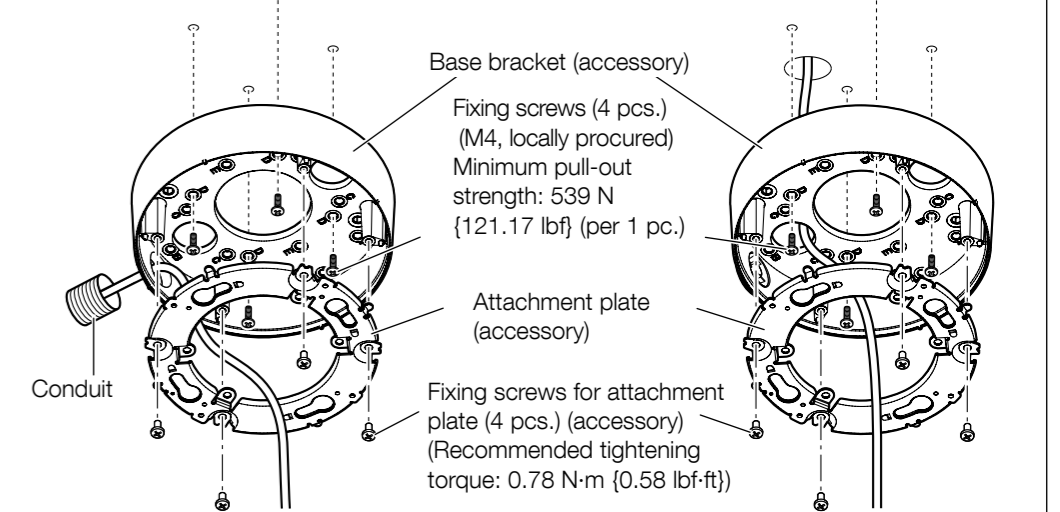
[Type 2] Directly mount the camera to the ceiling using the attachment plate.
Align the "FRONT" direction of the template A (accessory) with the desired direction (direction of Panasonic logo on the camera when installing a camera), bore holes for screws or anchors on the ceiling, and holes for wiring (ø25.4 mm [ø1 inch]) as occasion demands. Then, fix the attachment plate.



② Mount the attachment plate and the base bracket.

<When using the conduit on the ceiling for wiring>

<When drilling a hole through the ceiling for wiring>



IMPORTANT:

- If open wiring is conducted, be sure to use conduits and run the cables inside the tubes to protect the cables from direct sunlight.
- Installation work shall be such that there is no exposure to water into the architecture through the conduits having been joined.

